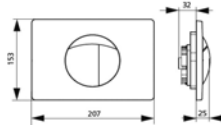


90750.00.0000

995/N FLOOR MOUNTED FRONT OPERATED CONCEALED WC CISTERN

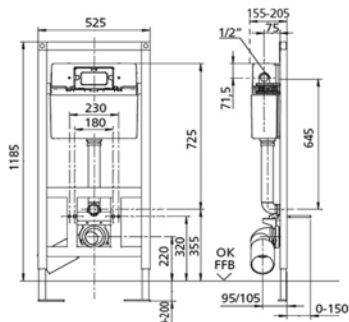
- : self-supporting powder coated steel frame, for covering with plasterboard
- : 4-point fastening, 1185 x 525mm for WALL-MOUNTED W.C.
- : pre-assembled including support feet, fastening set
- : with insulation against condensation with dual flush (6/3L), float valve, angle valve 1/2", 90o flush bend DN80/DN100, connection set DN80 180mm length tiling set, 2 bolts M12 for fastening WC, mounting instructions
- : 0-200mm adjustment range for feet between unfinished floor level and upper edge of finished floor level
- : 175-200mm adjustment range from wall



16701.93.0000

WC DUAL FLUSH ACTUATOR FOR CONCEALED CISTERNS

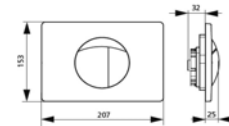
- : chrome matt finish



90750.00.0000

995/N FLOOR MOUNTED FRONT OPERATED CONCEALED WC CISTERN

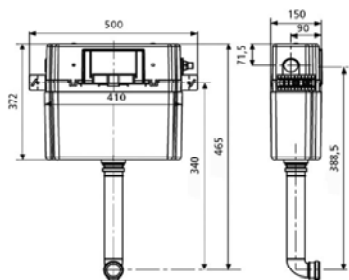
- : self-supporting powder coated steel frame, for covering with plasterboard
- : 4-point fastening, 1185 x 525mm for WALL-MOUNTED W.C.
- : pre-assembled including support feet, fastening set
- : with insulation against condensation with dual flush (6/3L), float valve, angle valve 1/2", 90o flush bend DN80/DN100, connection set DN80 180mm length tiling set, 2 bolts M12 for fastening WC, mounting instructions
- : 0-200mm adjustment range for feet between unfinished floor level and upper edge of finished floor level
- : 175-200mm adjustment range from wall



16701.81.0000

WC DUAL FLUSH ACTUATOR FOR CONCEALED CISTERNS

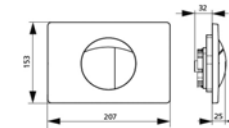
- : chrome finish



95703.00.000

983N WALL MOUNTED FRONT OPERATED CONCEALED CISTERN

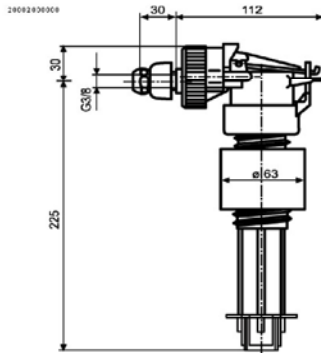
- : concealed cistern with insulation against condensation for FLOOR-MOUNTED W.C.
- : dual flush (6/3L)
- : with float valve, angle valve, tiling set, without fastening material



16701.93.0000

WC DUAL FLUSH ACTUATOR FOR CONCEALED CISTERNS

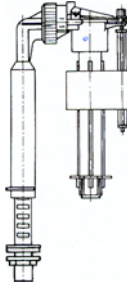
- : chrome matt finish



20002.00.0000

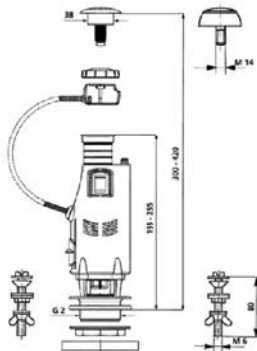
506 universal float valve

3/8", quickly acting, hydraulic closing system, low noise < 20 dB, can be used with all types of plastic cisterns



24011.00.0000

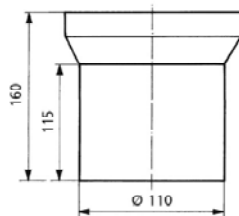
500U universal float valve



93603.81.0000

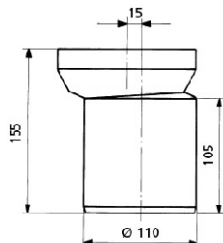
dual flush mechanism

adjustable, water saving device, 2 defined flushes (9/3 ltrs. or 6/3 ltrs.), chromium plated push button for closecoupled ceramic cisterns with cover holes Ø 18 mm and Ø 38 mm, with seal and fixing set, tested according to DIN EN 997



58201.01.0000

straight w.c. connecto



58206.01.0000

offset w.c. connector