



**CONCEALED URINAL FLASH VALVE**


01120 SCHELL COMPACT rough-in set for infrared radar or mechanical actuation universal **concealed part** for **urinals** with rear inlets consisting of :  
 plastic base-set housing, pre-assembled pipe, through-flush plug, isolating valve and cover  
 : 0.5 to 5 bar flow pressure, 0.3 L/s flow rate

01121 SCHELL COMPACT **infrared 230V finish set** consisting of :  
 mounting frame with electronic module, front plate with sensor window, 230V mains plug, cartridge solenoid valve with pre-filter, diagnostic lamps and program switch

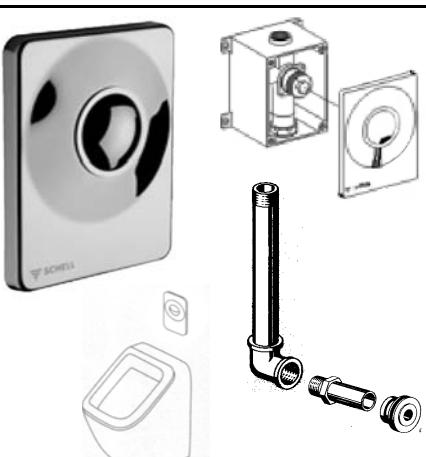
03105 urinal inlet connection kit, f32 - 38mm  
 03208 connection pipe, used between concealed flush valve & inlet connection kit



01120 SCHELL COMPACT rough-in set for infrared radar or mechanical actuation universal **concealed part** for **urinals** with rear inlets consisting of :  
 plastic base-set housing, pre-assembled pipe, through-flush plug, isolating valve and cover  
 : 0.5 to 5 bar flow pressure, 0.3 L/s flow rate

01123 SCHELL COMPACT VERONA **infrared battery operated finish set** consisting of :  
 mounting frame with electronic module, front plate with sensor window, battery compartment with 9V alkaline battery, cartridge solenoid valve with pre-filter, diagnostic lamps and diode for battery power level

03105 urinal inlet connection kit, f32 - 38mm  
 03208 connection pipe, used between concealed flush valve & inlet connection kit

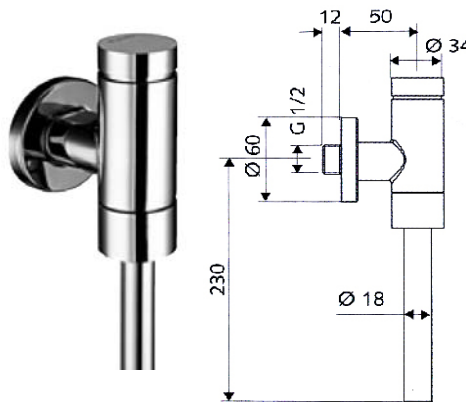


01120 SCHELL COMPACT rough-in set for infrared radar or mechanical actuation universal **concealed part** for **urinals** with rear inlets consisting of :  
 plastic base-set housing, pre-assembled pipe, through-flush plug, isolating valve and cover  
 : 0.5 to 5 bar flow pressure, 0.3 L/s flow rate

01122 SCHELL COMPACT VERONA **mechanically operated finish set** consisting of :  
 front plate, mounting frame, mechanical cartridge with automatic nozzle cleaning needle, adjustable from 2-4 L. dual flushing


03105 urinal inlet connection kit, f32 - 38mm  
 03208 connection pipe, used between concealed flush valve & inlet connection kit

**Exposed URINAL FLASH VALVE**





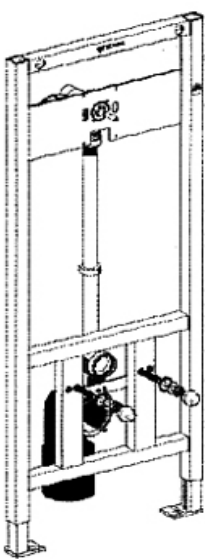
**02476.0699 SCHELLOMAT BASIC exposed urinal flush valve**

- : all-metal flush valve unit with brass pushbutton
- : high reliability due to plastic cartridge with integrated jet bore pre-filter
- : flow rate 0.3 l/s
- : flow pressure 0.8 to 5.0 bar
- : with flush pipe D18 x 200mm with connector & circular wall plate
- : without isolating valve



**CONCEALED WATER CLOSET FLASH VALVE**



**03230.0099** SCHELL VERONA COMPACT concealed part for water closet flush system  
self-supporting steel profiled frame with feet adjustable in height  
includes fastening material, feed and drain kit, cleaning cover  
flow pressure 1.2 - 5 bar, flow 1 - 1.3 L/sec.  
cartridge 6 - 9 L. adjustable

**03234.0699** SCHELL VERONA COMPACT manually-operated single-flush actuator  
including assembly frame and fastening material  
front panel brass in chrome finish

**03233.0099** mounting set for w.c. flush system

