

Instantaneous water heater CRH 3..9



Electric instantaneous water heater, hydraulically controlled with tubular heating system for supplying hot water between approx. 35 °C and 55 °C to one or two points of use. The appliance automatically switches on when the required minimum flow pressure is exceeded and transfers its thermal energy to the water flowing through. The temperature of the hot water can be influenced via the draw-off fitting by increasing or decreasing the flow rate. A thermal cutout protects the appliance against overheating.



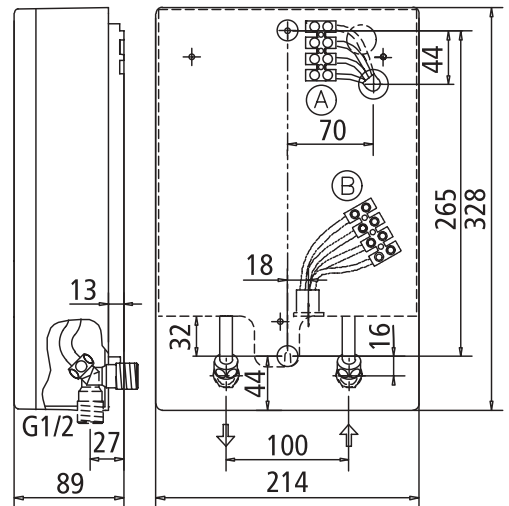
Description

- Compact, hydraulically controlled instantaneous water heater
- Tubular heating element in copper tank
- Closed outlet (pressure-type) design with safety temperature limiter and monitor
- Integrated shutoff valve with easy-to-service strainer and flow control
- Variable electrical connections
- Variable water connection for surface-mounted or flush-mounted installation

Use

- For export markets:
- For solitary wash basins (CRH 3)
 - For singlepoint or multipoint use at wash basins, kitchen sinks
 - Showers, baths (only with sufficiently high feed temperatures of approx. 28 °C)

Dimensions (in mm)



Type:	CRH 3	CRH 6	CRH 9
Article No.:	24103	24106	24109
Content – design:	0.2 litres; closed-outlet, 6 bar		
Heating system:	Tubular heater		
Power rating at 1/N/PE ~ 220 V:	3.2 kW/14.5 A	6.0 kW/27.3 A	8.0 kW/36.4 A
Power rating 1/N/PE ~ 230 V:	3.5 kW/15.2 A	6.6 kW/28.7 A	8.8 kW/38.3 A
Power rating at 1/N/PE ~ 240 V:	3.8 kW/15.8 A	7.2 kW/30 A	9.6 kW/40 A
Required cable size (mm ²)	3 x 2.5	3 x 4.0	3 x 6.0
Min. flow rate (feed temp. ≤ 15 °C):	1.7 l/min	2.9 l/min	3.5 l/min
Min. flow rate (feed temp. ≤ 30 °C):	2.0 l/min	3.6 l/min	4.3 l/min
Pressure loss at minimum flow rate:	0.2 bar	0.8 bar	1.0 bar
Max. temperature increase ¹ at 2 l/min:	25 °C ²	–	–
Max. temperature increase ¹ at 4 l/min:	13 °C ²	24 °C ²	32 °C ²
Max. temperature increase ¹ at 6 l/min:	–	16 °C ²	21 °C ²
Flow rate limited to:	4 l/min	8 l/min	10 l/min
Net weight:	1.8 kg	2.1 kg	2.1 kg
Type of protection, safety mark:	IP25		

¹ at nominal power 230 V ² plus temperature of cold water at installation point = hot water temp.

Sample text for specification

Delivery and installation of ... ea. compact, hydraulically controlled instantaneous water heaters, closed outlet design with tubular copper heating elements, two function indicators, integrated flow control valve, type CRH ..., power rating: 1/N/PE ... V~ ... kW.

Example of installation for one point of use

