

# Instantaneous water heater MDH 3..7



Electric mini instantaneous water heater with highly-efficient bare wire heating system for supplying hot water to a single point of use, i.e. one handwash basin or sink. The attractive small appliance perfectly matches all wash basins and heats the water automatically as it flows through it, without wasting energy in standby operation. The economically set flow rate ensures maximum efficiency. The heater can easily be installed directly to a standard mixing tap, our special jet regulators guarantee efficient and economical flow results.



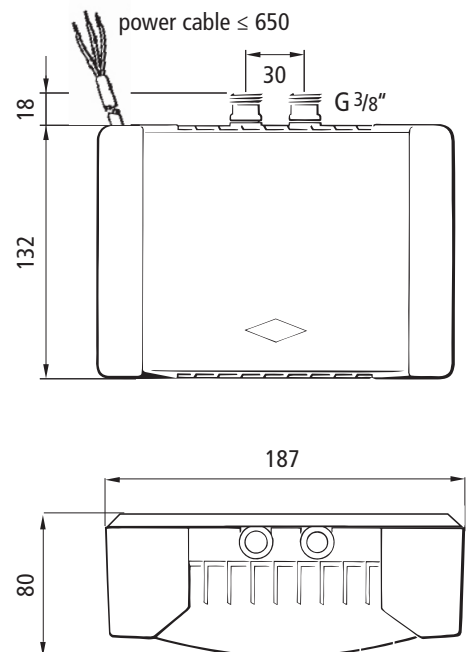
## Description

- Mini-sized electric instantaneous water heater, operates automatically by the water flow
- Water outlet via existing tap or mixer, CLAGE taps and accessories recommended
- Effective bare wire heating system IES® for very quick response
- Flow adjustment control, preset for a temperature increase of 25 K
- No standby heat losses
- Double pole thermal cut-out protection
- Inlet/outlet water connection G 3/8"
- Mains power cable approx. 65 cm long MDH 3 with European standard plug

## Use

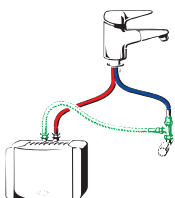
- Handwash basins, e.g. in toilet rooms, bathrooms, bedrooms, restaurants and office buildings
- Kitchen sinks (only highest power rating recommended, depending on local supply temperature)

## Dimensions (in mm)



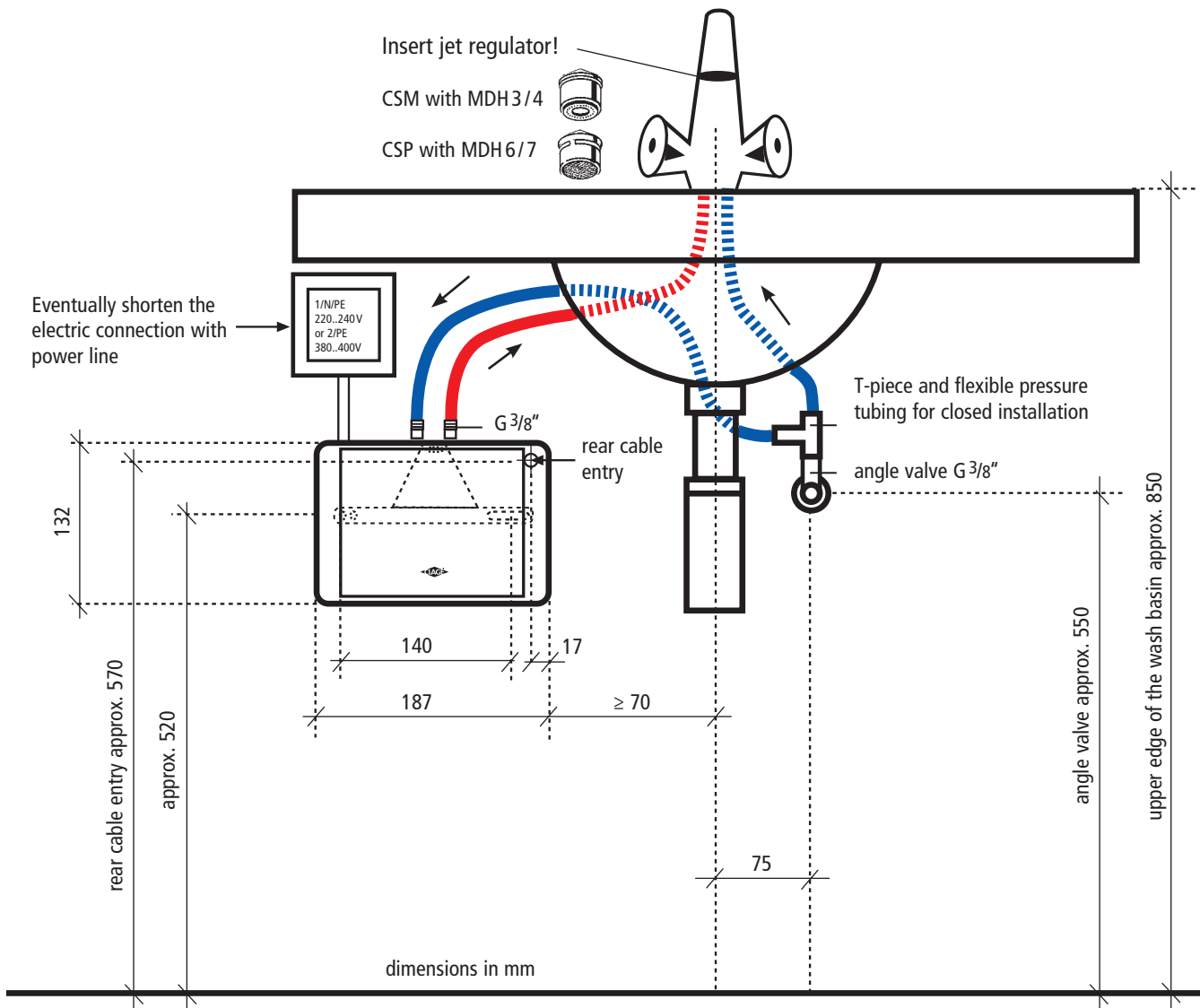
Type	MDH 3	MDH 4	MDH 6	MDH 7
Article No.	12003	12004	12006	12007
Content; nominal pressure	0.2 litres; (10 bar / 1Mpa)			
Heating system	bare wire heating system IES® system			
Required specific water resistance	≥ 800 Ωcm at 15 °C			
Power rating at 1/N/PE 220 V~	3.2 kW	4.0 kW	5.2 kW	–
Power rating at 2/PE 380 V~	–	–	–	5.9 kW
Rated current	15 A	18 A	24 A	16 A
Hot water output* at Δt = 23K (i.e. from 15 °C to 38 °C) in l/min	2.0	2.5	3.2	3.7
Outlet temperature	approx. 35 °C to 50 °C at reduced flow rate			
Switch on / off flow rate (l/min)	1.6/1.2	1.8/1.4	2.1/1.7	2.4/2.0
Min. operating pressure (bar)	0.5	0.8	0.9	0.8
Weight with water	1.3 kg			
Type of protection, safety mark	IP24			

\* possible temperature increase (Δt) always depending on incoming cold temperature. In countries with higher incoming temperatures, Δt may be lower and the hot water output accordingly higher.



**Useful:**  
Installation is a simple matter with the connection set (T-piece and flexible pressure hose) included

# Electronic instantaneous water heater MDH 3..7



Example of installation with closed outlet tap.

Assembly and operating instructions are to be observed upon installation.