



www.kuysen.com

Tuingo



RUBINETTERIE

F.lli Frattini

ITALY



71044
Basin mixer 4" center set



71002
Exposed bath/
shower mixer
: with handshower set



71165
Sink pillar tap
: 200mm goose-neck
spout



71054
Basin mixer 8" center set



93897/D
Bath spout



71170
Sink pillar tap
: 140mm goose-neck
spout



71064
Single-hole basin
mixer



71021
Shower valve



38166.00
Focus single lever
mixer



71071
Basin pillar tap



115+206(92603K)
Shower head + arm
(170mm)



46166.21
Vaneo single lever
mixer



71018
Built-in bath/shower
mixer



135+206(92601K)
Shower head + arm
(101mm)



71186
Bib tap



71096
Built-in bath/
shower mixer
135+206 shower+arm
71021 shower valve
71186 bib tap



71182
Sink pillar tap
: 200mm goose-neck
spout



71188
Bib tap with hose
union



71097
Built-in bath/shower
mixer
115+206 shower
head + arm
71021 shower valve
71186 bib tap



71183
Sink pillar tap
: 140mm goose-neck
spout



92192
Double tap with hose
union



www.kuysen.com

Tuingo



RUBINETTERIE
F.lli Frattini

ITALY



71178S
Sink wall tap
: 200mm "S" spout



71200A
Bidet handspray set
with :
93732 handspray set
71178K wall valve
00091 adapter



71178U
Sink wall tap
: 200mm "U" spout



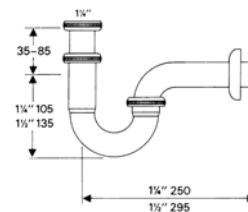
71200B
Bidet handspray set
with :
93732 handspray set
D903485 + JKU0101
00091 adapter



71178J
Sink wall tap
: 200mm "J" spout



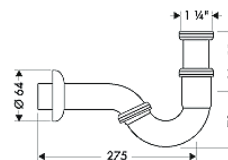
53002
basin P-trap, 1-1/4"



99230
Basin pillar tap



55237
Bidet P-trap



99235
Wall-mounted tap



665+670
Extension tube + nut +
washer
for European pop-up,
1-1/4"



99100
Urinal flush valve with
99923 bent tube
99924 spud cover



655
Tap hole cover, f44mm
: standard model,
chrome



92651
brass/copper material
bath waste & overflow



694/1
P.O. plug with cover 1-
1/4"
with 665+670 tailpiece

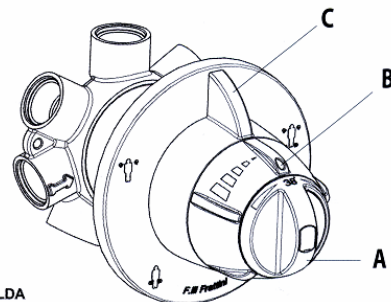
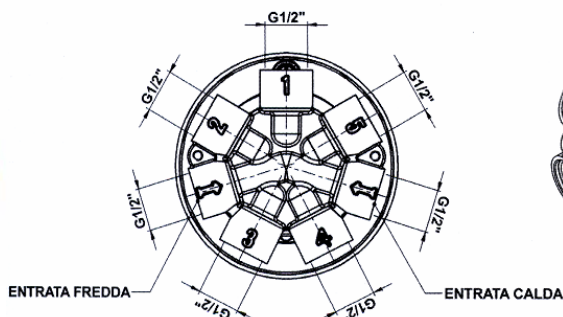


www.kuysen.com



RUBINETTERIE
F.lli Frattini

ITALY

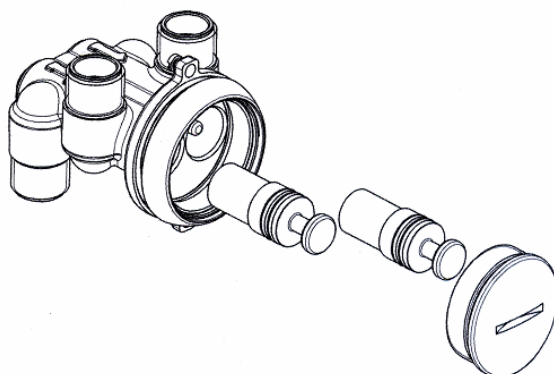
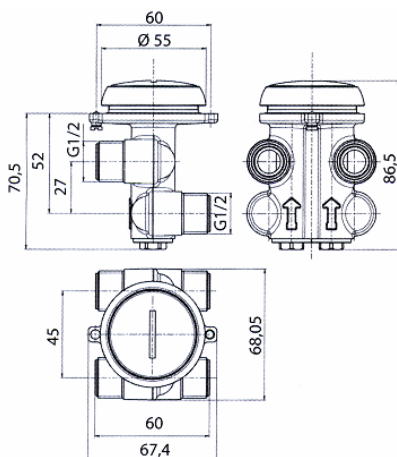


90221.00
Compact 5-way
diverter

Extremely practical and easy to install, COMPACT gathers only in one element the three main cabin shower hydraulic functions:

- A) *Temperature thermostatic adjustment*
- B) *Opening/Closing and water flow adjustment*
- C) *Three, four, five diverting ways*

It is very important to emphasize that by using the same rotation axes (coaxial), COMPACT allows unrelated opening, temperature adjustment and diverting operations.



92526.00
Self-closing double
filter stop cock