



# KESSEL BATHROOM DRAINS

## ART. 27210 Invisible floor drain with plastic rim

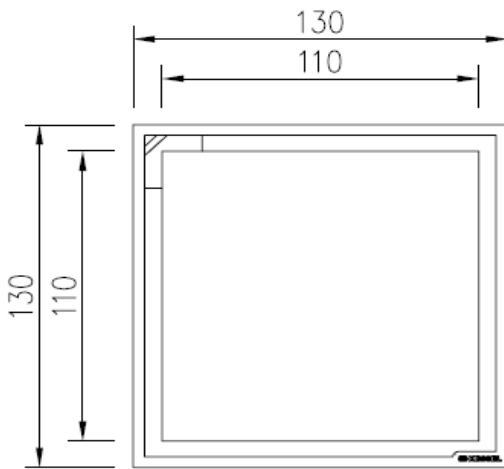
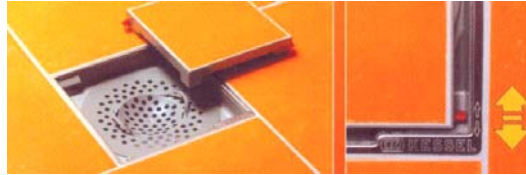
Cover : on-site tiling cover (tile thickness up to 10mm)  
with special locking mechanism

Rim : ABS plastic

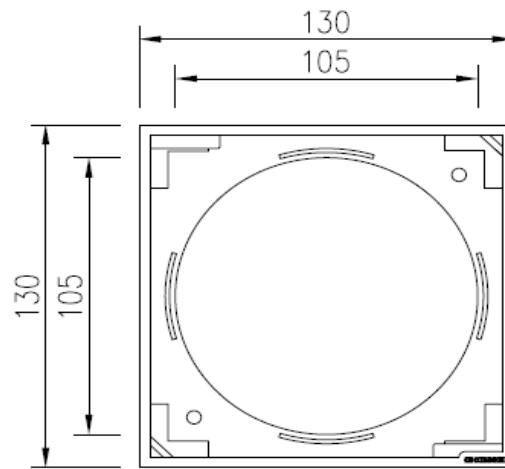
Body : ABS plastic

Size : 110 x 110mm

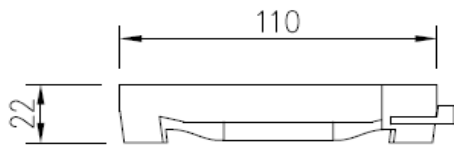
Class load : 300kg



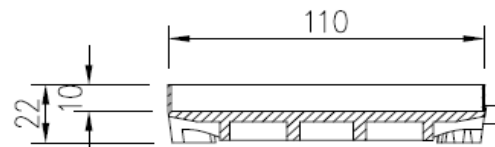
TOP VIEW (WITH COVER)



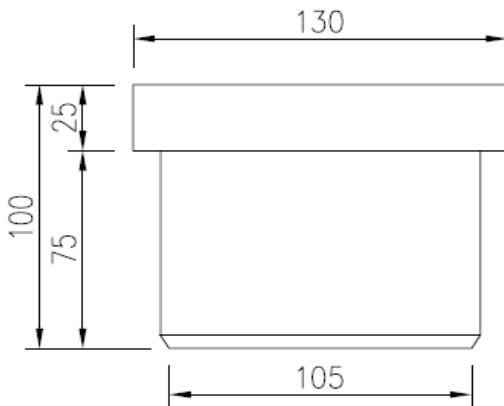
TOP VIEW (WITHOUT COVER)



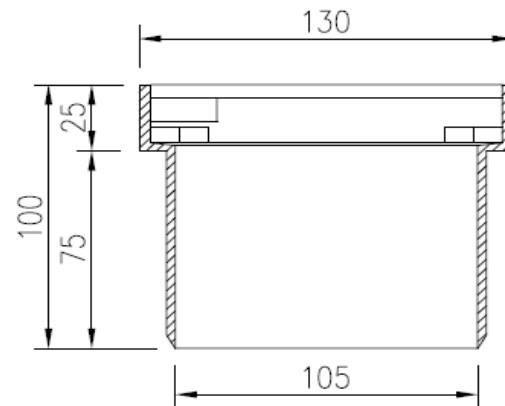
SIDE VIEW OF COVER



SECTION OF COVER



SIDE VIEW OF BODY



SECTION OF BODY