

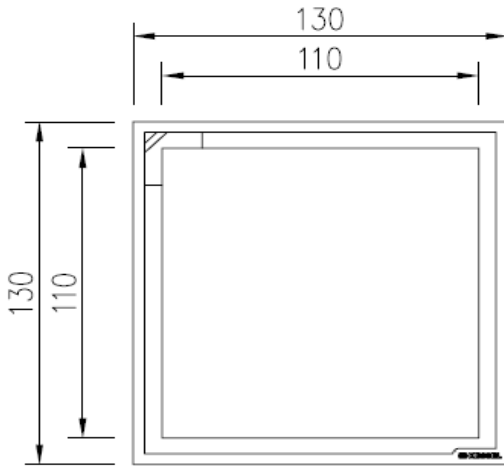
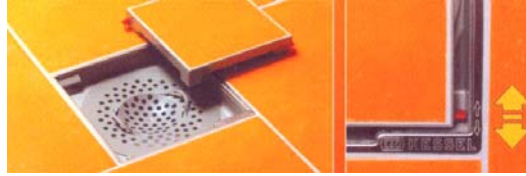


KESSEL BATHROOM DRAINS

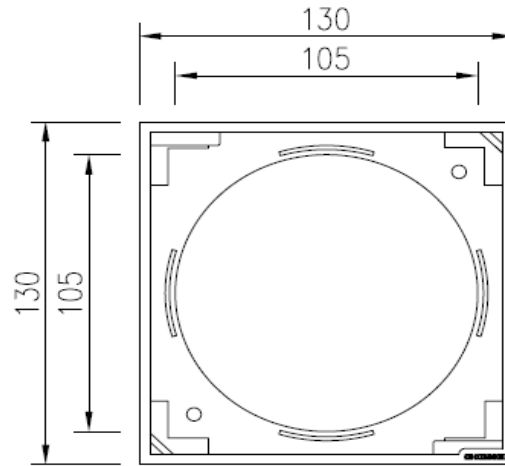


ART. 27211 Invisible floor drain with stainless steel rim

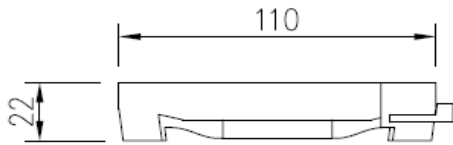
- Cover : on-site tiling cover (tile thickness up to 10mm) with special locking mechanism
- Rim : stainless steel
- Body : ABS plastic
- Size : 110 x 110mm
- Class load : 300kg



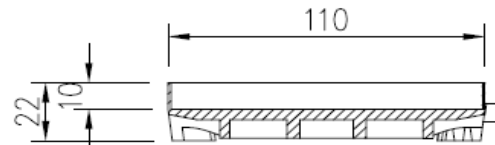
TOP VIEW (WITH COVER)



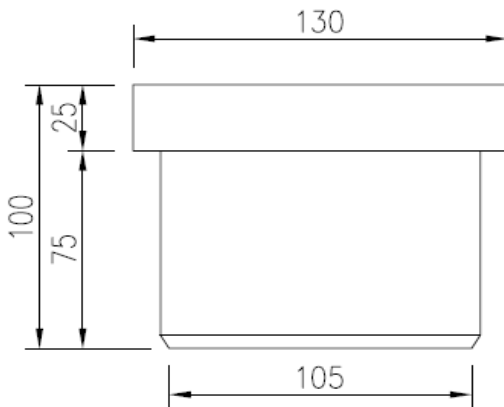
TOP VIEW (WITHOUT COVER)



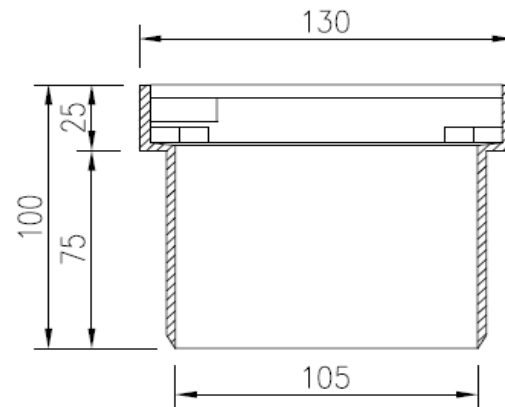
SIDE VIEW OF COVER



SECTION OF COVER



SIDE VIEW OF BODY



SECTION OF BODY