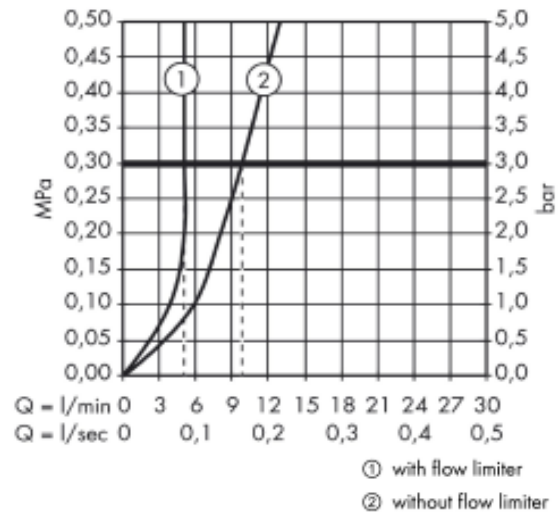
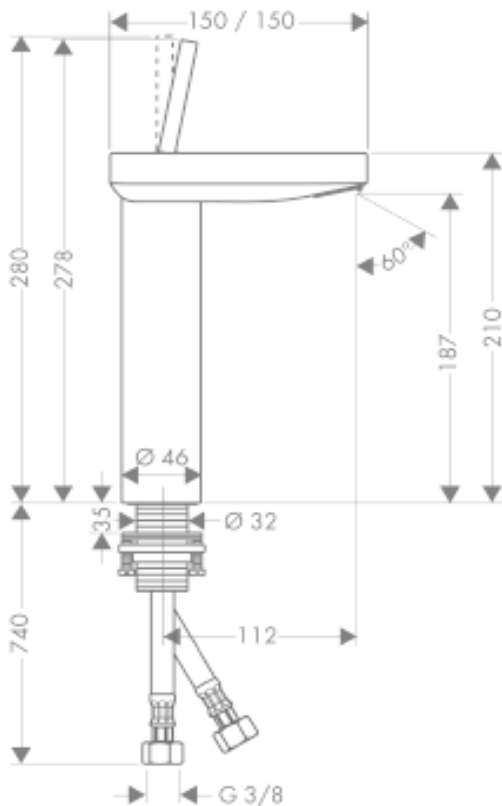


## SPECIFICATION SHEET - fittings

|                                 |   |
|---------------------------------|---|
| <b>BRAND:</b>                   | <b>AXOR®</b>  |
| <b>ORIGIN:</b>                  | Germany   |
| <b>SERIES:</b>                  | <b>STARCK X</b>   |
| <b>PRODUCT DESCRIPTION:</b>     | Basin mixer 210mm without pop-up  |
| <b>MODEL No.</b>                | 10071.000   |
| <b>FINISH/COLOUR:</b>           | Chrome-plated   |
| <b>DIMENSIONS:</b>              | 150mm x 150mm x 278mm<br>112mm spout projection                                     |
| <b>OPTIONAL MATCHING PARTS:</b> | 2x angle valve 1/2"x10mm<br>1x basin waste trap 1 1/4"<br>pop-up waste set G 1 1/4" |



**Technical Informations:**



|                  |   |
|------------------|---|
| <b>REMINDER:</b> | Pipe flushing must be done before faucets are installed. Failure to do so voids the warranty.   |
|                  | Do not use cleaners containing abrasive cleansers, ammonia, bleach, acids, waxes, alcohol, solvents or other products not recommended for chrome. |
|                  | All information is for reference only, installation shall always be based on the actual product delivered.  |