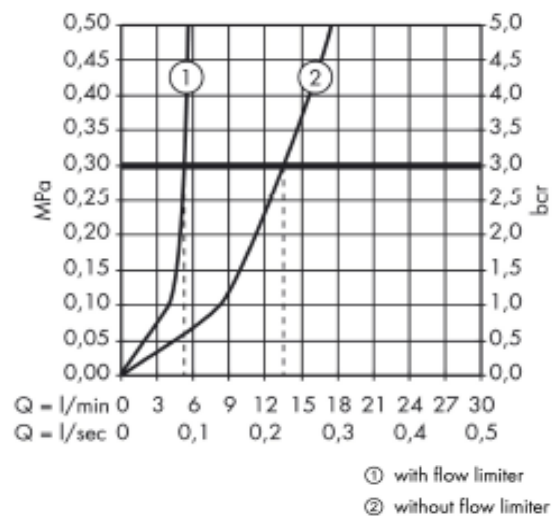
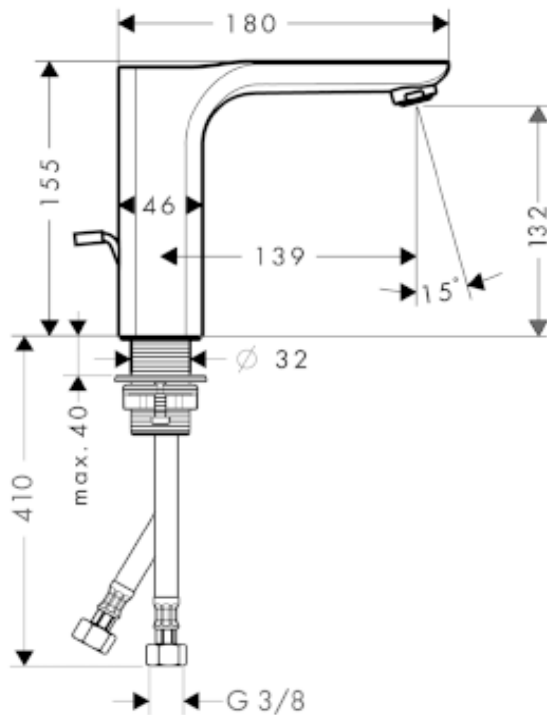


SPECIFICATION SHEET - fittings

BRAND:	AXOR®	Product Photo: 
ORIGIN:	Germany	
SERIES:	Urquiola	
PRODUCT DESCRIPTION:	Basin mixer • with pop-up waste set G 1 ¼" • ComfortZone 130 • flow rate: 5 l/min	
MODEL No.	11020.000	
FINISH/COLOUR:	Chrome-plated	
DIMENSIONS:	180mm L x 155mm H 139mm spout projection	
OPTIONAL MATCHING PARTS:	2x angle valve ½"x10mm 1x basin waste trap 1¼"	

Technical Informations:



REMINDER:	Pipe flushing must be done before faucets are installed. Failure to do so voids the warranty.
	Do not use cleaners containing abrasive cleansers, ammonia, bleach, acids, waxes, alcohol, solvents or other products not recommended for chrome.
	All information is for reference only, installation shall always be based on the actual product delivered.