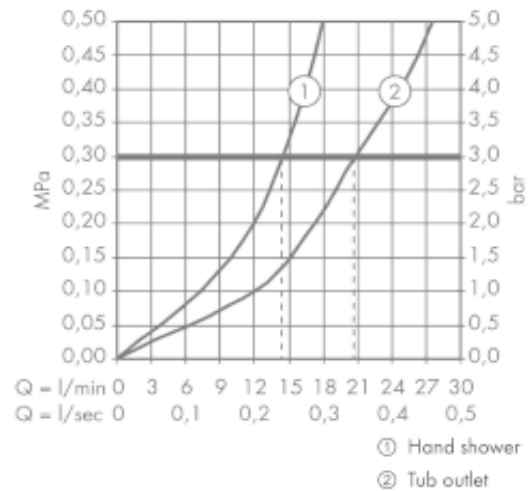
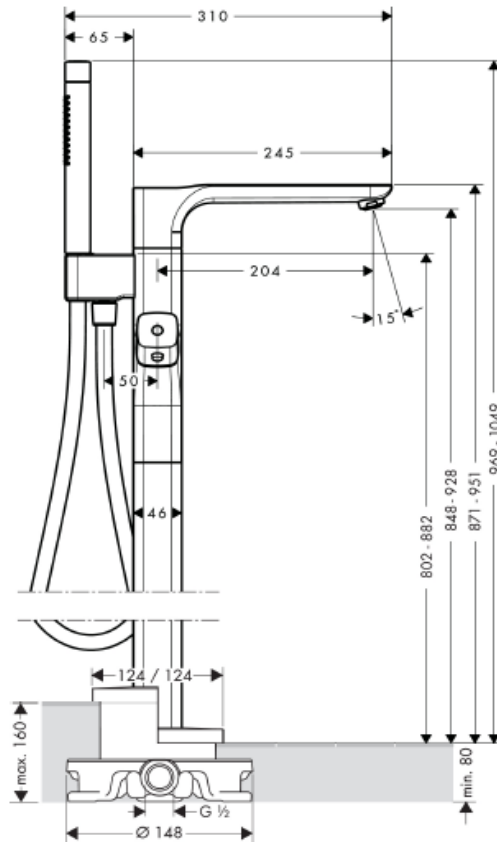


## SPECIFICATION SHEET - fittings

<b>BRAND:</b>	<b>AXOR<sup>®</sup></b>
<b>ORIGIN:</b>	Germany
<b>SERIES:</b>	<b>Urquiola</b>
<b>PRODUCT DESCRIPTION:</b>	2handed f/s for 10452.180 tub mixer with handshower set <ul style="list-style-type: none"> <li>• flow rate: 20 l/min</li> <li>• operating pressure: 0.1 - 1.0 MPa</li> </ul>
<b>MODEL No.</b>	11422.000
<b>FINISH/COLOUR:</b>	Chrome-plated
<b>DIMENSIONS:</b>	204mm spout projection
<b>OPTIONAL MATCHING PARTS:</b>	



**Technical Informations:**



<b>REMINDER:</b>	Pipe flushing must be done before faucets are installed. Failure to do so voids the warranty.
	Do not use cleaners containing abrasive cleansers, ammonia, bleach, acids, waxes, alcohol, solvents or other products not recommended for chrome.
	All information is for reference only, installation shall always be based on the actual product delivered.