

RainSelect

Thermostat for concealed installation for 4 functions

Surfaces: **Matt White** Article Number: **15382700**

15382700

Description

product features

- depending on volume flow and installation situation approx. 50% flow rate reduction and integrated shut off function
- 4 functions
- simultaneous use of several outlets
- Select push-button on/off control for 4 outlets
- maximum flow rate at 3 bar: 18,5 l/min
- flow rate at 3 bar: 18,5 l/min
- thermostat cartridge, Start/stop valve to operate the functions
- min. operating pressure: 1 bar
- max. operating pressure: 10 bar
- safety lock at 40° C
- temperature limitation adjustable
- non-return valve
- connection type: basic set
- Thermostat is delivered with buttons handshower, PowderRain, Waterfall, Rain large

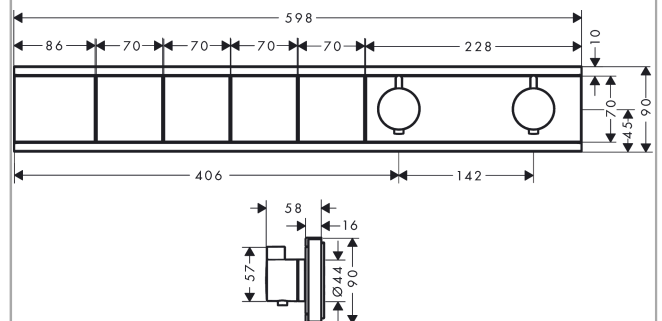
Technology



Product image



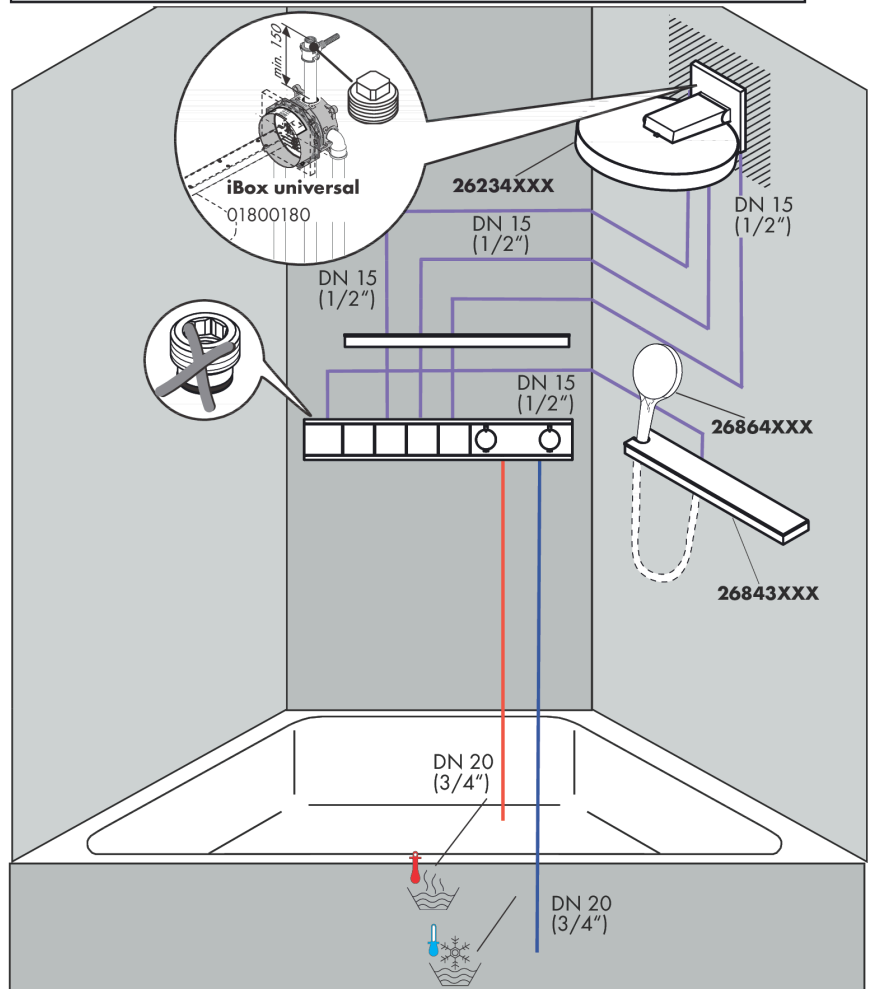
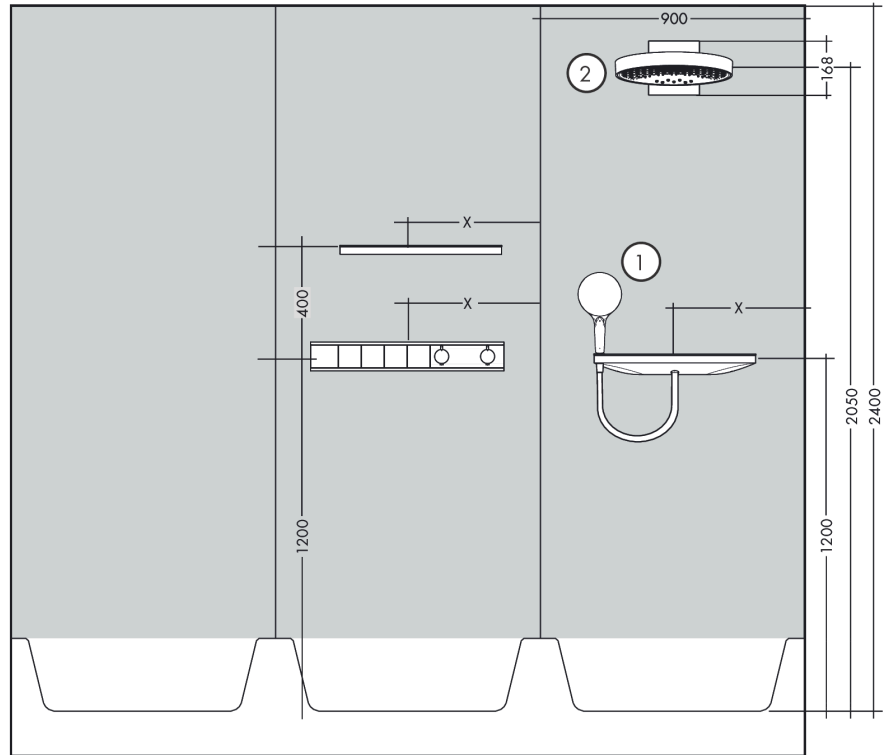
Scale drawing



RainSelect
Thermostat for concealed installation for 4 functions
 Surfaces: **Matt White** Article Number: **15382700**

Installation examples

RainSelect
 1531218X / 15382XXX

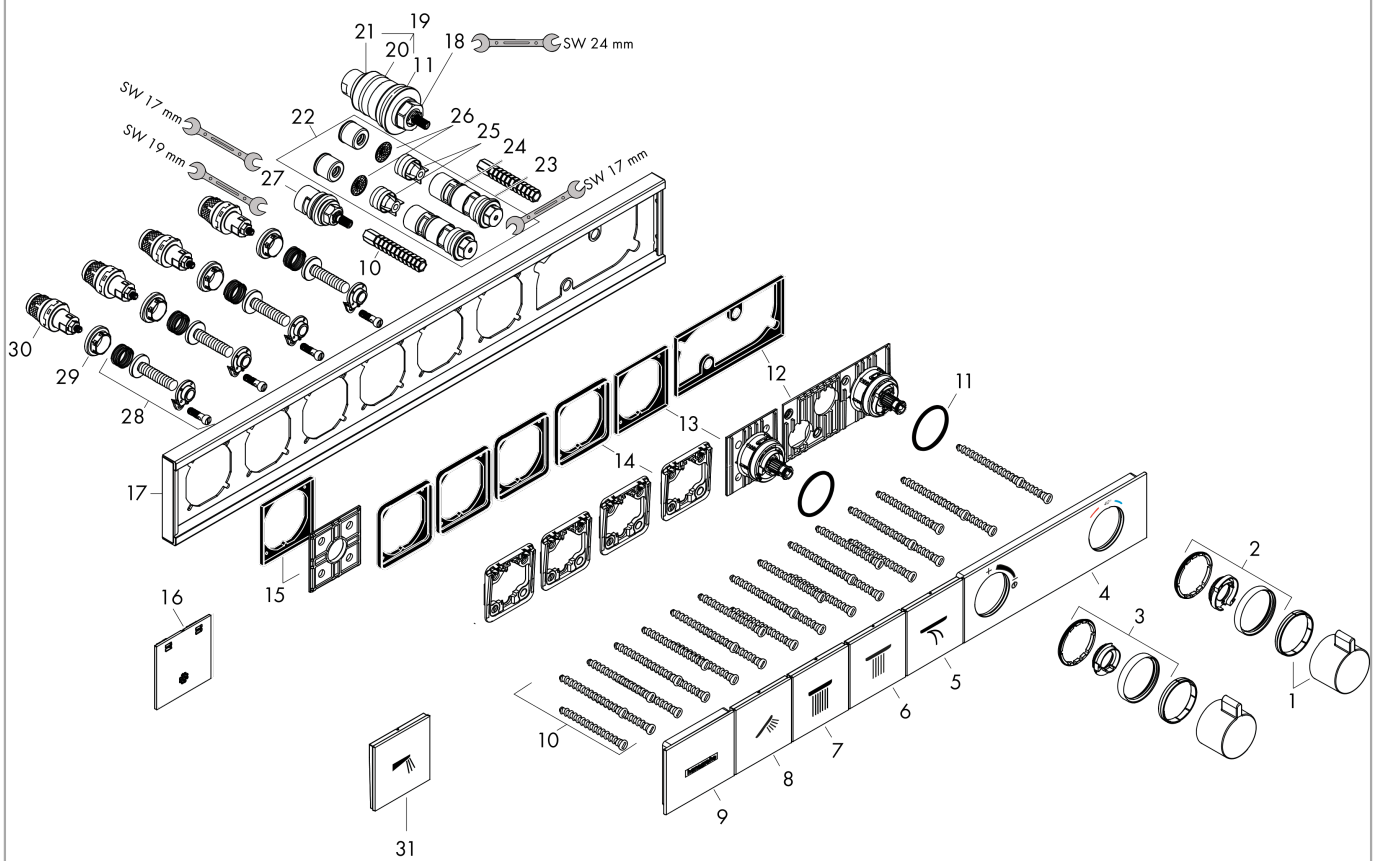


RainSelect
Thermostat for concealed installation for 4 functions
 Surfaces: **Matt White** Article Number: **15382700**



Exploded Drawing

Year of production: >07/19



RainSelect**Thermostat for concealed installation for 4 functions**Surfaces: **Matt White** Article Number: **15382700****Spare part list**

Year of production: >07/19

| Pos. | Description | Article Number | Price | PU |
|------|-------------------------------|----------------|-------|----|
| 1 | handle for thermostat | 92215700 | - | 1 |
| 2 | safety set | 93112700 | - | 1 |
| 3 | safety set | 93113700 | - | 1 |
| 4 | cover | 93105450 | - | 1 |
| 5 | symbol Flood jet | 93305450 | - | 1 |
| 6 | symbol head shower | 93499450 | - | 1 |
| 7 | symbol head shower Rain large | 93107450 | - | 1 |
| 8 | symbol handshower | 93106450 | - | 1 |
| 9 | cover | 93501450 | - | 1 |
| 10 | mounting kit | 93102000 | - | 1 |
| 11 | O-ring 38x2,5 | 98198000 | - | 1 |
| 12 | adapter for handle | 93109000 | - | 1 |
| 13 | adapter for handle | 93315000 | - | 1 |
| 14 | support element | 93111000 | - | 1 |
| 15 | support element | 93314000 | - | 1 |
| 16 | fit-up aid | 93417000 | - | 1 |
| 17 | escutcheon | 93317700 | - | 1 |
| 18 | thermostat cartridge | 96633000 | - | 1 |
| 19 | sealing set | 96636000 | - | 1 |
| 20 | O-ring 34x2 | 98383000 | - | 1 |
| 21 | O-ring 26x2 | 98147000 | - | 1 |
| 22 | service unit | 93406000 | - | 1 |
| 23 | O-ring 20x2 | 98165000 | - | 1 |
| 24 | O-ring 20x1,5 | 98197000 | - | 1 |
| 25 | non return valve | 96655000 | - | 1 |
| 26 | filter | 97367000 | - | 1 |
| 27 | shut off unit | 98536000 | - | 1 |
| 28 | Select-adapter | 93103000 | - | 1 |
| 29 | nut | 98368000 | - | 1 |
| 30 | shut off unit | 95758000 | - | 1 |
| 31 | neck jet | 93498450 | - | 1 |
| a | concealed item | 15312180 | - | 1 |
| b | Grease | 90920000 | - | 1 |
| c | extension 25 mm | 93434000 | - | 1 |