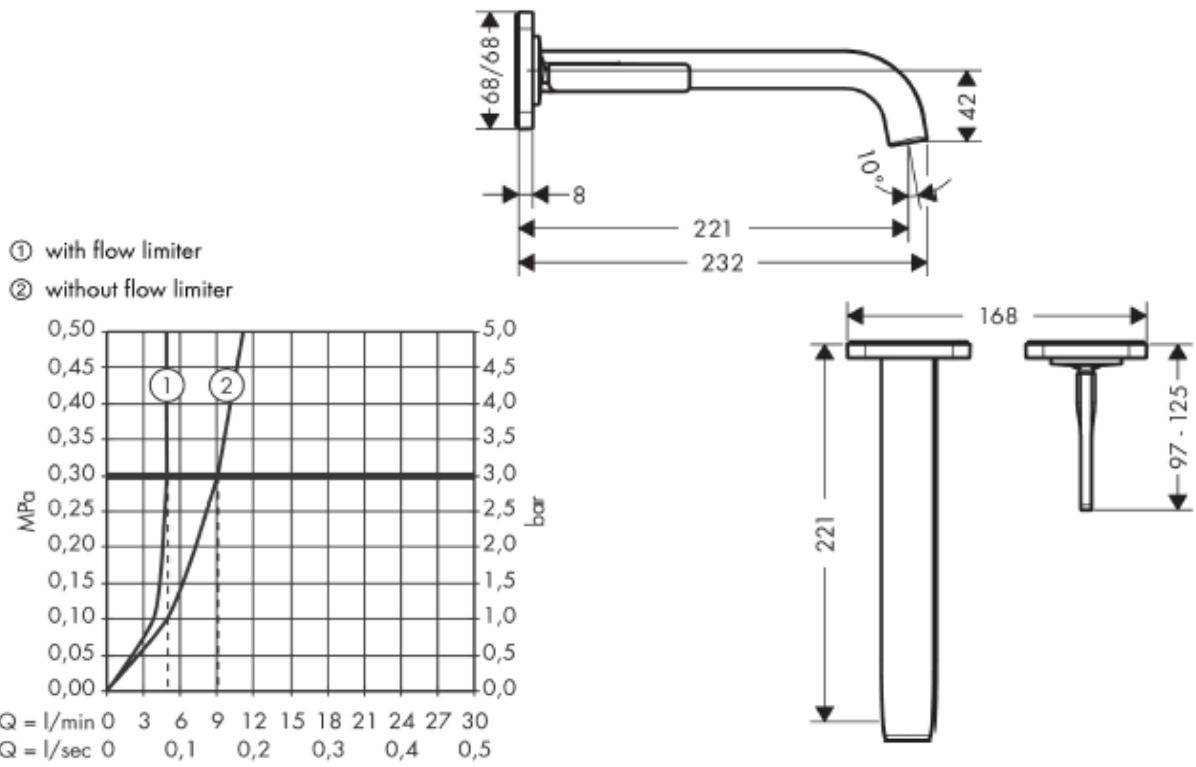


## SPECIFICATION SHEET - fittings

|                                 |                                                                                |
|---------------------------------|--------------------------------------------------------------------------------|
| <b>BRAND:</b>                   | <b>AXOR®</b>                                                                   |
| <b>ORIGIN:</b>                  | Germany                                                                        |
| <b>SERIES:</b>                  | <b>Citterio E</b>                                                              |
| <b>PRODUCT DESCRIPTION:</b>     | Finish set with escutcheon<br>Single lever basin mixer<br>• flow rate: 5 l/min |
| <b>MODEL No.</b>                | 36106.000                                                                      |
| <b>FINISH/COLOUR:</b>           | Chrome-plated                                                                  |
| <b>DIMENSIONS:</b>              | 232mm L<br>221 spout projection                                                |
| <b>OPTIONAL MATCHING PARTS:</b> | 1x basin waste trap 1¼"                                                        |



**Technical Informations:**



**REMINDER:** Pipe flushing must be done before faucets are installed. Failure to do so voids the warranty.  
 Do not use cleaners containing abrasive cleansers, ammonia, bleach, acids, waxes, alcohol, solvents or other products not recommended for chrome.  
 All information is for reference only, installation shall always be based on the actual product delivered.