

Brand : TEKA, Spain  
 Name : ADVAND / MWL.20BIS  
 Microwave oven + grill - built in

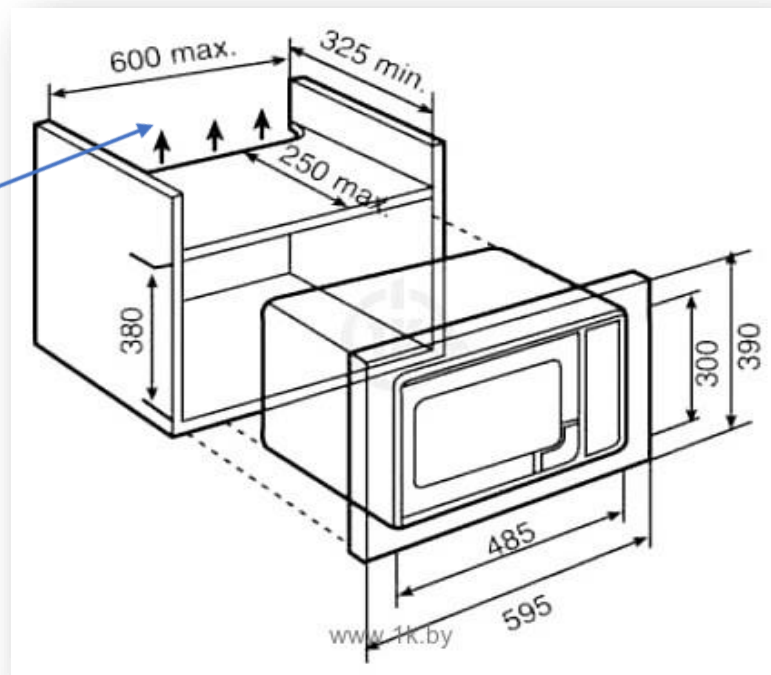
Item Code : 4058.3401

Color/Finish: Stainless Steel Fingerprint Proof

Dimensions : Overall (LxWxH in cm)  
 59.5 x 32.5 x 39cm

Product info:

- Capacity : 18 litres
- 5 microwave power levels ( 800 W.)
- Manual multi-programmer
- Grill 1000 W
- Double microwave input
- Electronic control panel
- Stainless steel inner cavity
- Timer : 0-90 minutes
- Children safety block
- Built-in frame included, One grid
- Wattage: 1200 W
- Voltage: 220V / 50 Hz
- Phase: single+grounding



Ventilation duct min. 500 cm<sup>2</sup>