



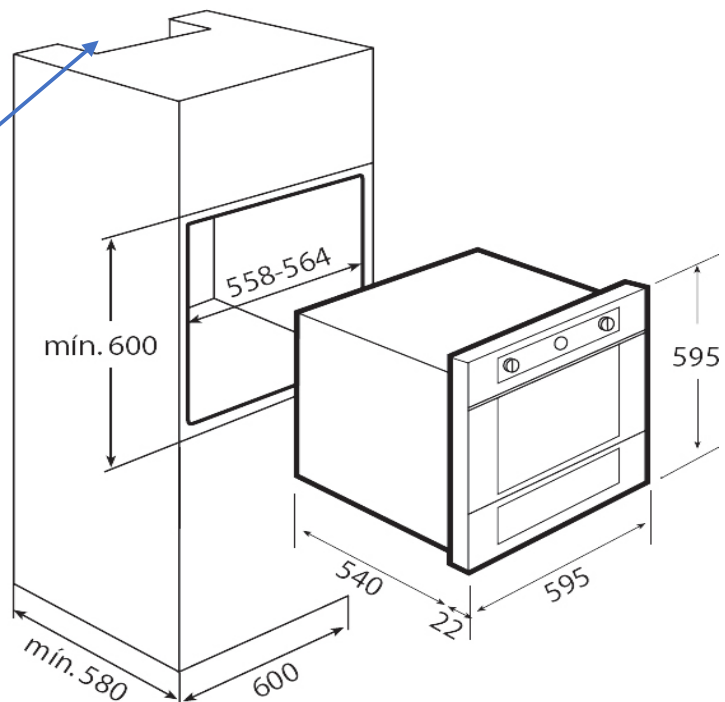
Brand : TEKA, Spain
 Name : ADVAND / Built-in Multifunction turbo HL-840

Item Code : 4155.2810
 Color/Finish: Stainless Steel Fingerprint Proof
 Dimensions : Overall (LxWxH in cm)
 59.5 x 54 x 59.5 cm

Product info:

- Hydroclean cleaning system
- Energy class: A+
- Capacity : 57/65 litres (net/gross)
- 9 cooking functions
- Touch Control panel & pop up control knobs
- Maxi grill, Dynamic ventilation & telescopic guide
- Children safety block
- Double glazed with full glass inner door
- Deep tray & reinforced grid
- Wattage: 2693 W
- Voltage: 220V / 50 Hz
- Phase: single+grounding

Ventilation duct min. 500 cm²



Follow cleaning instructions and avoid using any harmful chemicals.

All information is for reference only. Installation shall always be based on the specs provided with actual delivered items.

For more info, visit www.kuysen.com