



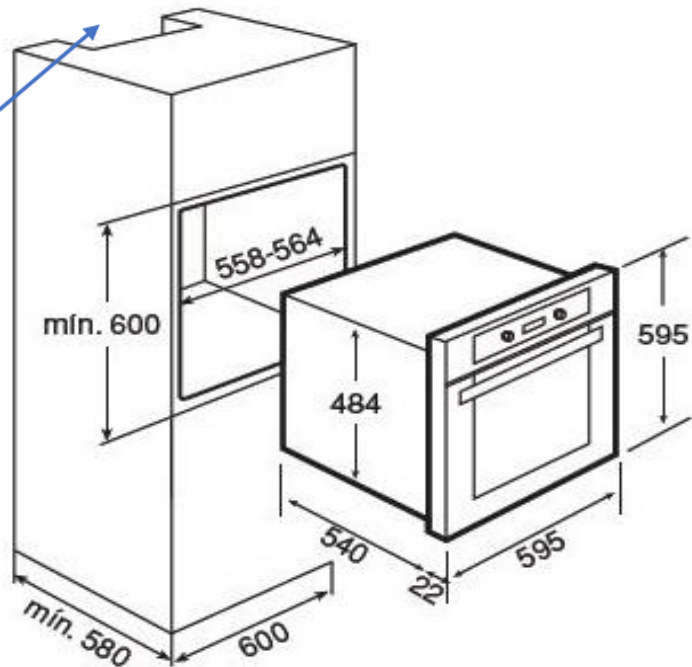
Brand : TEKA, Spain  
 Name : ADVAND / Built-in Multifunction Oven HL-890

Item Code : 4155.8710  
 Color/Finish: Stainless Steel Fingerprint Proof  
 Dimensions : Overall (LxWxH in cm)  
 59.5 x 56.2 x 59.5 cm

**Product info:**

- Energy class A
- 15 cooking functions, 17 programmed recipes
- Capacity : 57/65 litres (net/gross)
- Touch Control panel with LCD display
- Drop down maxi grill
- 2 Plus Extraction telescopic guides
- Forced ventilation with Mix Chamber System (MCS)
- Children safety block
- Full glass inner door & Triple glazed door
- Deep tray and baking tray, Reinforced grid
- Wattage: 3268 W
- Voltage: 220V / 50 Hz
- Phase: single+grounding

Ventilation duct min. 500 cm<sup>2</sup>



Follow cleaning instructions and avoid using any harmful chemicals.

All information is for reference only. Installation shall always be based on the specs provided with actual delivered items.

For more info, visit [www.kuysen.com](http://www.kuysen.com)