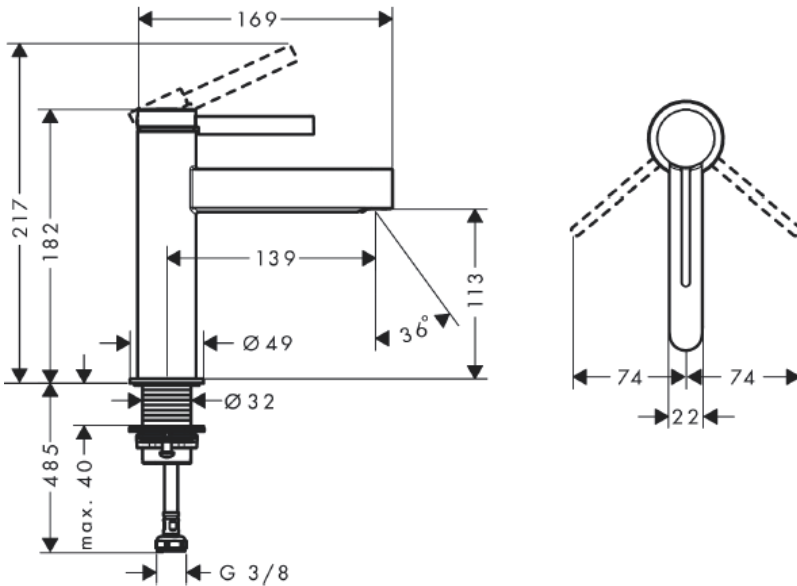




Brand : HANSGROHE, Germany  
 Name : FINORIS 3 hole Basin Mixer 90  
 Item Code : 76023.670  
 Designer : Phoenix Design  
 Color / Finish : Matt Black  
 Dimensions : Overall (LxWxH in cm)  
 16.9 x 2.2 x 18.2 cm

- Product info:
- consists of: single lever basin mixer, waste set
  - ComfortZone 110
  - projection: 139 mm
  - spray type: laminar spray
  - maximum flow rate at 3 bar: 5 l/min
  - ceramic cartridge
  - temperature limitation adjustable
  - suitable for continuous flow water heaters
  - push-open waste set G 1¼
  - material waste set: metal
  - connection type: G ¾ connections
  - connection dimension: DN15
- Add-ons :
- 2x angle valve 3/8"x 10mm (no nuts)
  - 1x basin waste trap 1¼"



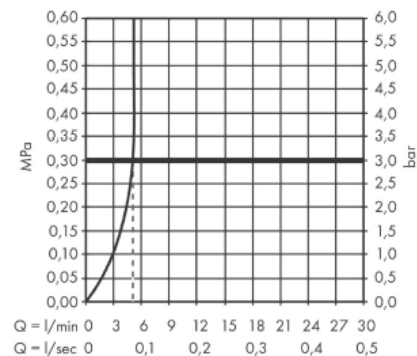
### Technology



### Design awards



reddot winner 2021



Flushing of pipe must be done before fittings are installed. Failure to do so voids the warranty.

Follow cleaning instructions and avoid using any harmful chemicals.

All information is for reference only. Installation shall always be based on the specs provided with actual delivered items.

For more info, visit [www.kuysen.com](http://www.kuysen.com)