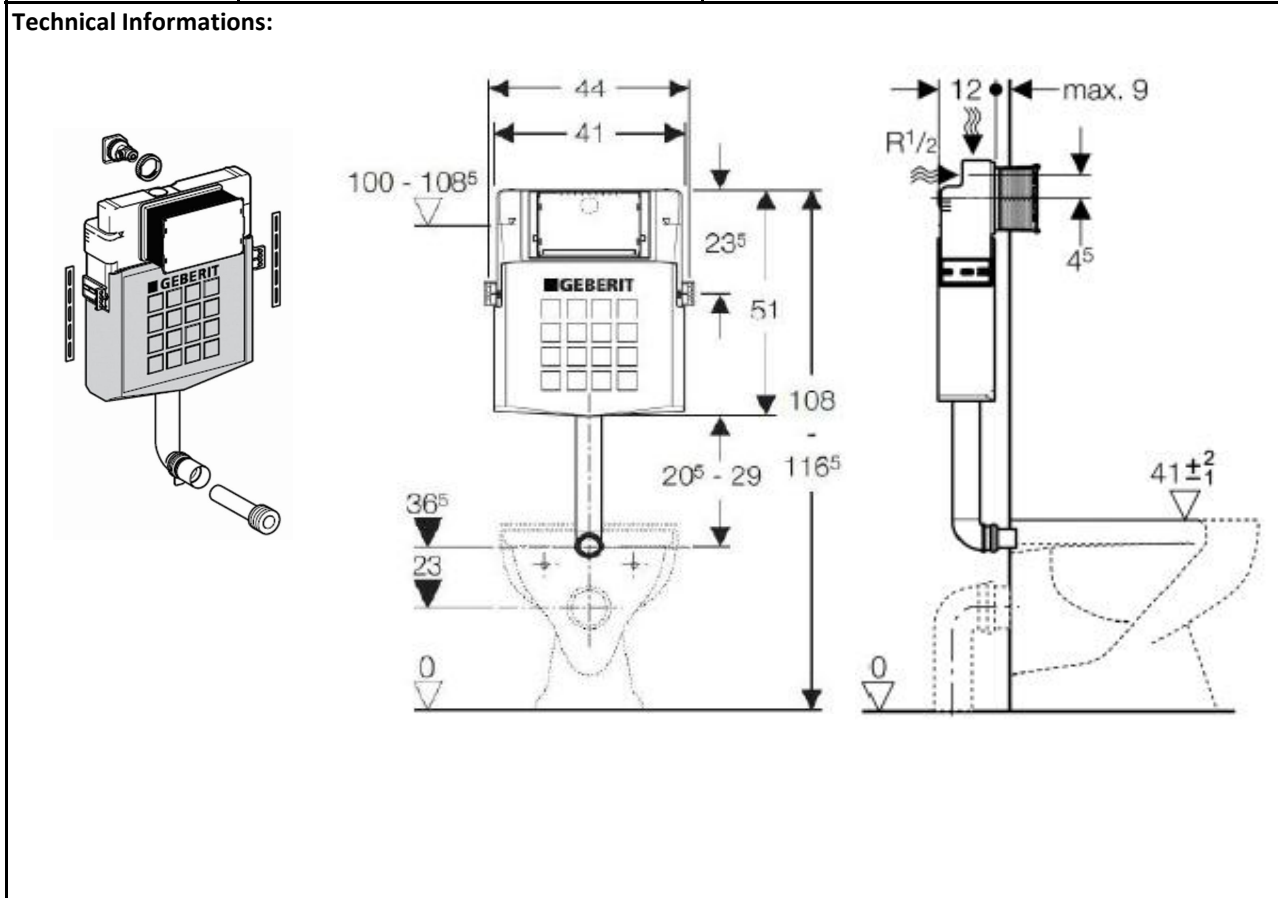


SPECIFICATION SHEET - Plumbing fittings

BRAND:		Product Photo:
ORIGIN:	Switzerland	
SERIES:	SIGMA	
PRODUCT DESCRIPTION:	Wall hung Concealed Cistern Up320 Front-Operated 4.5/3L dual flush	
MODEL No.	224.326.00.1	
FINISH/COLOUR:		
DIMENSIONS:	1080mm H	
OPTIONAL MATCHING PARTS:	224.053.00.1 chair bracket with: 170.364.00.1 toilet sleeve 170.365.00.1 toilet connector 170.366.00.1 plug 170.367.00.1 HDPE 170.368.00.1 D90 lip seal 170.462.00.1 D90/110mm	



REMINDER:	<p style="color: magenta;">Pipe flushing must be done before faucets are installed. Failure to do so voids the warranty.</p> <p>Do not use cleaners containing abrasive cleansers, ammonia, bleach, acids, waxes, alcohol, solvents or other products not recommended for chrome.</p> <p>All information is for reference only, installation shall always be based on the actual product delivered.</p>
------------------	---