
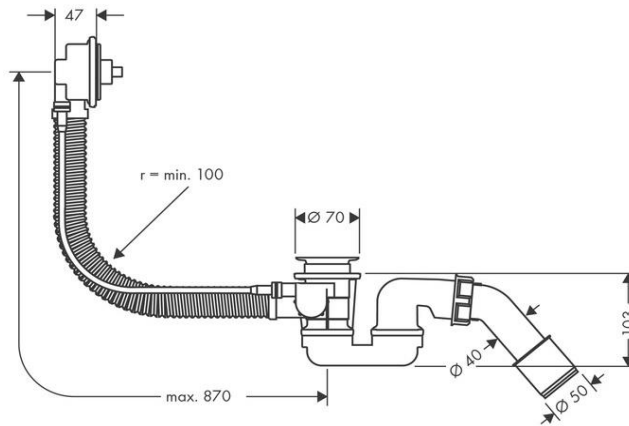


SPECIFICATION SHEET - fittings

BRAND:	hansgrohe	Product Photo: 
ORIGIN:	Germany	
SERIES:	Concealed part	
PRODUCT DESCRIPTION:	Basic part for Flexaplus bath pop-up waste <ul style="list-style-type: none"> for special size bathtub with 56373000 trap maintenance opening required 	
MODEL No.	58141 180	
FINISH/COLOUR:	---	
DIMENSIONS:	---	
OPTIONAL MATCHING PARTS:	58185000 Finish set	

Technical Informations:



REMINDER:	Pipe flushing must be done before faucets are installed. Failure to do so voids the warranty.
	Do not use cleaners containing abrasive cleansers, ammonia, bleach, acids, waxes, alcohol, solvents or other products not recommended for chrome.
	All information is for reference only, installation shall always be based on the actual product delivered.