

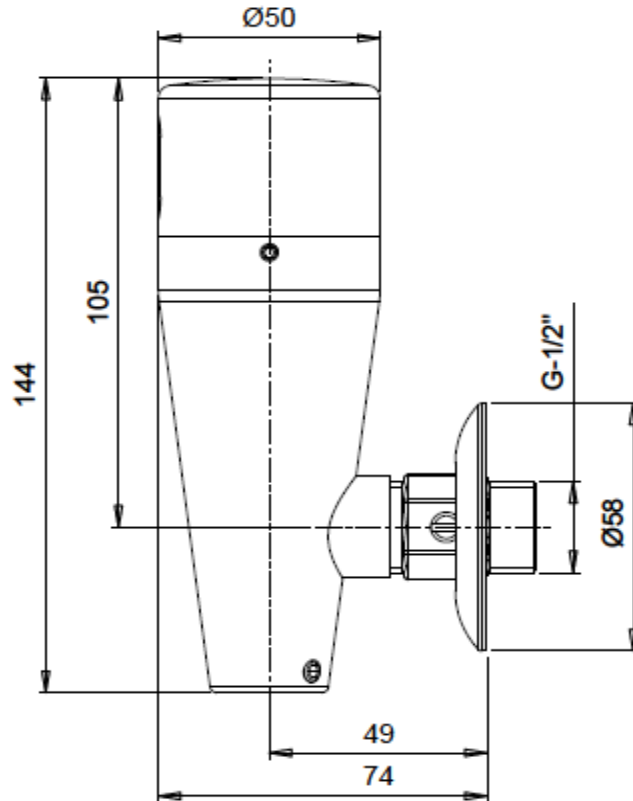


SPECIFICATION SHEET - fittings

BRAND:		Product Photo: 
ORIGIN:	Israel	
SERIES:	FREE	
PRODUCT DESCRIPTION:	Infrared sensor urinal flush valve, exposed, with: internally mounted DC 9V battery	
MODEL No.	113100	
FINISH/COLOUR:	Chrome plated	
DIMENSIONS:	74mm L x 144mm H	
OPTIONAL MATCHING PARTS:		

Technical Informations:



REMINDER:	Pipe flushing must be done before faucets are installed. Failure to do so voids the warranty.
	Do not use cleaners containing abrasive cleansers, ammonia, bleach, acids, waxes, alcohol, solvents or other products not recommended for chrome.
	All information is for reference only, installation shall always be based on the actual product delivered.