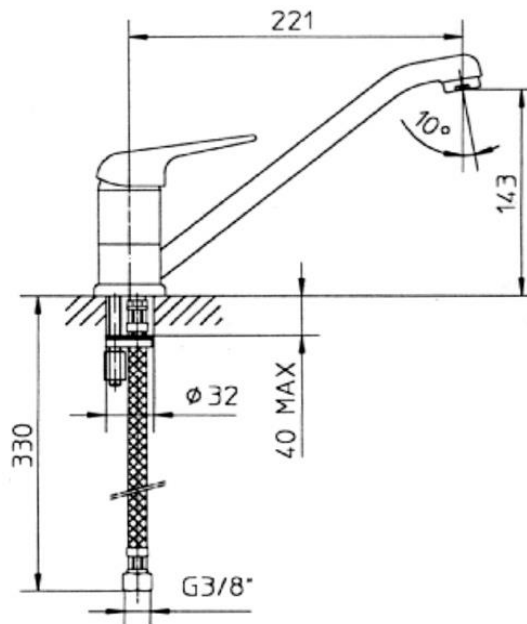


SPECIFICATION SHEET - fittings

BRAND:		Product Photo: 
ORIGIN:	Italy	
SERIES:	SINK TAPS & MIXERS	
PRODUCT DESCRIPTION:	DERBY sink mixer low spout with 3/8" connection hoses	
MODEL No.	90541	
FINISH/COLOUR:	Chrome	
DIMENSIONS:	221mm spout projection	
OPTIONAL MATCHING PARTS:	2x angle valve 1/2"x3/8" (no nuts)	

Technical Informations:



REMINDER:	Pipe flushing must be done before faucets are installed. Failure to do so voids the warranty.
	Do not use cleaners containing abrasive cleansers, ammonia, bleach, acids, waxes, alcohol, solvents or other products not recommended for chrome.
	All information is for reference only, installation shall always be based on the actual product delivered.