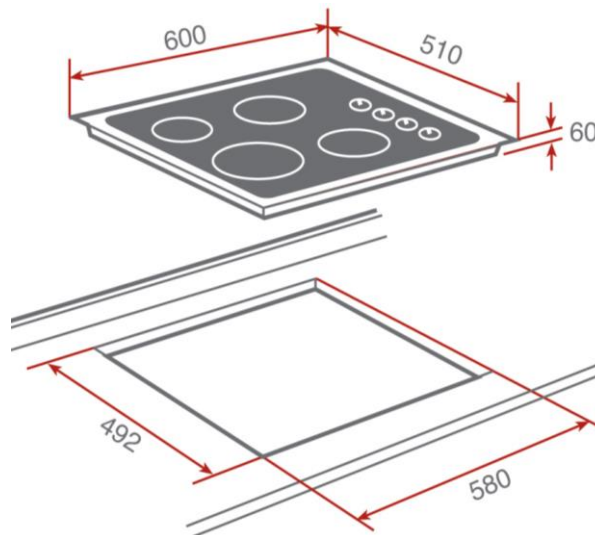


SPECIFICATION SHEET - appliances

BRAND:		Product Photo:
ORIGIN:	Spain	
SERIES:	VITROCERAMIC HOBS	
PRODUCT DESCRIPTION:	600.510.VT.CM Vitroc ceramic hob with stainless steel frame Mechanical control Residual heat indicators 2 x Ø180mm high light 2 x Ø145mm high light	
MODEL No.	1020.4016	
FINISH/COLOUR:	Stainless Steel Frame	
DIMENSIONS:	600 x 510mm	
OPTIONAL MATCHING PARTS:		

Technical Informations:

Voltage: 230V / 50~60 Hz
 Wattage: 6000 Watts
 Phase: single+grounding



ATTENTION: Cut hole must be with round corners in order to avoid cracking on the counter-top.

REMINDER:	Do not use cleaners containing abrasive cleansers, ammonia, bleach, acids, waxes, alcohol, solvents or other products not recommended for chrome. All information is for reference only, installation shall always be based on the actual product delivered.
------------------	---