

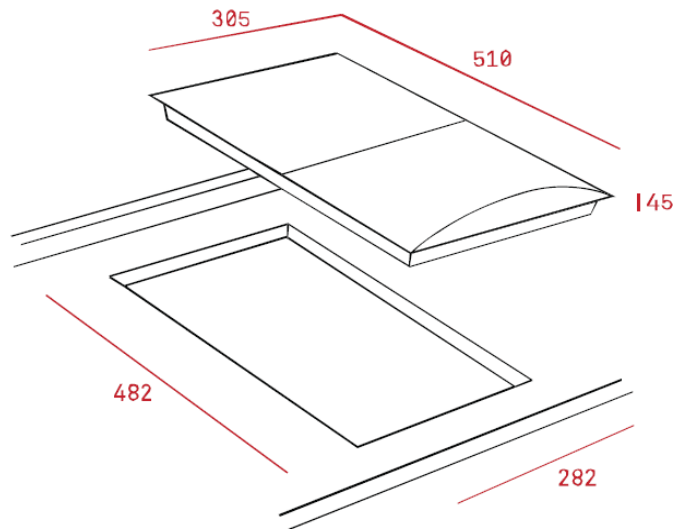


## SPECIFICATION SHEET - appliances

<b>BRAND:</b>		<b>Product Photo:</b>  
<b>ORIGIN:</b>	Spain	
<b>SERIES:</b>	VITROCERAMIC HOBS	
<b>PRODUCT DESCRIPTION:</b>	<b>EFX.30.1.2H (E1)</b> Vitroc ceramic hob with stainless steel frame Mechanical control panel 1 x Ø180mm high light 1 x Ø145mm high light	
<b>MODEL No.</b>	4021.4405	
<b>FINISH/COLOUR:</b>	INOX STEEL	
<b>DIMENSIONS:</b>	510 x 305mm	
<b>OPTIONAL MATCHING PARTS:</b>		

**Technical Informations:**

Voltage: 220V / 50~60 Hz  
 Wattage: 3000 Watts  
 Phase: single+grounding



**ATTENTION:** Cut hole must be with round corners in order to avoid cracking on the counter-top.

<b>REMINDER:</b>	Do not use cleaners containing abrasive cleansers, ammonia, bleach, acids, waxes, alcohol, solvents or other products not recommended for chrome. All information is for reference only, installation shall always be based on the actual product delivered.
------------------	---