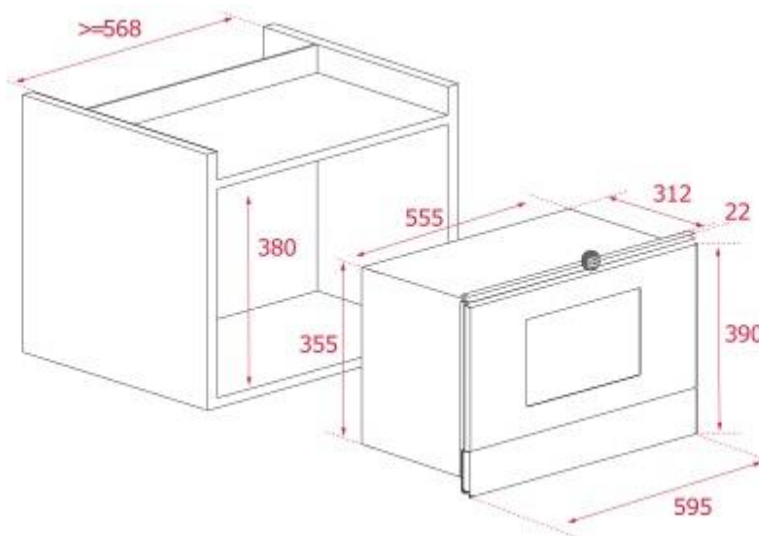


SPECIFICATION SHEET - appliances

BRAND:		Product Photo: 
ORIGIN:	Spain	
SERIES:		
PRODUCT DESCRIPTION:	MS.622 BIS L Microwave + Grill - built in 22 L. Touch Control panel with LED display 5 power levels 850w, 3 cooking functions double glazed door stainless steel inner cavity left door opening	
MODEL No.	4058.4105	
FINISH/COLOUR:	Fingerprint proof stainless steel	
DIMENSIONS:	595 x 390 x 334mm	
OPTIONAL MATCHING PARTS:		

Technical Informations:

Voltage: 220V / 50~60 Hz
 Wattage: 2500 Watts
 Phase: single+grounding



REMINDER:	Do not use cleaners containing abrasive cleansers, ammonia, bleach, acids, waxes, alcohol, solvents or other products not recommended for chrome. All information is for reference only, installation shall always be based on the actual product delivered.
------------------	-----------------------------------------------------------------------------------------------------------------------------------------------------------------------------------------------------------------------------------------------------------------