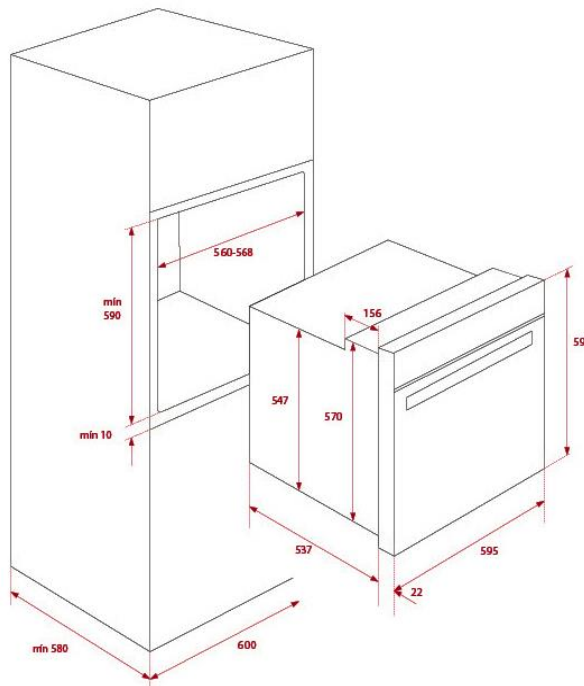


SPECIFICATION SHEET - appliances

BRAND:		Product Photo: 
ORIGIN:	Spain	
SERIES:		
PRODUCT DESCRIPTION:	<p>HBB.615GD E00 Multifuction oven 71/70 L. HydroClean® ECO cleaning system knob control 8 cooking functions anti-tip deep tray, reinforced grid and baking tray double removable glazed door full glass inner door</p>	
MODEL No.	4156.0080	
FINISH/COLOUR:	Fingerprint proof stainless steel	
DIMENSIONS:	595 x 595 x 559mm	
OPTIONAL MATCHING PARTS:		

Technical Informations:

Voltage: 220V / 50~60 Hz
 Wattage: 2500 Watts
 Phase: single+grounding



REMINDER:	<p>Do not use cleaners containing abrasive cleansers, ammonia, bleach, acids, waxes, alcohol, solvents or other products not recommended for chrome.</p> <p>All information is for reference only, installation shall always be based on the actual product delivered.</p>
------------------	--