

I WISH

THEY DO NOT NOTICE THE  
SURPRISE WE ARE COOKING

by  
TEKA HOODS



H O O D S

WISHES COME TRUE

*Delicious aromas with no unpleasant fumes or smells.  
Teka WISH hoods are as efficient and beautiful  
they look like works of art.*



RANGE OVERVIEW



*\_Maestro*



*\_Total*



*\_Easy*

# TEKA HOODS

*Optimum absorption capacity to ensure a comfortable environment*

THANKS TO THEIR TECHNOLOGICAL INNOVATIONS AND FUNCTIONS, TEKA MAKES A QUANTITATIVE LEAP IN ENERGY CONSUMPTION, LIGHTING, ABSORPTION CAPACITY AND RUMOROSITY WITH THE NEW COOKER HOODS.

## ENJOY THEIR POWER AND DESIGN

We like to create new models that offer you a wide variety of advanced control systems. We pay particular attention to aesthetics, because that is as important to you as their absorption capacity, energy consumption or good lighting.

The new Touch Control panels of black glass with white symbols highlight the personality of these extractor hoods.

## ECOPOWER: THE ECOLOGICAL MOTOR

Teka extends its range of EcoPower hoods. Provided with the most efficient, quieter motor that respects the environment and your immediate surroundings. With greater absorption capacity, up to 815 m<sup>3</sup>/h, and lower noise levels (only 37dB at 264m<sup>3</sup>/h of absorption capacity). Plus, energy savings of up to 75% and an energy rating of A++.



## SIMPLY THE BEST

Teka's new hood Perfect A4 obtains the top A rating on the 4 points that must be measured by EU regulation:

- ▶ Energy efficiency - A
- ▶ Fluid dynamic efficiency - A
- ▶ Lighting efficiency - A
- ▶ Grease filtering efficiency - A

## QUADRUPLE

Not only has Teka obtained the A++ best energy label; thanks to its experience as a manufacturer it has achieved optimum balance to obtain an "A" for the other points measured for extractor hoods.





**Slim**  
45 mm

**ULTRASLIM, DESIGN AND ELEGANCE  
WITHIN YOUR REACH**

One of the thinnest hoods on the market. Its slim front panels detract nothing from its extraction capacity or its efficiency.

Discreet, very elegant and easy to clean, they maintain the air you breathe without asking for anything in exchange: That, for us, is true quality.

45 mm



**EASY TO CLEAN**

The new Teka hoods have filters with up to 12 layers of stainless steel. Easy to disassemble and easier yet to wash in the dishwasher.



15 mm

**NEW TIKAL HOODS**

The new **Tikal** and **Perfect A4** hoods incorporate new decorative filters that cover a larger filtering surface. **Tikal's** stylized design has a profile that is only 15mm thick, and lighted electronic controls.



**LED LIGHTING:  
LIVEN UP YOUR KITCHEN**

Long life, triple brightness, and energy consumption that is ten times less than a halogen lamp are some of the benefits of LED lights. Environmentally friendly.

**ASPIRATES ON ALL SIDES**

Perimeter aspiration offers higher efficiency levels. More silence, faster extraction, easier cleaning...

The air, thanks to the **Venturi** effect, accelerates when it passes through the hood's perimeter slits. Then the speed is reduced inside, creating a barrier that prevents the smoke and bad smells from escaping.

The result: a clean, odour-free environment.



37 dB

**QUADRO DLV 998  
THE QUIETEST COOKER HOOD**

Only 37 dB, 75% energy saving thanks to A++ energy class, greater power absorption and freshen the air in the kitchen 27 times/h.



LED

**UNIQUE IN THEIR CLASS**

This describes the new **CNL** pull-out hoods. Notable because of their LED strip, decorative stainless steel filters of new design, with greater extraction capacities, electronic controls with up to 6 speeds, glass-front models and, above all, they now have A-rated energy efficiency.

# WISH HOODS

Minimum consumption, highly accurate and very easy to use

## MAESTRO

Domestic appliances for those who like going one step further. For those who will not settle for being like the rest

## TOTAL

Designed for those who demand everything of their appliances, for everyone in the house. Maximum effectiveness in any situation.

## EASY

For those who prefer no complications in the kitchen without denying themselves an appliance that gives so much while asking for so little in return.

	_ MAESTRO					_ TOTAL				_ EASY		
	120	110	90	70 / 60	40	90	70 / 60	70 / 60	55	90	70 / 60	50
ISLA												
VERTI-CAL												
GLASS WING												
HORIZONTAL												
BUILT-IN												
PULL OUT												
CLASSIC												



NEW

### DHT 1285 INOX CEILING

— \_MAESTRO



ECOPOWER

#### Rim extraction ceiling hood

- EcoPower motor
- Energy Efficiency class: A
- Rim extraction
- Remote control
- Operating pilot light
- 6 speeds+ 4 intensive
- Exhaust capacities:
- Free Outlet, m<sup>3</sup>/h: 920
- Qboost, m<sup>3</sup>/h: 807
- Max., m<sup>3</sup>/h: 631
- Min., m<sup>3</sup>/h: 315
- Noise (LwA) Boost Speed, dB: 66
- Noise (LwA) Max Speed, dB: 60
- Noise (LwA) Min Speed, dB: 47
- 4 LED lamps
- Stainless steel panel; 4 aluminum filters below
- Stop delay timer
- Filer saturation indicator



NEW

### CC 485 INOX

— \_MAESTRO



ECOPOWER

#### Tubular island hood

- EcoPower motor
- Energy Efficiency class: A
- Touch control with white display
- White digital display
- 3 speeds + 1 intensive
- Exhaust capacities:
- Free Outlet, m<sup>3</sup>/h: 920
- Qboost, m<sup>3</sup>/h: 771
- Max., m<sup>3</sup>/h: 525
- Min., m<sup>3</sup>/h: 305
- Noise (LwA) Boost Speed, dB: 78
- Noise (LwA) Max Speed, dB: 72
- Noise (LwA) Min Speed, dB: 50
- 2 LED lamps
- 1 stainless steel filter
- Stop delay timer
- Filer saturation indicator

### CC 480 INOX

- Energy Efficiency class: D
- Exhaust capacities:
- Free Outlet, m<sup>3</sup>/h: 850
- Qboost, m<sup>3</sup>/h: 650
- Max., m<sup>3</sup>/h: 400
- Min., m<sup>3</sup>/h: 295
- Noise (LwA) Boost Speed, dB: 66
- Noise (LwA) Max Speed, dB: 56
- Noise (LwA) Min Speed, dB: 48

COLOR  
Stainless steel

#### EXTERNAL DIMENSIONS

➔ 1200 mm



NEW

### DG3 985 ISLAND

— \_TOTAL



ECOPOWER

#### Glass wing island hood

- EcoPower motor
- Energy Efficiency class: A
- Backlit electronic panel with white display
- 3 speeds + 1 intensive
- Exhaust capacities:
- Free Outlet, m<sup>3</sup>/h: 920
- Qboost, m<sup>3</sup>/h: 796
- Max., m<sup>3</sup>/h: 605
- Min., m<sup>3</sup>/h: 311
- Noise (LwA) Boost Speed, dB: 71
- Noise (LwA) Max Speed, dB: 66
- Noise (LwA) Min Speed, dB: 52
- 4 LED lamps
- 2 stainless steel filters
- Reinforced transparent glass
- Stop delay timer
- Filer saturation indicator

### DG3 980 ISLAND

- Energy Efficiency class: D
- Exhaust capacities:
- Free Outlet, m<sup>3</sup>/h: 850
- Qboost, m<sup>3</sup>/h: 650
- Max., m<sup>3</sup>/h: 400
- Min., m<sup>3</sup>/h: 295
- Noise (LwA) Boost Speed, dB: 66
- Noise (LwA) Max Speed, dB: 56
- Noise (LwA) Min Speed, dB: 48

COLOR  
Stainless steel

#### EXTERNAL DIMENSIONS

➔ 900 mm



NEW

### DPL 1185 ISLAND

— \_MAESTRO



ECOPOWER

#### Rim extraction island hood

- EcoPower motor
- Energy Efficiency class: A
- Touch control with white display
- 3 speeds + 1 intensive
- Exhaust capacities:
- Free Outlet, m<sup>3</sup>/h: 920
- Qboost, m<sup>3</sup>/h: 782
- Max., m<sup>3</sup>/h: 629
- Min., m<sup>3</sup>/h: 331
- Noise (LwA) Boost Speed, dB: 69
- Noise (LwA) Max Speed, dB: 66
- Noise (LwA) Min Speed, dB: 54
- 4 LED lamps
- Inox panel; 3 aluminum filters below
- Reinforced Black Glass
- Stop delay timer
- Filter saturation indicator

### DPL 1180 ISLAND

- Energy Efficiency class: D
- Exhaust capacities:
- Free Outlet, m<sup>3</sup>/h: 850
- Qboost, m<sup>3</sup>/h: 652
- Max., m<sup>3</sup>/h: 400
- Min., m<sup>3</sup>/h: 295
- Noise (LwA) Boost Speed, dB: 65
- Noise (LwA) Max Speed, dB: 55
- Noise (LwA) Min Speed, dB: 45

COLOR  
Stainless steel - Black glass upper part

#### EXTERNAL DIMENSIONS

➔ 1100 mm



NEW

### DH2 1285/985 ISLAND

— \_MAESTRO



ECOPOWER

#### Island hood

- EcoPower motor
- Energy Efficiency class: A
- Backlit electronic panel with white display
- 3 speeds + 1 intensive
- Exhaust capacities:
- Free Outlet, m<sup>3</sup>/h: 920
- Qboost, m<sup>3</sup>/h: 796
- Max., m<sup>3</sup>/h: 605
- Min., m<sup>3</sup>/h: 311
- Noise (LwA) Boost Speed, dB: 71
- Noise (LwA) Max Speed, dB: 66
- Noise (LwA) Min Speed, dB: 52
- 4 LED lamps
- 4/3 stainless steel-aluminium filters
- Reinforced Black Glass
- Easy to clean inside panel
- Stop delay timer

### DH2 980 ISLAND

- Energy Efficiency class: D
- Exhaust capacities:
- Free Outlet, m<sup>3</sup>/h: 850
- Qboost, m<sup>3</sup>/h: 650
- Max., m<sup>3</sup>/h: 400
- Min., m<sup>3</sup>/h: 295
- Noise (LwA) Boost Speed, dB: 66
- Noise (LwA) Max Speed, dB: 56
- Noise (LwA) Min Speed, dB: 48

COLOR  
Stainless steel - Black glass upper part

#### EXTERNAL DIMENSIONS

➔ 1200 / 900 mm



NEW

### DSB 985 ISLAND

— \_TOTAL



ECOPOWER

#### Island hood

- EcoPower motor
- Energy Efficiency class: A
- Backlit electronic panel with white display
- 3 speeds + 1 intensive
- Exhaust capacities:
- Free Outlet, m<sup>3</sup>/h: 920
- Qboost, m<sup>3</sup>/h: 796
- Max., m<sup>3</sup>/h: 605
- Min., m<sup>3</sup>/h: 311
- Noise (LwA) Boost Speed, dB: 71
- Noise (LwA) Max Speed, dB: 66
- Noise (LwA) Min Speed, dB: 52
- 4 LED lamps
- 3 aluminium filters
- Easy to clean inside panel
- Stop delay timer
- Filter saturation indicator

### EXTERNAL DIMENSIONS

- Energy Efficiency class: D
- Exhaust capacities:
- Free Outlet, m<sup>3</sup>/h: 850
- Qboost, m<sup>3</sup>/h: 650
- Max., m<sup>3</sup>/h: 400
- Min., m<sup>3</sup>/h: 295
- Noise (LwA) Boost Speed, dB: 66
- Noise (LwA) Max Speed, dB: 56
- Noise (LwA) Min Speed, dB: 48

COLOR  
Stainless steel

#### EXTERNAL DIMENSIONS

➔ 900 mm



NEW

### DU 985 CRISTAL

MAESTRO



ECOPOWER

#### Vertical decorative hood

- EcoPower motor
- Energy Efficiency class: A
- Touch control White display
- 3 speeds + 1 intensive
- Exhaust capacities:
- Free Outlet, m<sup>3</sup>/h: 920
- Qboost, m<sup>3</sup>/h: 807
- Max., m<sup>3</sup>/h: 631
- Min., m<sup>3</sup>/h: 315
- Noise (LwA) Boost Speed, dB: 72
- Noise (LwA) Max Speed, dB: 68
- Noise (LwA) Min Speed, dB: 56
- 4 LED lamps
- 1 stainless steel filter
- Easy to clean inside panel
- Stop delay timer
- Filter saturation indicator



### DVC 560

EASY



#### Vertical decorative hood

- Touch control panel
- Operating pilot light
- 3 speeds
- Exhaust capacities:
- Free Outlet, m<sup>3</sup>/h: 553
- Max., m<sup>3</sup>/h: 518
- Min., m<sup>3</sup>/h: 431
- Noise (LwA) Max Speed, dB: 59
- Noise (LwA) Min Speed, dB: 50
- 2 LED lamps
- Glass panel; 1 aluminum filter below
- Stop delay timer



### DVT 950/650

EASY



#### Vertical decorative hood

- Rim extraction
- Touch control panel
- 3 speeds
- Exhaust capacities:
- Free Outlet, m<sup>3</sup>/h: 475
- Max., m<sup>3</sup>/h: 380
- Min., m<sup>3</sup>/h: 234
- Noise (LwA) Max Speed, dB: 64
- Noise (LwA) Min Speed, dB: 49
- 2 LED lamps
- 1 Glass panel; aluminum filter below
- Stop delay timer
- Filter saturation indicator



### DVT 985/785/685

MAESTRO



ECOPOWER

#### Vertical decorative hood

- EcoPower motor
- Energy Efficiency class: A
- Rim extraction
- Touch control panel
- 3 speeds + 1 intensive
- Exhaust capacities:
- Free Outlet, m<sup>3</sup>/h: 895
- Qboost, m<sup>3</sup>/h: 786
- Max., m<sup>3</sup>/h: 599
- Min., m<sup>3</sup>/h: 303
- Noise (LwA) Boost Speed, dB: 71
- Noise (LwA) Max Speed, dB: 66
- Noise (LwA) Min Speed, dB: 52
- 2 LED lamps
- 1 Glass panel; aluminum filter below
- Stop delay timer
- Filter saturation indicator



NEW

### QUADRO DLV 998

MAESTRO



ECOPOWER

#### Vertical decorative hood

- EcoPower motor
- Energy Efficiency class: A++
- Rim extraction
- Touch control panel
- 3 speeds + 1 intensive
- Exhaust capacities:
- Free Outlet, m<sup>3</sup>/h: 890
- Qboost, m<sup>3</sup>/h: 815
- Max., m<sup>3</sup>/h: 626
- Min., m<sup>3</sup>/h: 264
- Noise (LwA) Boost Speed, dB: 65
- Noise (LwA) Max Speed, dB: 58
- Noise (LwA) Min Speed, dB: 37
- 1 LED bar
- Glass panel; 2 aluminum filter below
- Stop delay timer
- Filter saturation indicator



### DVU 590/560

MAESTRO



#### Vertical decorative hood

- Touch control panel
- Energy Efficiency class: D
- Remote control
- 3 speeds
- Exhaust capacities:
- Free Outlet, m<sup>3</sup>/h: 553
- Max., m<sup>3</sup>/h: 538
- Min., m<sup>3</sup>/h: 443
- Noise (LwA) Max Speed, dB: 59
- Noise (LwA) Min Speed, dB: 50
- 2 LED lamps
- Glass panel; 2/1 aluminium filters
- Stop delay timer

### DVT 980/780/680

- Energy Efficiency class: D
- Free Outlet, m<sup>3</sup>/h: 825
- Qboost, m<sup>3</sup>/h: 730
- Max., m<sup>3</sup>/h: 423
- Min., m<sup>3</sup>/h: 259
- Noise (LwA) Boost Speed, dB: 69
- Noise (LwA) Max Speed, dB: 58
- Noise (LwA) Min Speed, dB: 50

### QUADRO DLV 985

- Energy Efficiency class: A
- Free Outlet, m<sup>3</sup>/h: 814
- Qboost, m<sup>3</sup>/h: 782
- Max., m<sup>3</sup>/h: 614
- Min., m<sup>3</sup>/h: 325
- Noise (LwA) Boost Speed, dB: 72
- Noise (LwA) Max Speed, dB: 65
- Noise (LwA) Min Speed, dB: 54

COLOR  
Black

EXTERNAL DIMENSIONS

➔ 900 mm

COLOR  
Black / White

EXTERNAL DIMENSIONS

➔ 600 mm

COLOR  
Black / White

EXTERNAL DIMENSIONS

➔ 900 / 600 mm

COLOR  
Black / White

EXTERNAL DIMENSIONS

➔ 900 / 700 / 600 mm

COLOR  
Black / White

EXTERNAL DIMENSIONS

➔ 900 / 600 mm

COLOR  
Black / White

EXTERNAL DIMENSIONS

➔ 900 / 600 mm



NEW



### DQ2 985

— **\_MAESTRO**



**ECOPOWER**

#### Glass wing decorative hood

- Corner installation
- EcoPower motor
- Energy Efficiency class: A
- Backlit electronic panel with white display
- 3 speeds + 1 intensive
- Exhaust capacities:
- Free Outlet, m<sup>3</sup>/h: 920
- Qboost, m<sup>3</sup>/h: 807
- Max., m<sup>3</sup>/h: 631
- Min., m<sup>3</sup>/h: 315
- Noise (LwA) Boost Speed, dB: 72
- Noise (LwA) Max Speed, dB: 68
- Noise (LwA) Min Speed, dB: 56
- 3 LED lamps
- 2 stainless steel filters
- Reinforced glass upper structure
- Easy to clean inside panel
- Stop delay timer
- Filter saturation indicator



### DGE 90/60

— **\_EASY**



#### Glass wing decorative hood

- Push button control panel
- Operating pilot light
- Energy Efficiency class: E
- 3 speeds
- Exhaust capacities:
- Free Outlet, m<sup>3</sup>/h: 475
- Max., m<sup>3</sup>/h: 380
- Min., m<sup>3</sup>/h: 234
- Noise (LwA) Max Speed, dB: 57
- Noise (LwA) Min Speed, dB: 43
- 2 Integrated halogen lamps
- 1 aluminium filter
- Reinforced glass upper structure



### DG 950/750/650

— **\_EASY**



#### Ultraslim glass wing decorative hood

- Push button control panel
- Operating pilot light
- Energy Efficiency class: E
- 3 speeds
- Exhaust capacities:
- Free Outlet, m<sup>3</sup>/h: 475
- Max., m<sup>3</sup>/h: 380
- Min., m<sup>3</sup>/h: 234
- Noise (LwA) Max Speed, dB: 64
- Noise (LwA) Min Speed, dB: 49
- 2 Integrated halogen lamps
- 1 aluminium filter
- Reinforced glass upper structure



### DG3 90/60

— **\_EASY**



#### Glass wing decorative hood

- Backlit electronic panel with red display
- Operating pilot light
- Energy Efficiency class: D
- 3 speeds + 1 intensive
- Exhaust capacities:
- Free Outlet, m<sup>3</sup>/h: 850
- Qboost, m<sup>3</sup>/h: 650
- Max., m<sup>3</sup>/h: 400
- Min., m<sup>3</sup>/h: 295
- Noise (LwA) Boost Speed, dB: 66,2
- Noise (LwA) Max Speed, dB: 55,8
- Noise (LwA) Min Speed, dB: 47,9
- 2 Integrated halogen lamps
- 1 stainless steel filter
- Stop delay timer
- Reinforced glass upper structure



### DG 985/785/685

— **\_TOTAL**



**ECOPOWER**

#### Ultraslim glass wing decorative hood

- EcoPower motor
- Energy Efficiency class: A
- Backlit electronic panel with white display
- 3 speeds + 1 intensive
- Exhaust capacities:
- Free Outlet, m<sup>3</sup>/h: 895
- Qboost, m<sup>3</sup>/h: 807
- Max., m<sup>3</sup>/h: 631
- Min., m<sup>3</sup>/h: 315
- Noise (LwA) Boost Speed, dB: 72
- Noise (LwA) Max Speed, dB: 68
- Noise (LwA) Min Speed, dB: 56
- 2 LED lamps
- 1 stainless steel filter
- Reinforced glass upper structure
- Stop delay timer
- Filter saturation indicator



### NCE 90/60

— **\_EASY**



#### Glass wing decorative hood

- Push button control panel
- Operating pilot light
- Energy Efficiency class: E
- 3 speeds
- Exhaust capacities:
- Free Outlet, m<sup>3</sup>/h: 475
- Max., m<sup>3</sup>/h: 380
- Min., m<sup>3</sup>/h: 234
- Noise (LwA) Max Speed, dB: 57
- Noise (LwA) Min Speed, dB: 43
- 2 Integrated halogen lamps
- 1 aluminium filter
- Reinforced glass upper structure

### DG 980/780/680

- Energy Efficiency class: D
- Exhaust capacities:
- Free Outlet, m<sup>3</sup>/h: 825
- Qboost, m<sup>3</sup>/h: 637
- Max., m<sup>3</sup>/h: 402
- Min., m<sup>3</sup>/h: 298
- Noise (LwA) Boost Speed, dB: 70
- Noise (LwA) Max Speed, dB: 60
- Noise (LwA) Min Speed, dB: 52

#### COLOR

Stainless steel - Glass wing

#### EXTERNAL DIMENSIONS

➔ 900 mm

#### COLOR

Stainless steel - Glass wing (60)  
Stainless steel - Fume glass wing (90/60)

#### EXTERNAL DIMENSIONS

➔ 900 / 600 mm

#### COLOR

Stainless steel - Glass wing

#### EXTERNAL DIMENSIONS

➔ 900 / 700 / 600 mm

#### COLOR

Stainless steel - Glass wing

#### EXTERNAL DIMENSIONS

➔ 900 / 600 mm

#### COLOR

Stainless steel - Glass wing

#### EXTERNAL DIMENSIONS

➔ 900 / 700 / 600 mm

#### COLOR

Stainless steel - Glass wing (90/60)  
Stainless steel - Fume glass wing (60)

#### EXTERNAL DIMENSIONS

➔ 900 / 600 mm



### NC 950/750/650

— EASY



#### Ultraslim glass wing decorative hood

Push button control panel  
 Operating pilot light  
 Energy Efficiency class: E  
 3 speeds  
 Exhaust capacities:  
 Free Outlet, m<sup>3</sup>/h: 475  
 Max., m<sup>3</sup>/h: 380  
 Min., m<sup>3</sup>/h: 234  
 Noise (LwA) Max Speed, dB: 57  
 Noise (LwA) Min Speed, dB: 43  
 2 Integrated halogen lamps  
 1 aluminium filter  
 Reinforced glass upper structure

**COLOR**  
 Stainless steel - Glass wing

**EXTERNAL DIMENSIONS**  
 → 900 / 700 / 600 mm



### NC2 90/70/60

— EASY



#### Glass wing decorative hood

Backlit electronic panel with red display  
 Energy Efficiency class: D  
 3 speeds + 1 intensive  
 Exhaust capacities:  
 Free Outlet, m<sup>3</sup>/h: 850  
 Qboost, m<sup>3</sup>/h: 650  
 Max., m<sup>3</sup>/h: 400  
 Min., m<sup>3</sup>/h: 295  
 Noise (LwA) Boost Speed, dB: 66  
 Noise (LwA) Max Speed, dB: 56  
 Noise (LwA) Min Speed, dB: 48  
 2 Integrated halogen lamps  
 1 stainless steel filter  
 Stop delay timer  
 Reinforced glass upper structure

**COLOR**  
 Stainless steel (90/70/60)  
 Fume glass wing (90)  
 Black - Black glass wing (90/60)

**EXTERNAL DIMENSIONS**  
 → 900 / 700 / 600 mm



### NC 985/785/685

— TOTAL



**ECOPOWER**

#### Ultraslim glass wing decorative hood

EcoPower motor  
 Backlit electronic panel with white display  
 Operating pilot light  
 Energy Efficiency class: A  
 3 speeds + 1 intensive  
 Exhaust capacities:  
 Free Outlet, m<sup>3</sup>/h: 895  
 Qboost, m<sup>3</sup>/h: 807  
 Max., m<sup>3</sup>/h: 631  
 Min., m<sup>3</sup>/h: 315  
 Noise (LwA) Boost Speed, dB: 72  
 Noise (LwA) Max Speed, dB: 68  
 Noise (LwA) Min Speed, dB: 56  
 2 LED lamps  
 1 stainless steel  
 Reinforced glass upper structure  
 Stop delay timer  
 Filter saturation indicator

### NC 980/780/680

Energy Efficiency class: D  
 Exhaust capacities:  
 Free Outlet, m<sup>3</sup>/h: 825  
 Qboost, m<sup>3</sup>/h: 637  
 Max., m<sup>3</sup>/h: 402  
 Min., m<sup>3</sup>/h: 298  
 Noise (LwA) Boost Speed, dB: 70  
 Noise (LwA) Max Speed, dB: 60  
 Noise (LwA) Min Speed, dB: 52

**COLOR**  
 Stainless steel - Glass wing

**EXTERNAL DIMENSIONS**  
 → 900 / 700 / 600 mm



### DF 90

— TOTAL



#### Glass wing decorative hood

Electronic control panel  
 Operating Pilot Light  
 Energy Efficiency class: D  
 3 speeds + 1 intensive  
 Exhaust capacities:  
 Free Outlet, m<sup>3</sup>/h: 850  
 Qboost, m<sup>3</sup>/h: 650  
 Max., m<sup>3</sup>/h: 400  
 Min., m<sup>3</sup>/h: 295  
 Noise (LwA) Boost Speed, dB: 66  
 Noise (LwA) Max Speed, dB: 56  
 Noise (LwA) Min Speed, dB: 48  
 2 Integrated halogen lamps  
 2 stainless steel filters  
 Easy to clean inside panel  
 Stop delay timer  
 Filter saturation indicator  
 Moisture Sensor  
 Reinforced glass upper structure

**COLOR**  
 Stainless steel - Glass wing

**EXTERNAL DIMENSIONS**  
 → 900 mm



### DJE 90/60

— EASY



#### Decorative hood

Push Buttons Control Panel  
 Operating Pilot Light  
 Energy Efficiency class: E  
 3 speeds  
 Exhaust capacities:  
 Free Outlet, m<sup>3</sup>/h: 475  
 Max., m<sup>3</sup>/h: 380  
 Min., m<sup>3</sup>/h: 234  
 Noise (LwA) Max Speed, dB: 57  
 Noise (LwA) Min Speed, dB: 43  
 2 Integrated halogen lamps  
 3/2 aluminium filters  
 Reinforced black glass upper structure

**COLOR**  
 Stainless Steel-Black glass upper part

**EXTERNAL DIMENSIONS**  
 → 900 / 600 mm



### DJ 980/680

— EASY



#### Ultraslim decorative hood

Push Buttons Control Panel  
 Operating Pilot Light  
 3 speeds  
 Exhaust capacities:  
 Free Outlet, m<sup>3</sup>/h: 850  
 Max., m<sup>3</sup>/h: 780  
 Min., m<sup>3</sup>/h: 240  
 Noise (LwA) Max Speed, dB: 66  
 Noise (LwA) Min Speed, dB: 48  
 2 Integrated halogen lamps  
 3/2 stainless Steel filters

### DJ 950/750/650

Energy Efficiency class: E  
 Exhaust capacities:  
 Free Outlet, m<sup>3</sup>/h: 475  
 Max., m<sup>3</sup>/h: 380  
 Min., m<sup>3</sup>/h: 234  
 Noise (LwA) Max Speed, dB: 64  
 Noise (LwA) Min Speed, dB: 49  
 3/2 aluminium filters

**COLOR**  
 Stainless Steel

**EXTERNAL DIMENSIONS**  
 → 900 / 700 / 600 mm  
 → 900 / 600 mm (DJ 980 / 680)





### DH2 90/70/60

— \_EASY



#### Decorative hood

Backlit electronic panel with red display  
 3 speeds + 1 intensive  
 Exhaust capacities:  
 Free Outlet, m<sup>3</sup>/h: 850  
 Qboost, m<sup>3</sup>/h: 650  
 Max., m<sup>3</sup>/h: 400  
 Min., m<sup>3</sup>/h: 295  
 Noise (LwA) Boost Speed, dB: 66  
 Noise (LwA) Max Speed, dB: 56  
 Noise (LwA) Min Speed, dB: 48  
 2 Integrated halogen lamps  
 3/2 stainless steel  
 Reinforced black glass upper structure  
 Easy to clean inside panel  
 Stop delay timer



### DH 985/785/685

— \_TOTAL



**ECOPOWER**

#### Ultraslim decorative hood

EcoPower motor  
 Energy Efficiency class: A  
 Backlit electronic control with white display  
 3 speeds + 1 intensive  
 Exhaust capacities:  
 Free Outlet, m<sup>3</sup>/h: 920  
 Qboost, m<sup>3</sup>/h: 807  
 Max., m<sup>3</sup>/h: 631  
 Min., m<sup>3</sup>/h: 315  
 Noise (LwA) Boost Speed, dB: 72  
 Noise (LwA) Max Speed, dB: 68  
 Noise (LwA) Min Speed, dB: 56  
 3 LED lamps  
 2 stainless steel filters  
 Stop delay timer



### DH 1185/98785/ 685 T

— \_MAESTRO



**ECOPOWER**

#### Ultraslim decorative hood

EcoPower motor  
 Energy Efficiency class: A  
 Touch control panel  
 Operating Pilot Light  
 3 speeds + 1 intensive  
 Exhaust capacities:  
 Free Outlet, m<sup>3</sup>/h: 920  
 Qboost, m<sup>3</sup>/h: 807  
 Max., m<sup>3</sup>/h: 631  
 Min., m<sup>3</sup>/h: 315  
 Noise (LwA) Boost Speed, dB: 72  
 Noise (LwA) Max Speed, dB: 68  
 Noise (LwA) Min Speed, dB: 56  
 2 LED lamps  
 4/3/2 stainless steel filters  
 Stop delay timer  
 Filter saturation indicator

NEW



### PERFECTA 4 DLH 1185/985 T

— \_MAESTRO



**ECOPOWER 4<sup>A</sup>**

#### Ultraslim decorative hood

EcoPower motor  
 Energy Efficiency class: A  
 Touch control panel  
 Operating Pilot Light  
 3 speeds + 1 intensive  
 Exhaust capacities:  
 Free Outlet, m<sup>3</sup>/h: 795  
 Qboost, m<sup>3</sup>/h: 740  
 Max., m<sup>3</sup>/h: 586  
 Min., m<sup>3</sup>/h: 306  
 Noise (LwA) Boost Speed, dB: 72  
 Noise (LwA) Max Speed, dB: 68  
 Noise (LwA) Min Speed, dB: 54  
 1 LED BAR  
 3 stainless steel filters (12 layers)  
 Stop delay timer  
 Filter saturation indicator



### DHC 90 SLIM

— \_MAESTRO



#### Ultraslim decorative hood

Touch control panel  
 Energy Efficiency class: D  
 3 speeds + 1 intensive  
 Exhaust capacities:  
 Free Outlet, m<sup>3</sup>/h: 850  
 Qboost, m<sup>3</sup>/h: 650  
 Max., m<sup>3</sup>/h: 400  
 Min., m<sup>3</sup>/h: 295  
 Noise (LwA) Boost Speed, dB: 66  
 Noise (LwA) Max Speed, dB: 56  
 Noise (LwA) Min Speed, dB: 48  
 4 LED lamps  
 1 stainless steel filter  
 Easy to clean inside panel  
 Stop delay timer



### DPS 90/70 SLIM

— \_MAESTRO



#### Ultraslim decorative hood

Rim extraction  
 Touch control panel  
 Energy Efficiency class: E  
 3 speeds  
 Exhaust capacities:  
 Free Outlet, m<sup>3</sup>/h: 475  
 Max., m<sup>3</sup>/h: 380  
 Min., m<sup>3</sup>/h: 234  
 Noise (LwA) Max Speed, dB: 54,7  
 Noise (LwA) Min Speed, dB: 41,5  
 2 Integrated halogen lamps  
 2 stainless steel panel; aluminum filters bellow  
 Reinforced black glass upper structure  
 Stop delay timer

### DH 980/780/680

Energy Efficiency class: D  
 Exhaust capacities:  
 Free Outlet, m<sup>3</sup>/h: 850  
 Qboost, m<sup>3</sup>/h: 637  
 Max., m<sup>3</sup>/h: 402  
 Min., m<sup>3</sup>/h: 298  
 Noise (LwA) Boost Speed, dB: 70  
 Noise (LwA) Max Speed, dB: 60  
 Noise (LwA) Min Speed, dB: 52

### DH 1180/980/780/680 T

Energy Efficiency class: D  
 Exhaust capacities:  
 Free Outlet, m<sup>3</sup>/h: 850  
 Qboost, m<sup>3</sup>/h: 637  
 Max., m<sup>3</sup>/h: 402  
 Min., m<sup>3</sup>/h: 298  
 Noise (LwA) Boost Speed, dB: 70  
 Noise (LwA) Max Speed, dB: 60  
 Noise (LwA) Min Speed, dB: 52

**COLOR**  
 Stainless Steel-Black glass upper part

**EXTERNAL DIMENSIONS**  
 ➔ 900 / 700 / 600 mm

**COLOR**  
 Stainless steel

**EXTERNAL DIMENSIONS**  
 ➔ 900 / 700 / 600 mm

**COLOR**  
 Stainless steel

**EXTERNAL DIMENSIONS**  
 ➔ 1100 / 900 / 700 / 600 mm

**COLOR**  
 Stainless steel / Black

**EXTERNAL DIMENSIONS**  
 ➔ 1100 / 900 mm

**COLOR**  
 Stainless steel / Black

**EXTERNAL DIMENSIONS**  
 ➔ 900 mm

**COLOR**  
 Stainless Steel-Black glass upper part

**EXTERNAL DIMENSIONS**  
 ➔ 900 / 700 mm



NEW

### DPL 985.1 T

— **\_MAESTRO**



**ECOPOWER**

#### Decorative hood

EcoPower motor  
 Energy Efficiency class: A  
 Rim extraction  
 Touch control White display  
 3 speeds + 1 intensive  
 Exhaust capacities:  
 Free Outlet, m<sup>3</sup>/h: 920  
 Qboost, m<sup>3</sup>/h: 782  
 Max., m<sup>3</sup>/h: 629  
 Min., m<sup>3</sup>/h: 331  
 Noise (LwA) Boost Speed, dB: 69  
 Noise (LwA) Max Speed, dB: 66  
 Noise (LwA) Min Speed, dB: 54  
 4 LED lamps  
 Stainless steel panel; 2 aluminum filters bellow  
 Reinforced black glass upper structure  
 Stop delay timer  
 Filter saturation indicator

### DPL 980 T

Free Outlet, m<sup>3</sup>/h: 850  
 Qboost, m<sup>3</sup>/h: 650  
 Max., m<sup>3</sup>/h: 400  
 Min., m<sup>3</sup>/h: 295  
 Noise (LwA) Boost Speed, dB: 65  
 Noise (LwA) Max Speed, dB: 55  
 Noise (LwA) Min Speed, dB: 45

#### COLOR

Stainless Steel-Black glass upper part

#### EXTERNAL DIMENSIONS

➔ 900 mm



### DEP 90 / 70 / 60

— **\_EASY**



#### Pyramidal decorative hood

Push buttons control panel  
 Operating Pilot Light  
 Energy Efficiency class: E  
 3 speeds  
 Exhaust capacities:  
 Free Outlet, m<sup>3</sup>/h: 475  
 Max., m<sup>3</sup>/h: 380  
 Min., m<sup>3</sup>/h: 234  
 Noise (LwA) Max Speed, dB: 60  
 Noise (LwA) Min Speed, dB: 44  
 2 Incandescent lamps  
 3/2 aluminum filters

#### COLOR

Stainless steel

#### EXTERNAL DIMENSIONS

➔ 900 / 700 / 600 mm



### DBB 90 / 70 / 60 HP

— **\_EASY**



#### Pyramidal decorative hood

Push buttons control panel  
 Operating Pilot Light  
 3 speeds  
 Exhaust capacities:  
 Free Outlet, m<sup>3</sup>/h: 850  
 Max., m<sup>3</sup>/h: 780  
 Min., m<sup>3</sup>/h: 240  
 Noise (LwA) Max Speed, dB: 56  
 Noise (LwA) Min Speed, dB: 48  
 2 Incandescent lamps  
 3/2 aluminum filters

### DBB 90 / 70 / 60

Energy Efficiency class: E  
 Exhaust capacities:  
 Free Outlet, m<sup>3</sup>/h: 475  
 Max., m<sup>3</sup>/h: 380  
 Min., m<sup>3</sup>/h: 234  
 Noise (LwA) Max Speed, dB: 60  
 Noise (LwA) Min Speed, dB: 44

#### COLOR

Stainless Steel / Black (DBB 90/70/60)

#### EXTERNAL DIMENSIONS

➔ 900 / 700 / 600 mm



### DBP 90 / 70 / 60 PRO EEC / EU

— **\_EASY**



#### Pyramidal decorative hood

Push buttons control panel  
 Operating Pilot Light  
 Energy Efficiency class: D  
 3 speeds + 1 intensive  
 Exhaust capacities:  
 Free Outlet, m<sup>3</sup>/h: 650  
 Max., m<sup>3</sup>/h: 613  
 Min., m<sup>3</sup>/h: 318  
 Noise (LwA) Max Speed, dB: 68  
 Noise (LwA) Min Speed, dB: 55  
 2 halogen lamps  
 3/2 stainless Steel filters

#### COLOR

Stainless steel

#### EXTERNAL DIMENSIONS

➔ 900 / 700 / 600 mm



NEW

### TIKAL DSS 985 / 785

— **\_TOTAL**



**ECOPOWER**

#### Pyramidal decorative hood

EcoPower motor  
 Energy Efficiency class: A  
 Illuminated push buttons  
 3 speeds + 1 intensive  
 Exhaust capacities:  
 Free Outlet, m<sup>3</sup>/h: 792  
 Qboost, m<sup>3</sup>/h: 760  
 Max., m<sup>3</sup>/h: 597  
 Min., m<sup>3</sup>/h: 303  
 Noise (LwA) Boost Speed, dB: 73  
 Noise (LwA) Max Speed, dB: 68  
 Noise (LwA) Min Speed, dB: 54  
 1 LED bar  
 3/2 Stainless Steel filters  
 Stop delay timer

#### COLOR

Stainless steel

#### EXTERNAL DIMENSIONS

➔ 900 / 700 mm



NEW

### DM 975 / 775 / 675

— **\_EASY**



**ECOPOWER**

#### Pyramidal decorative hood

Energy Efficiency class: A  
 Push buttons Control Panel  
 Operating Pilot Light  
 4 speeds  
 Exhaust capacities:  
 Free Outlet, m<sup>3</sup>/h: 650  
 Max., m<sup>3</sup>/h: 603  
 Min., m<sup>3</sup>/h: 283  
 Noise (LwA) Max Speed, dB: 67  
 Noise (LwA) Min Speed, dB: 53  
 2 LED lamps  
 3/2 Stainless Steel filters

#### COLOR

Stainless steel / White

#### EXTERNAL DIMENSIONS

➔ 900 / 700 / 600 mm



NEW

### DMR 975

— \_EASY



**ECOPOWER**

#### Rustic decorative hood

Energy Efficiency class: A  
 Push buttons control panel  
 Operating Pilot Light  
 4 speeds  
 Exhaust capacities:  
 Free Outlet, m<sup>3</sup>/h: 650  
 Max., m<sup>3</sup>/h: 603  
 Min., m<sup>3</sup>/h: 283  
 Noise (LwA) Max Speed, dB: 67  
 Noise (LwA) Min Speed, dB: 53  
 2 LED lamps  
 3 aluminium filters



### DOS 90.1/60.1 BB/AB

— \_TOTAL



#### Rustic decorative hood

Electronic control panel  
 Operating Pilot Light  
 3 speeds  
 Exhaust capacities:  
 Free Outlet, m<sup>3</sup>/h: 650  
 Max., m<sup>3</sup>/h: 603  
 Min., m<sup>3</sup>/h: 256  
 Noise (LwA) Max Speed, dB: 66  
 Noise (LwA) Min Speed, dB: 51  
 2 halogen lamps  
 2 aluminium filters



NEW

### ANJANA 970 VN

— \_TOTAL



#### Country style decorative hood

Digital Display  
 Operating pilot light  
 Energy Efficiency class: C  
 4 speeds + 1 intensive  
 Exhaust capacities:  
 Free Outlet, m<sup>3</sup>/h: 734  
 Qboost, m<sup>3</sup>/h: 730  
 Max., m<sup>3</sup>/h: 605  
 Min., m<sup>3</sup>/h: 375  
 Noise (LwA) Boost Speed, dB: 69  
 Noise (LwA) Max Speed, dB: 65  
 Noise (LwA) Min Speed, dB: 54  
 2 halogen lamps  
 2 aluminium filters



NEW

### LANIA 970 BG

— \_TOTAL



#### Country style decorative hood

Digital Display  
 Energy Efficiency class: C  
 4 speeds + 1 intensive  
 Exhaust capacities:  
 Free Outlet, m<sup>3</sup>/h: 734  
 Qboost, m<sup>3</sup>/h: 730  
 Max., m<sup>3</sup>/h: 605  
 Min., m<sup>3</sup>/h: 375  
 Noise (LwA) Boost Speed, dB: 69  
 Noise (LwA) Max Speed, dB: 65  
 Noise (LwA) Min Speed, dB: 54  
 2 halogen lamps  
 2 aluminium filters

### LANIA 670 BG

Free Outlet, m<sup>3</sup>/h: 763  
 Qboost, m<sup>3</sup>/h: 745  
 Max., m<sup>3</sup>/h: 630  
 Min., m<sup>3</sup>/h: 360  
 1 aluminium filter



NEW

### TRASGA 970 VN

— \_TOTAL



#### Country style decorative hood

Digital Display  
 Energy Efficiency class: C  
 4 speeds + 1 intensive  
 Exhaust capacities:  
 Free Outlet, m<sup>3</sup>/h: 734  
 Qboost, m<sup>3</sup>/h: 730  
 Max., m<sup>3</sup>/h: 605  
 Min., m<sup>3</sup>/h: 375  
 Noise (LwA) Boost Speed, dB: 69  
 Noise (LwA) Max Speed, dB: 65  
 Noise (LwA) Min Speed, dB: 54  
 2 halogen lamps  
 2 aluminium filters



NEW

### OSA 970 VN

— \_TOTAL



#### Country style decorative hood

Digital Display  
 Energy Efficiency class: C  
 4 speeds + 1 intensive  
 Exhaust capacities:  
 Free Outlet, m<sup>3</sup>/h: 734  
 Qboost, m<sup>3</sup>/h: 730  
 Max., m<sup>3</sup>/h: 605  
 Min., m<sup>3</sup>/h: 375  
 Noise (LwA) Boost Speed, dB: 69  
 Noise (LwA) Max Speed, dB: 65  
 Noise (LwA) Min Speed, dB: 54  
 2 halogen lamps  
 2 aluminium filters

### OSA 670 VN

Free Outlet, m<sup>3</sup>/h: 763  
 Qboost, m<sup>3</sup>/h: 745  
 Max., m<sup>3</sup>/h: 630  
 Min., m<sup>3</sup>/h: 360  
 1 aluminium filter

**COLOR**  
 Anthracite / Gold Frame and Buttons

#### EXTERNAL DIMENSIONS

➔ 900 mm

**COLOR**  
 Anthracite-Brass / Beige-Brass

#### EXTERNAL DIMENSIONS

➔ 900 / 600 mm

**COLOR**  
 Vanilla

#### EXTERNAL DIMENSIONS

➔ 900 mm

**COLOR**  
 Beige

#### EXTERNAL DIMENSIONS

➔ 900 / 600 mm

**COLOR**  
 Vanilla

#### EXTERNAL DIMENSIONS

➔ 900 mm

**COLOR**  
 Vanilla

#### EXTERNAL DIMENSIONS

➔ 900 / 600 mm



### DHI 90 DECOR PANEL

— **\_MAESTRO**



#### Built in/free installation decorative hood

Backlit Electronic control panel  
Operating Pilot Light  
Energy Efficiency class: D  
3 speeds + 1 intensive  
Exhaust capacities:  
Free Outlet, m<sup>3</sup>/h: 850  
Qboost, m<sup>3</sup>/h: 650  
Max., m<sup>3</sup>/h: 400  
Min., m<sup>3</sup>/h: 295  
Noise (LwA) Boost Speed, dB: 68  
Noise (LwA) Max Speed, dB: 67  
Noise (LwA) Min Speed, dB: 48  
3 LED lamps  
2 Stainless Steel filters  
Easy to clean inside panel  
Stop delay timer

**COLOR**  
Stainless Steel / Aluminum

#### EXTERNAL DIMENSIONS

➔ 900 mm



NEW

### INTEGRA 965

— **\_MAESTRO**



**ECOPOWER**

#### Built in/free installation decorative hood

EcoPower motor  
Energy Efficiency class: A  
Rotary knob (pop in- pop out)  
3 speeds  
Exhaust capacities:  
Free Outlet, m<sup>3</sup>/h: 630  
Max., m<sup>3</sup>/h: 620  
Min., m<sup>3</sup>/h: 224  
Noise (LwA) Max Speed, dB: 70  
Noise (LwA) Min Speed, dB: 48  
2 LED lamps  
2 aluminium filters

**COLOR**  
Stainless Steel

#### EXTERNAL DIMENSIONS

➔ 894 mm



### NR1 89

— **\_EASY**



#### Built in decorative hood

2 motors  
Slider control panel  
Operating Pilot Light  
Energy Efficiency class: F  
3 speeds  
Exhaust capacities:  
Free Outlet, m<sup>3</sup>/h: 530  
Max., m<sup>3</sup>/h: 342  
Min., m<sup>3</sup>/h: 259  
Noise (LwA) Max Speed, dB: 70  
Noise (LwA) Min Speed, dB: 68  
2 Incandescent lamps  
2 aluminium filters  
1 metal filter

### NR1 89

Energy Efficiency class: E  
1 motor  
Exhaust capacities:  
Free Outlet, m<sup>3</sup>/h: 508  
Max., m<sup>3</sup>/h: 223  
Min., m<sup>3</sup>/h: 152  
Noise (LwA) Max Speed, dB: 65  
Noise (LwA) Min Speed, dB: 63

**COLOR**  
White

#### EXTERNAL DIMENSIONS

➔ 600 mm



### GFG 2 SS/W/B

— **\_TOTAL**



#### Filter group

Push buttons control panel  
Energy Efficiency class: E  
3 speeds  
Exhaust capacities:  
Free Outlet, m<sup>3</sup>/h: 444  
Max., m<sup>3</sup>/h: 329  
Min., m<sup>3</sup>/h: 223  
Noise (LwA) Max Speed, dB: 63  
Noise (LwA) Min Speed, dB: 53  
1 LED bar  
1 stainless Steel filters (SS)  
1 aluminium filter (B/W)

**COLOR**  
Stainless steel / White / Black glass

#### EXTERNAL DIMENSIONS

➔ 550 mm



### GFH 73/55

— **\_TOTAL**



#### Filter group

Push buttons control panel  
Operating pilot light  
Energy Efficiency class: E  
3 speeds  
Exhaust capacities:  
Free Outlet, m<sup>3</sup>/h: 367  
Max., m<sup>3</sup>/h: 329  
Min., m<sup>3</sup>/h: 223  
Noise (LwA) Max Speed, dB: 69  
Noise (LwA) Min Speed, dB: 62  
2 Integrated halogen lamps  
2 aluminium filters

**COLOR**  
Stainless steel

#### EXTERNAL DIMENSIONS

➔ 730 / 550 mm



### GFT 800

— **\_TOTAL**



#### Filter group

Slider control panel  
Operating pilot light  
Energy Efficiency class: D  
3 speeds  
Exhaust capacities:  
Free Outlet, m<sup>3</sup>/h: 830  
Max., m<sup>3</sup>/h: 653  
Min., m<sup>3</sup>/h: 280  
Noise (LwA) Max Speed, dB: 66  
Noise (LwA) Min Speed, dB: 48  
2 Incandescent lamps  
1 aluminium filter

### GFT

Energy Efficiency class: E  
Exhaust capacities:  
Free Outlet, m<sup>3</sup>/h: 434  
Max., m<sup>3</sup>/h: 303  
Min., m<sup>3</sup>/h: 205  
Noise (LwA) Max Speed, dB: 64  
Noise (LwA) Min Speed, dB: 50

**COLOR**  
Stainless steel

#### EXTERNAL DIMENSIONS

➔ 500 mm



NEW

### CNL 9815/6815 PLUS

— **\_MAESTRO**



- Pull-out hood**
- EcoPower motor
- Energy Efficiency class: A
- Electronic control panel
- 5+1 speeds
- Exhaust capacities:
- Free Outlet, m<sup>3</sup>/h: 734
- Qboost, m<sup>3</sup>/h: 730
- Max., m<sup>3</sup>/h: 555
- Min., m<sup>3</sup>/h: 295
- Noise (LwA) Boost Speed, dB: 70
- Noise (LwA) Max Speed, dB: 65
- Noise (LwA) Min Speed, dB: 53
- 1 LED bar
- 4 stainless Steel filters
- Automatic Lighting
- Exchangeable Front Panel
- Finger Print Proof Front Panel



NEW

### CNL 9610/6610

— **\_TOTAL**



- Pull-out hood**
- Electronic control panel
- Energy Efficiency class: C
- 2+1 speeds
- Exhaust capacities:
- Free Outlet, m<sup>3</sup>/h: 745
- Qboost, m<sup>3</sup>/h: 694
- Max., m<sup>3</sup>/h: 445
- Min., m<sup>3</sup>/h: 330
- Noise (LwA) Boost Speed, dB: 70
- Noise (LwA) Max Speed, dB: 63
- Noise (LwA) Min Speed, dB: 60
- 3 LED lamps
- 4 aluminium filters
- Automatic Lighting
- Exchangeable Front Panel
- Finger Print Proof Front Panel



NEW

### CNL 6415 PLUS

— **\_TOTAL**



- Pull-out hood**
- EcoPower motor
- Energy Efficiency class: A
- Electronic control panel
- 5+1 speeds
- Exhaust capacities:
- Free Outlet, m<sup>3</sup>/h: 393
- Qboost, m<sup>3</sup>/h: 385
- Max., m<sup>3</sup>/h: 293
- Min., m<sup>3</sup>/h: 141
- Noise (LwA) Boost Speed, dB: 69
- Noise (LwA) Max Speed, dB: 64
- Noise (LwA) Min Speed, dB: 52
- 1 LED bar
- 2 stainless Steel filters
- Automatic Lighting
- Exchangeable Front Panel
- Finger Print Proof Front Panel (SS)

### CNL 6415

- 2+1 speeds
- Noise (LwA) Boost Speed, dB: 69
- Noise (LwA) Max Speed, dB: 64
- Noise (LwA) Min Speed, dB: 57
- 2 LED lamps



NEW

### CNL 6400

— **\_TOTAL**



- Pull-out hood**
- Electronic control panel
- Energy Efficiency class: E
- 2+1 speeds
- Exhaust capacities:
- Free Outlet, m<sup>3</sup>/h: 432
- Qboost, m<sup>3</sup>/h: 385
- Max., m<sup>3</sup>/h: 224
- Min., m<sup>3</sup>/h: 161
- Noise (LwA) Boost Speed, dB: 70
- Noise (LwA) Max Speed, dB: 61
- Noise (LwA) Min Speed, dB: 56
- 2 LED lamps
- 2 stainless Steel filters
- Reinforced Black Glass upper structure
- Automatic Lighting
- Exchangeable Front Panel
- Finger Print Proof Front Panel (SS)



NEW

### TL 7420 TL 6420

— **\_EASY**



- Pull-out hood**
- Mechanical control panel
- Energy Efficiency class: E
- 3 speeds
- Exhaust capacities:
- Free Outlet, m<sup>3</sup>/h: 390
- Max., m<sup>3</sup>/h: 354
- Min., m<sup>3</sup>/h: 177
- Noise (LwA) Max Speed, dB: 69
- Noise (LwA) Min Speed, dB: 55
- 2 halogen lamps
- 2 aluminium filters
- Automatic Lighting
- Exchangeable Front Panel



NEW

### TL 9310 TL 6310

— **\_EASY**



- Pull-out hood**
- Mechanical control panel
- Energy Efficiency class: E
- 2 speeds
- Exhaust capacities:
- Free Outlet, m<sup>3</sup>/h: 366
- Max., m<sup>3</sup>/h: 332
- Min., m<sup>3</sup>/h: 233
- Noise (LwA) Max Speed, dB: 65
- Noise (LwA) Min Speed, dB: 56
- 2 halogen lamps
- 4 / 2 aluminium filters
- Automatic Lighting
- Exchangeable Front Panel

**COLOR**  
Finger Print Proof Stainless Steel

**EXTERNAL DIMENSIONS**  
➔ 900 / 600 mm

**COLOR**  
Finger Print Proof Stainless Steel

**EXTERNAL DIMENSIONS**  
➔ 900 / 600 mm

**COLOR**  
Finger Print Proof Stainless Steel  
White / Black / Glass (CNL 6415 PLUS)

**EXTERNAL DIMENSIONS**  
➔ 900 / 600 mm

**COLOR**  
Finger Print Proof Stainless Steel  
White / Black

**EXTERNAL DIMENSIONS**  
➔ 600 mm

**COLOR**  
Stainless Steel / White (60)

**EXTERNAL DIMENSIONS**  
➔ 700 / 600 mm

**COLOR**  
Stainless Steel / White (60)

**EXTERNAL DIMENSIONS**  
➔ 900 / 600 mm



**TL 1 52**

**\_EASY**



**Pull-out hood**

Mechanical control panel  
Energy Efficiency class: E  
2 speeds  
Exhaust capacities:  
Free Outlet, m<sup>3</sup>/h: 366  
Max., m<sup>3</sup>/h: 332  
Min., m<sup>3</sup>/h: 233  
Noise (LwA) Max Speed, dB: 65  
Noise (LwA) Min Speed, dB: 56  
2 halogen lamps  
2 aluminium filters  
Automatic Lighting  
Exchangeable Front Panel



**C 9420**  
**C 6420**

**\_EASY**



**Classic hood**

Push buttons control panel (SS models)  
Operating pilot light  
Energy Efficiency class: E  
3 speeds  
Exhaust capacities:  
Free Outlet, m<sup>3</sup>/h: 422  
Max., m<sup>3</sup>/h: 375  
Min., m<sup>3</sup>/h: 141  
Noise (LwA) Max Speed, dB: 72  
Noise (LwA) Min Speed, dB: 60  
2 halogen lamps  
3 aluminium filters  
Finger Print Proof Front Panel (SS)

**C 6420**

Push buttons control panel (SS models)  
Slider control panel (white & black models)  
Noise (LwA) Max Speed, dB: 73  
2 aluminium filters

**COLOR**  
Finger Print Proof Stainless Steel  
White / Black (60)

**EXTERNAL DIMENSIONS**  
➔ 900 / 600 mm



**C 9310**  
**C 6310**

**\_EASY**



**Classic hood**

Push buttons control panel (SS models)  
Operating pilot light  
Energy Efficiency class: E  
3 speeds  
Exhaust capacities:  
Free Outlet, m<sup>3</sup>/h: 254  
Max., m<sup>3</sup>/h: 235  
Min., m<sup>3</sup>/h: 124  
Noise (LwA) Max Speed, dB: 62  
Noise (LwA) Min Speed, dB: 45  
2 halogen lamps  
3 aluminium filters  
Finger Print Proof Front Panel (SS)

**C 6310**

Push buttons control panel (SS models)  
Slider control panel (white & black models)  
Noise (LwA) Max Speed, dB: 66  
Noise (LwA) Min Speed, dB: 49  
2 aluminium filters

**COLOR**  
Finger Print Proof Stainless Steel  
White / Black (60)

**EXTERNAL DIMENSIONS**  
➔ 900 / 600 mm



**CL 600**  
**CL 500**

**\_EASY**



**Classic hood**

Slider control panel  
Energy Efficiency class: E  
3 speeds  
Exhaust capacities:  
Free Outlet, m<sup>3</sup>/h: 205  
Max., m<sup>3</sup>/h: 200  
Min., m<sup>3</sup>/h: 147  
Noise (LwA) Max Speed, dB: 61  
Noise (LwA) Min Speed, dB: 52  
2 halogen lamps  
2 aluminium filters

**CL 500 S**

**\_EASY**  
Energy Efficiency class: D  
1 halogen lamp  
1 aluminium filter

**CL 500 W**

**\_EASY**  
Energy Efficiency class: E  
2 halogen lamps  
1 aluminium filter

**COLOR**  
Finger Print Proof Stainless Steel / White

**EXTERNAL DIMENSIONS**  
➔ 600 / 500 mm



**CBE 60.1 S/W**

**\_EASY**



**Classic hood**

Slider control panel  
3 speeds  
Exhaust capacities:  
Free Outlet, m<sup>3</sup>/h: 130  
Max., m<sup>3</sup>/h: 125  
Min., m<sup>3</sup>/h: 65  
Noise (LwA) Max Speed, dB: 62  
Noise (LwA) Min Speed, dB: 48  
2 halogen lamps  
1 metal filter with metal grid layer

**COLOR**  
Silver / White

**EXTERNAL DIMENSIONS**  
➔ 600 mm



**CL 610 S/W**

**\_EASY**



**Classic hood**

Slider control panel  
Energy Efficiency class: D  
3 speeds  
Exhaust capacities:  
Free Outlet, m<sup>3</sup>/h: 200  
Max., m<sup>3</sup>/h: 200  
Min., m<sup>3</sup>/h: 147  
Noise (LwA) Max Speed, dB: 61  
Noise (LwA) Min Speed, dB: 52  
1 halogen lamp  
2 aluminium filters

**COLOR**  
Silver / White

**EXTERNAL DIMENSIONS**  
➔ 600 mm

**COLOR**  
Stainless Steel

**EXTERNAL DIMENSIONS**  
➔ 500 mm

PRODUCT FICHE ACCORDING TO COMMISSION DELEGATED REGULATION (EU) NO 65/2014

MODEL	DHT 1285 INOX	CC 480 INOX	CC 485 INOX	DG3 985 ISLAND DH2 1285 ISLAND DH2 985 ISLAND
Annual Energy Consumption (AEChood) kWh/a	46,7	133,3	44,7	47,8
Energy Efficiency class	A	D	A	A
Fluid Dynamic Efficiency (FDEhood)	32,1	12,6	32,2	32,3
Fluid Dynamic Efficiency class	A	E	A	A
Light Efficiency (Lehood) lux/Watt	58,3	87,3	87,3	58,3
Lighting Efficiency class	A	A	A	A
Grease Filtering Efficiency (GFEhood) %	86,8	77,8	77,8	83,4
Grease Filtering Efficiency class	B	C	C	C
Air flow (Qmin) m3/h	315	295	305	311
Air flow (Qmax) m3/h	631	400	525	605
Air flow (Qboost) m3/h	807	650	771	796
Noise (LwA) Min Speed, dB	47	48	50	52
Noise (LwA) Max Speed, dB	60	56	72	66
Noise (LwA) Boost Speed, dB	66	66	78	71
Off mode Power (Po), W	0,0	0,0	0,0	0,0
Standby Power (Ps), W	0,98	0,74	0,74	0,56
Energy Efficiency Index (EEIhood)	49,9	90,0	47,3	50,1
Time increase actor (f)	0,8	1,5	0,8	0,8
Air flow at best efficiency point (Qbep) m3/h	329,8	373	345	341
Air pressure at best efficiency point (Pbep) Pa	456,0	287	465	456
Electric power input at best efficiency point (Wbep) W	130,1	235,5	138,2	133,7
Nominal power of the lighting sy (WL) W	12,0	6,0	6,0	12,0
Average illumination of the lighting system on the cooking surface (Emiddle) Lux	700	524	524	700

FEATURES

Type	Ceiling	Island	Island	Island
Width (mm)	1200	400	400	1200/900
Color(s)	Inox	Inox	Inox	Inox
Aspiration Type	Rim extraction	Conventional	Conventional	Conventional
Control Panel	Remote control	Touch control with white display	Touch control with white display	Backlit electronic control with white display
Remote Control	•	-	-	-
Stop delay timer	•	•	•	•
Filter saturation indicator	•	•	•	•
Operating Pilot Light	•	-	-	-
Moisture sensor	-	-	-	-
Number of speeds	6 + 4	3 + 1	3 + 1	3 + 1
Exhaust Capacity - Free Outlet (m³/h)	920	850	920	920
Lamps Type	LED	LED	LED	LED
Number & Lamp Power, W	4x 3W	2 X 3W	2 X 3W	4 x 3W
Number of filters	4	1	1	2 / 4 / 3
Filter description	Aluminum	Stainless Steel	Stainless Steel	Stainless Steel
Easy-clean inside panel	-	-	-	DH2 1285 ISLAND DH2 985 ISLAND
Automatic Lighting	-	-	-	-
Exchangeable front panel	-	-	-	-
Fingerprint proof front panel	-	-	-	-

ACCESSORIES

Anti return valve	-	•	•	•
Outlet Reduction 150/120 mm	•	•	•	•
Outlet Extension 120/120 mm	-	-	-	-
Charcoal Filter, optional	-	D4C	D4C + adaptador	D4C + adaptador
Recirculation Kit, optional	-	SET 1/I	SET 1/I + adaptador	SET 1/T + adaptador

TECHNICAL SPECIFICICATIONS

Number & motor type	1 DT	1 DT	1 DT	1 DT
Motor Power, W	280	230	280	280
Ø Outlet, mm	150	150	150	150
Voltage, V	220-240	220-240	220-240	220-240
Frequency, Hz	50/60	50/60	50/60	50/60
Total Hood Power, W	292	236	286	292

PRODUCT FICHE ACCORDING TO COMMISSION DELEGATED REGULATION (EU) NO 65/2014

MODEL	DG3 980 ISLAND DH2 980 ISLAND	DPL 1180 ISLAND	DPL 1185 ISLAND	DSB 985 ISLAND
Annual Energy Consumption (AEChood) kWh/a	140,2	137,7	49,3	47,8
Energy Efficiency class	D	D	A	A
Fluid Dynamic Efficiency (FDEhood)	12,7	12,6	32,1	32,3
Fluid Dynamic Efficiency class	E	E	A	A
Light Efficiency (Lehood) lux/Watt	58,3	58,3	58,3	58,3
Lighting Efficiency class	A	A	A	A
Grease Filtering Efficiency (GFEhood) %	83,7	75,9	75,9	83,4
Grease Filtering Efficiency class	C	C	C	C
Air flow (Qmin) m3/h	295	295	331	311
Air flow (Qmax) m3/h	400	400	629	605
Air flow (Qboost) m3/h	650	650	782	796
Noise (LwA) Min Speed, dB	48	45	54	52
Noise (LwA) Max Speed, dB	56	55	66	66
Noise (LwA) Boost Speed, dB	66	65	69	71
Off mode Power (Po), W	0,0	0,0	0,0	0,0
Standby Power (Ps), W	0,56	0,74	0,74	0,56
Energy Efficiency Index (EEIhood)	91,1	91	50,1	50,1
Time increase actor (f)	1,5	1,5	0,8	0,8
Air flow at best efficiency point (Qbep) m3/h	427	373	346	341
Air pressure at best efficiency point (Pbep) Pa	257	287	464	456
Electric power input at best efficiency point (Wbep) W	240	235,5	139	133,7
Nominal power of the lighting sy (WL) W	12	12	12	12
Average illumination of the lighting system on the cooking surface (Emiddle) Lux	700	700	700	700

FEATURES

Type	Island	Island	Island	Island
Width (mm)	900	1100	1100	900
Color(s)	Inox	Inox & black	Inox & black	Inox
Aspiration Type	Conventional	Rim extraction	Rim extraction	Conventional
Control Panel	Backlit electronic control with white display	Touch control with white display	Touch control with white display	Backlit electronic control with white display
Remote Control	-	-	-	-
Stop delay timer	•	•	•	•
Filter saturation indicator	•	•	•	•
Operating Pilot Light	-	-	-	-
Moisture sensor	-	-	-	-
Number of speeds	3 + 1	3 + 1	3 + 1	3 + 1
Exhaust Capacity - Free Outlet (m³/h)	850	850	920	920
Lamps Type	LED	LED	LED	LED
Number & Lamp Power, W	4 x 3W	4 X 3W	4 X 3W	4 x 3W
Number of filters	2 / 3	3	3	3
Filter description	Stainless Steel	inox panel aluminum filters below	inox panel aluminum filters below	Aluminum
Easy-clean inside panel	DH2 980 ISLAND	-	-	•
Automatic Lighting	-	-	-	-
Exchangeable front panel	-	-	-	-
Fingerprint proof front panel	-	-	-	-

ACCESSORIES

Anti return valve	•	•	•	•
Outlet Reduction 150/120 mm	•	•	•	•
Outlet Extension 120/120 mm	-	-	-	-
Charcoal Filter, optional	D4C	D4C	D4C + adaptador	D4C + adaptador
Recirculation Kit, optional	SET 1/T	SET 1/T	SET 1/T + adaptador	SET 1/T + adaptador

TECHNICAL SPECIFICICATIONS

Number & motor type	1 DT	1 DT	1 DT	1 DT
Motor Power, W	230	230	280	280
Ø Outlet, mm	150	150	150	150
Voltage, V	220-240	220-240	220-240	220-240
Frequency, Hz	50/60	50/60	50/60	50/60
Total Hood Power, W	242	242	292	292

MODEL	DU 985 CRISTAL	DVC560 B DVC560 W	DVT 950/650 B DVT 950/650 W	DVT 980/780/680 B DVT 980/780/680 W
Annual Energy Consumption (AEChood) kWh/a	46,2	87,0	62,0	128,0
Energy Efficiency class	A	D	D	D
Fluid Dynamic Efficiency (FDEhood)	32,3	13,3	5,9	13,7
Fluid Dynamic Efficiency class	A	D	F	D
Light Efficiency (Lehood) lux/Watt	73,3	33	69,8	69,8
Lighting Efficiency class	A	A	A	A
Grease Filtering Efficiency (GFEhood) %	87,9	72,9	70,8	75,9
Grease Filtering Efficiency class	B	D	D	C
Air flow (Qmin) m3/h	315	431	234	259
Air flow (Qmax) m3/h	631	518	380	423
Air flow (Qboost) m3/h	807	0	0	730
Noise (LwA) Min Speed, dB	56	50	49	50
Noise (LwA) Max Speed, dB	68	59	64,0	58,0
Noise (LwA) Boost Speed, dB	72	0,0	0,0	69,0
Off mode Power (Po), W	0,0	0,0	0,0	0,0
Standby Power (Ps), W	0,74	0,36	0,74	0,74
Energy Efficiency Index (EEIhood)	49,9	86,2	92,8	89,6
Time increase actor (f)	0,8	1,5	1,8	1,5
Air flow at best efficiency point (Qbep) m3/h	335,2	280,8	168	402
Air pressure at best efficiency point (Pbep) Pa	445	258	110	278
Electric power input at best efficiency point (Wbep) W	128,3	150,8	87,7	225,8
Nominal power of the lighting sy (WL) W	12	4	6	6
Average illumination of the lighting system on the cooking surface (Emiddle) Lux	879	131	419	419

FEATURES

Type	Vertical	Vertical	Vertical	Vertical
Width (mm)	900	600	900/600	900/700/600
Color(s)	Black	Black/white	Black/white	Black/white
Aspiration Type	Conventional	Conventional	Rim extraction	Rim extraction
Control Panel	Touch control with white display	Touch control with white display	Touch control with white display	Touch control with white display
Remote Control	-	-	-	-
Stop delay timer	•	•	•	•
Filter saturation indicator	•	-	•	•
Operating Pilot Light	-	-	-	-
Moisture sensor	-	-	-	-
Number of speeds	3 + 1	3	3	3 + 1
Exhaust Capacity - Free Outlet (m³/h)	920	553	475	825
Lamps Type	LED	LED	LED	LED
Number & Lamp Power, W	4 x 3W	2X2W	2 X 3W	2 X 3W
Number of filters	1	1	1	1
Filter description	Stainless Steel	Glass panel aluminum filter below	Glass panel aluminum filter below	Glass panel aluminum filter below
Easy-clean inside panel	•	-	-	-
Automatic Lighting	-	-	-	-
Exchangeable front panel	-	-	-	-
Fingerprint proof front panel	-	-	-	-

ACCESSORIES

Anti return valve	•	•	•	•
Outlet Reduction 150/120 mm	•	•	•	•
Outlet Extension 120/120 mm	-	-	-	-
Charcoal Filter, optional	D4C + adaptador	D6C	D4C	D4C
Recirculation Kit, optional	1/K without chimney; 1/M with chimney, + adaptador	-	SET 1/M	SET 1/M

TECHNICAL SPECIFICICATIONS

Number & motor type	1 DT	1 DT	1 DT	1 DT
Motor Power, W	280	200	105	230
Ø Outlet, mm	150	150	150	150
Voltage, V	220-240	220-240	220-240	220-240
Frequency, Hz	50/60	50	50/60	50/60
Total Hood Power, W	292	204	108	236

MODEL	DVT 985/785/685 B DVT 985/785/685 W	QUADRO DLV 998	QUADRO DLV 985	DVU590/560 B DVU590/560 W
Annual Energy Consumption (AEChood) kWh/a	51,1	27,0	51,8	89,00/ 88,00
Energy Efficiency class	A	A++	A	D
Fluid Dynamic Efficiency (FDEhood)	32,3	38,2	34,5	15,30 / 14,30
Fluid Dynamic Efficiency class	A	A	A	D
Light Efficiency (Lehood) lux/Watt	69,8	55,7	55,7	33,0
Lighting Efficiency class	A	A	A	A
Grease Filtering Efficiency (GFEhood) %	75,9	75,9	75,9	72,9
Grease Filtering Efficiency class	C	C	C	D
Air flow (Qmin) m3/h	303	264	325	443
Air flow (Qmax) m3/h	599	626	614	538
Air flow (Qboost) m3/h	786	815	782	0
Noise (LwA) Min Speed, dB	52	37	54	50
Noise (LwA) Max Speed, dB	66	58	65	59
Noise (LwA) Boost Speed, dB	71	65	72	0,0
Off mode Power (Po), W	0,0	0,76	0,32	0,0
Standby Power (Ps), W	0,74	0	0	0,36
Energy Efficiency Index (EEIhood)	47,9	36,4	48,3	86,2
Time increase actor (f)	0,8	0,6	0,8	1,5
Air flow at best efficiency point (Qbep) m3/h	404,9	339	440	280,8
Air pressure at best efficiency point (Pbep) Pa	460	406	452	258
Electric power input at best efficiency point (Wbep) W	160,1	100,0	160,0	150,8
Nominal power of the lighting sy (WL) W	6	7	7	4
Average illumination of the lighting system on the cooking surface (Emiddle) Lux	419	390	390	131

FEATURES

Type	Vertical	Vertical	Vertical	Vertical
Width (mm)	900/700/600	900	900	900/600
Color(s)	Black/white	Black	Black	Black/white
Aspiration Type	Rim extraction	Rim extraction	Rim extraction	Conventional
Control Panel	Touch control with white display	Touch control with white display	Touch control with white display	Touch control with white display and auto opening
Remote Control	-	-	-	•
Stop delay timer	•	•	•	•
Filter saturation indicator	•	•	•	-
Operating Pilot Light	-	-	-	-
Moisture sensor	-	-	-	-
Number of speeds	3 + 1	3 + 1	3 + 1	3
Exhaust Capacity - Free Outlet (m³/h)	895	890	814	553
Lamps Type	LED	LED bar	LED bar	LED
Number & Lamp Power, W	2 X 3W	1 x 7W	1 x 7W	2X2W
Number of filters	1	2	2	1
Filter description	Glass panel aluminum filter below	Glass panel aluminum filter below	Glass panel aluminum filter below	Glass panel aluminum filter below
Easy-clean inside panel	-	-	-	-
Automatic Lighting	-	-	-	-
Exchangeable front panel	-	-	-	-
Fingerprint proof front panel	-	-	-	-

ACCESSORIES

Anti return valve	•	•	•	•
Outlet Reduction 150/120 mm	•	•	•	•
Outlet Extension 120/120 mm	-	-	-	-
Charcoal Filter, optional	D4C + adaptador	-	D4C + adaptador	D6C
Recirculation Kit, optional	SET 1/M + adaptador	-	SET 1/N + adaptador	-

TECHNICAL SPECIFICICATIONS

Number & motor type	1 DT	Brushless motor	1 DT	1 DT
Motor Power, W	280	165	280	200
Ø Outlet, mm	150	150	150	150
Voltage, V	220-240	230	230	220-240
Frequency, Hz	50/60	50	50	50
Total Hood Power, W	286	172	287	204



MODEL	DGE 60 DGE 90/60 FUME	DG 950/750/650	DG3 90/60	DG 980/780/680
Annual Energy Consumption (AEChood) kWh/a	87,2	87,2	158,1	135,8
Energy Efficiency class	E	E	D	D
Fluid Dynamic Efficiency (FDEhood)	6,1	6,1	12,6	12,7
Fluid Dynamic Efficiency class	F	F	E	E
Light Efficiency (Lehood) lux/Watt	6,0	5,6	6,0	65,2 / 77,2 / 73,8
Lighting Efficiency class	F	F	F	A
Grease Filtering Efficiency (GFEhood) %	73,4	73,4	83,7	83,7
Grease Filtering Efficiency class	D	D	C	C
Air flow (Qmin) m3/h	234,0	234	295	298
Air flow (Qmax) m3/h	380,0	380	400	402
Air flow (Qboost) m3/h	0,0	0,0	650	637
Noise (LwA) Min Speed, dB	43	49	48	52
Noise (LwA) Max Speed, dB	57	64	56	60
Noise (LwA) Boost Speed, dB	0,0	0,0	66	70
Off mode Power (Po), W	0,0	0,0	0,0	0,0
Standby Power (Ps), W	0,0	0,0	1,1	0,56
Energy Efficiency Index (EEIhood)	101,5	101,5	94,8	90,2
Time increase actor (f)	1,8	1,8	1,5	1,5
Air flow at best efficiency point (Qbep) m3/h	196,0	196,0	373,0	427,0
Air pressure at best efficiency point (Pbep) Pa	99,0	99,0	287,0	257,0
Electric power input at best efficiency point (Wbep) W	88,3	88,3	235,5	240,0
Nominal power of the lighting sy (WL) W	40,0	40,0	40,0	6,0
Average illumination of the lighting system on the cooking surface (Emiddle) Lux	255,0	222,0	255,0	391/463/443

FEATURES

Type	Glass Wing	Glass Wing	Glass Wing	Glass Wing
Width (mm)	90 (FUME) / 60	900/700/600	900/600	900/700/600
Color(s)	Inox & Glass wing	Inox & Glass wing	Inox & Glass wing	Inox & Glass wing
Aspiration Type	Conventional	Conventional	Conventional	Conventional
Control Panel	Push Buttons	Push Buttons	Backlit electronic control with red display	Backlit electronic control with white display
Remote Control	-	-	-	-
Stop delay timer	-	-	•	•
Filter saturation indicator	-	-	-	•
Operating Pilot Light	•	•	-	-
Moisture sensor	-	-	-	-
Number of speeds	3	3	3 + 1	3 + 1
Exhaust Capacity - Free Outlet (m³/h)	475	475	850	825
Lamps Type	Halogen	Halogen	Halogen	LED
Number & Lamp Power, W	2 x 20W	2 x 20W	2 x 20W	2 X 3W
Number of filters	1	1	1	1
Filter description	Aluminium	Aluminium	Stainless steel	Stainless Steel
Easy-clean inside panel	-	-	-	-
Automatic Lighting	-	-	-	-
Exchangeable front panel	-	-	-	-
Fingerprint proof front panel	-	-	-	-

ACCESSORIES

Anti return valve	•	•	•	•
Outlet Reduction 150/120 mm	•	•	•	•
Outlet Extension 120/120 mm	-	-	-	-
Charcoal Filter, optional	D4C	D4C	D4C	D4C
Recirculation Kit, optional	SET 1/N	SET 1/N	SET 1/N	SET 1/N

TECHNICAL SPECIFICICATIONS

Number & motor type	1 DT	1 DT	1 DT	1 DT
Motor Power, W	115	105	230	230
Ø Outlet, mm	150	150	150	150
Voltage, V	220 - 240	220-240	220 - 240	220-240
Frequency, Hz	50/60	50/60	50/60	50/60
Total Hood Power, W	155	145	270	236

MODEL	DG 985/785/685	NCE 90/60 NCE 60 FUME	NC 950/750/650	NC2 90/70/60 NC2 90/60 BLACK NC2 90 FUME
Annual Energy Consumption (AEChood) kWh/a	56,7	87,2	87,2	158,1
Energy Efficiency class	A	E	E	D
Fluid Dynamic Efficiency (FDEhood)	30,5	6,1	6,1	12,6
Fluid Dynamic Efficiency class	A	F	F	E
Light Efficiency (Lehood) lux/Watt	65,2 / 77,2 / 73,8	6,0	5,6	6,0
Lighting Efficiency class	A	F	F	F
Grease Filtering Efficiency (GFEhood) %	83,7	73,4	73,4	83,7
Grease Filtering Efficiency class	C	D	D	C
Air flow (Qmin) m3/h	315	234	234	295
Air flow (Qmax) m3/h	631	380	380	400
Air flow (Qboost) m3/h	807	0	0	650
Noise (LwA) Min Speed, dB	56	43	49	48
Noise (LwA) Max Speed, dB	68	57	64	56
Noise (LwA) Boost Speed, dB	72	0	0	66
Off mode Power (Po), W	0,0	0,0	0,0	0,0
Standby Power (Ps), W	0,56	0,0	0,0	1,1
Energy Efficiency Index (EEIhood)	53,3	101,5	101,5	94,8
Time increase actor (f)	0,9	1,8	1,8	1,5
Air flow at best efficiency point (Qbep) m3/h	403,9	196,0	196,0	373,0
Air pressure at best efficiency point (Pbep) Pa	434,0	99,0	99,0	287,0
Electric power input at best efficiency point (Wbep) W	159,4	88,3	88,3	235,5
Nominal power of the lighting sy (WL) W	6,0	40,0	40,0	40,0
Average illumination of the lighting system on the cooking surface (Emiddle) Lux	391/463/443	255,0	222,0	255,0

FEATURES

Type	Glass Wing	Glass Wing	Glass Wing	Glass Wing
Width (mm)	900/700/600	900/600	900/700/600	900/700/600
Color(s)	Inox & Glass wing	Inox & Glass wing	Inox & Glass wing	Inox & Glass wing
Aspiration Type	Conventional	Conventional	Conventional	Conventional
Control Panel	Backlit electronic control with white display	Push Buttons	Push Buttons	Backlit electronic control with red display
Remote Control	-	-	-	-
Stop delay timer	•	-	-	•
Filter saturation indicator	•	-	-	-
Operating Pilot Light	-	•	•	-
Moisture sensor	-	-	-	-
Number of speeds	3 + 1	3	3	3 + 1
Exhaust Capacity - Free Outlet (m³/h)	895	475	475	850
Lamps Type	LED	Halogen	Halogen	Halogen
Number & Lamp Power, W	2 X 3W	2 x 20W	2 x 20W	2 x 20W
Number of filters	1	1	1	1
Filter description	Stainless Steel	Aluminium	Aluminium	Stainless steel
Easy-clean inside panel	-	-	-	-
Automatic Lighting	-	-	-	-
Exchangeable front panel	-	-	-	-
Fingerprint proof front panel	-	-	-	-

ACCESSORIES

Anti return valve	•	•	•	•
Outlet Reduction 150/120 mm	•	•	•	•
Outlet Extension 120/120 mm	-	-	-	-
Charcoal Filter, optional	D4C + adaptador	D4C	D4C	D4C
Recirculation Kit, optional	SET 1/N + adaptador	SET 1/N	SET 1/N	SET 1/N

TECHNICAL SPECIFICICATIONS

Number & motor type	1 DT	1 DT	1 DT	1 DT
Motor Power, W	280	115	105	230
Ø Outlet, mm	150	150	150	150
Voltage, V	220-240	220-240	220-240	220 - 240
Frequency, Hz	50/60	50/60	50/60	50/60
Total Hood Power, W	286	155	145	270

MODEL	NC 980/780/680	NC 985/785/685	DF 90	DQ2 985
Annual Energy Consumption (AEChood) kWh/a	135,8	56,7	158,1	44,0
Energy Efficiency class	D	A	D	A
Fluid Dynamic Efficiency (FDEhood)	12,7	30,5	12,6	32,3
Fluid Dynamic Efficiency class	E	A	E	A
Light Efficiency (Lehood) lux/Watt	65,2 / 77,2 / 73,8	65,2 / 77,2 / 73,8	6,4	64,4
Lighting Efficiency class	A	A	F	A
Grease Filtering Efficiency (GFEhood) %	83,7	83,7	91,2	86,5
Grease Filtering Efficiency class	C	C	B	B
Air flow (Qmin) m3/h	298	315	295	315
Air flow (Qmax) m3/h	402	631	400	631
Air flow (Qboost) m3/h	637	807	650	807
Noise (LwA) Min Speed, dB	52	56	48	56
Noise (LwA) Max Speed, dB	60	68	56	68
Noise (LwA) Boost Speed, dB	70	72	66	72
Off mode Power (Po), W	0,0	0,0	0,0	0,0
Standby Power (Ps), W	0,56	0,56	0,99	0,56
Energy Efficiency Index (EEIhood)	90,2	53,3	94,8	48,5
Time increase actor (f)	1,5	0,9	1,5	0,8
Air flow at best efficiency point (Qbep) m3/h	427,0	403,9	373,0	335,2
Air pressure at best efficiency point (Pbep) Pa	257,0	434,0	287,0	445,0
Electric power input at best efficiency point (Wbep) W	240,0	159,4	235,5	128,3
Nominal power of the lighting sy (WL) W	6,0	6,0	40,0	9,0
Average illumination of the lighting system on the cooking surface (Emiddle) Lux	391/463/443	391/463/443	255,0	580,0

FEATURES

Type	Glass Wing	Glass Wing	Glass Wing	Glass Wing Corner
Width (mm)	900/700/600	900/700/600	900	900
Color(s)	Inox & Glass wing	Inox & Glass wing	Inox & Glass wing	Inox & Glass wing
Aspiration Type	Conventional	Conventional	Conventional	Conventional
Control Panel	Backlit electronic control with white display	Backlit electronic control with white display	Electronic control panel	Backlit electronic control with white display
Remote Control	-	-	-	-
Stop delay timer	•	•	•	•
Filter saturation indicator	•	•	•	•
Operating Pilot Light	-	-	•	-
Moisture sensor	-	-	•	-
Number of speeds	3 + 1	3 + 1	3 + 1	3 + 1
Exhaust Capacity - Free Outlet (m³/h)	825	895	850	920
Lamps Type	LED	LED	Halogen	LED
Number & Lamp Power, W	2 X 3W	2 X 3W	2 x 20W	3 x 3W
Number of filters	1	1	2	2
Filter description	Stainless Steel	Stainless Steel	Stainless Steel	Stainless Steel
Easy-clean inside panel	-	-	•	•
Automatic Lighting	-	-	-	-
Exchangeable front panel	-	-	-	-
Fingerprint proof front panel	-	-	-	-

ACCESSORIES

Anti return valve	•	•	•	•
Outlet Reduction 150/120 mm	•	•	•	•
Outlet Extension 120/120 mm	-	-	-	-
Charcoal Filter, optional	D4C	D4C + adaptor	D4C	D4C + adaptor
Recirculation Kit, optional	SET 1/N	SET 1/N + adaptor	SET 1/N	SET 1/L + adaptor

TECHNICAL SPECIFICICATIONS

Number & motor type	1 DT	1 DT	1 DT	1 DT
Motor Power, W	230	280	230	280
Ø Outlet, mm	150	150	150	150
Voltage, V	220-240	220-240	220-240	220-240
Frequency, Hz	50/60	50/60	50/60	50/60
Total Hood Power, W	236	286	270	289

MODEL	DJE 90/60	DJ 980 /680	DJ 950/750/650	DH2 90/70/60	DH 980/780/680
Annual Energy Consumption (AEChood) kWh/a	87,2	N/A	87,2	160,6	135,8
Energy Efficiency class	E	N/A	E	D	D
Fluid Dynamic Efficiency (FDEhood)	6,1	N/A	6,1	12,7	12,7
Fluid Dynamic Efficiency class	F	N/A	F	E	E
Light Efficiency (Lehood) lux/Watt	5 / 7	N/A	5,6	5 / 6 / 7	65,2 / 77,2 / 73,8
Lighting Efficiency class	F	N/A	F	F	A
Grease Filtering Efficiency (GFEhood) %	73,4	N/A	73,4	83,7	83,7
Grease Filtering Efficiency class	D	N/A	D	C	C
Air flow (Qmin) m3/h	234,0	N/A	234,0	295,0	298,0
Air flow (Qmax) m3/h	380,0	N/A	380,0	400,0	402,0
Air flow (Qboost) m3/h	0,0	N/A	0,0	650,0	637,0
Noise (LwA) Min Speed, dB	43	N/A	49,0	47,9	52,0
Noise (LwA) Max Speed, dB	57	N/A	64,0	55,8	60,0
Noise (LwA) Boost Speed, dB	0,0	N/A	0,0	66,2	70,0
Off mode Power (Po), W	0,0	N/A	0,0	0,0	0,0
Standby Power (Ps), W	0,0	N/A	0,0	1,1	0,56
Energy Efficiency Index (EEIhood)	101,5	N/A	101,5	94,9	90,2
Time increase actor (f)	1,8	N/A	1,8	1,5	1,5
Air flow at best efficiency point (Qbep) m3/h	196,0	N/A	196,0	427,0	427,0
Air pressure at best efficiency point (Pbep) Pa	99,0	N/A	99,0	257,0	257,0
Electric power input at best efficiency point (Wbep) W	88,3	N/A	88,3	240,0	240,0
Nominal power of the lighting sy (WL) W	40,0	N/A	40,0	40,0	6,0
Average illumination of the lighting system on the cooking surface (Emiddle) Lux	199/266	N/A	222,0	199/225/266	391/463/443

FEATURES

Type	Horizontal	Horizontal	Horizontal	Horizontal	Horizontal
Width (mm)	900/600	900/600	900/700/600	900/700/600	900/700/600
Color(s)	Inox	Inox	Inox	Inox	Inox
Aspiration Type	Conventional	Conventional	Conventional	Conventional	Conventional
Control Panel	Push Buttons	Push buttons	Push Buttons	Backlit electronic control with display	Backlit electronic control with display
Remote Control	-	-	-	-	-
Stop delay timer	-	-	-	•	•
Filter saturation indicator	-	-	-	-	-
Operating Pilot Light	•	•	•	•	•
Moisture sensor	-	-	-	-	-
Number of speeds	3	3	3	3 + 1	3 + 1
Exhaust Capacity - Free Outlet (m³/h)	475	850	475	850	850
Lamps Type	Halogen	Halogen	Halogen	Halogen	LED
Number & Lamp Power, W	2 x 20W	2x20W	2 x 20W	2 x 20W	2 X 3W
Number of filters	3 / 2	3/2	3 / 2 / 2	3 / 2 / 2	3 / 2 / 2
Filter description	Aluminium	Stainless Steel	Aluminum	Stainless steel	Stainless Steel
Easy-clean inside panel	-	-	-	•	-
Automatic Lighting	-	-	-	-	-
Exchangeable front panel	-	-	-	-	-
Fingerprint proof front panel	-	-	-	-	-

ACCESSORIES

Anti return valve	•	•	•	•	•
Outlet Reduction 150/120 mm	•	•	•	•	•
Outlet Extension 120/120 mm	-	-	-	-	-
Charcoal Filter, optional	D4C	D4C	D4C	D4C	D4C
Recirculation Kit, optional	SET 1/N	1/N	SET 1/N	SET 1/N	SET 1/N

TECHNICAL SPECIFICICATIONS

Number & motor type	1 DT	1DT	1 DT	1 DT	1 DT
Motor Power, W	115	230	105	230	230
Ø Outlet, mm	150	150	150	150	150
Voltage, V	220-240	220-240	220-240	220 - 240	220-240
Frequency, Hz	50-60	50/60	50/60	50/60	50/60
Total Hood Power, W	155	270	145	270	236

MODEL	DH 985/785/685	DH 1180/980/780/680 T	DH 1185/985/785/685 T	PERFECTA4 DLH 985 T
Annual Energy Consumption (AEChood) kWh/a	56,7	135,8	56,7	55,5
Energy Efficiency class	A	D	A	A
Fluid Dynamic Efficiency (FDEhood)	30,5	12,7	30,5	31,6
Fluid Dynamic Efficiency class	A	E	A	A
Light Efficiency (Lehood) lux/Watt	66,2 / 77,2 / 73,8	64,2 / 65,2 / 77,2 / 73,8	64,2 / 65,2 / 77,2 / 73,8	55,7
Lighting Efficiency class	A	A	A	A
Grease Filtering Efficiency (GFEhood) %	83,7	83,7	83,7	98,2
Grease Filtering Efficiency class	C	C	C	A
Air flow (Qmin) m3/h	315	298	315	306
Air flow (Qmax) m3/h	631	402	631	586
Air flow (Qboost) m3/h	807	637	807	740
Noise (LwA) Min Speed, dB	56	52	56	54
Noise (LwA) Max Speed, dB	68	60	68	68
Noise (LwA) Boost Speed, dB	72	70	72	72
Off mode Power (Po), W	0,0	0,0	0,0	0,32
Standby Power (Ps), W	0,56	0,65	0,65	0
Energy Efficiency Index (EEIhood)	53,3	90,2	53,3	53,6
Time increase actor (f)	0,9	1,5	0,9	0,9
Air flow at best efficiency point (Qbep) m3/h	403,9	427,0	403,9	391,7
Air pressure at best efficiency point (Pbep) Pa	434,0	257,0	434,0	445
Electric power input at best efficiency point (Wbep) W	159,4	240,0	159,4	153,3
Nominal power of the lighting sy (WL) W	6,0	6,0	6,0	7,0
Average illumination of the lighting system on the cooking surface (Emiddle) Lux	391/463/443	385 / 391 / 463 / 443	385 / 391 / 463 / 443	390,0

FEATURES

Type	Horizontal	Horizontal	Horizontal	Horizontal
Width (mm)	900/700/600	1100/900/700/600	1100/900/700/600	900
Color(s)	Inox	Inox & Black	Inox & Black	Inox & Black
Aspiration Type	Conventional	Conventional	Conventional	Conventional
Control Panel	Backlit electronic control with white display (DH3)	Touch control (glass front) with white display	Touch control (glass front) with white display	Touch control (glass front) with white display
Remote Control	-	-	-	-
Stop delay timer	•	•	•	•
Filter saturation indicator	•	•	•	•
Operating Pilot Light	-	-	-	-
Moisture sensor	-	-	-	•
Number of speeds	3 + 1	3 + 1	3 + 1	3 + 1
Exhaust Capacity - Free Outlet (m³/h)	920	850	920	795
Lamps Type	LED	LED	LED	LED bar
Number & Lamp Power, W	2 X 3W	2 X 3W	2 X 3W	1 x 7W
Number of filters	3 / 2 / 2	4 / 3 / 2 / 2	4 / 3 / 2 / 2	3
Filter description	Stainless Steel	Stainless Steel	Stainless Steel	Stainless Steel
Easy-clean inside panel	-	-	-	-
Automatic Lighting	-	-	-	-
Exchangeable front panel	-	-	-	-
Fingerprint proof front panel	-	-	-	-

ACCESSORIES

Anti return valve	•	•	•	•
Outlet Reduction 150/120 mm	•	•	•	•
Outlet Extension 120/120 mm	-	-	-	-
Charcoal Filter, optional	D4C + adaptador	D4C	D4C + adaptador	D4C + adaptador
Recirculation Kit, optional	SET 1/N + adaptador	SET 1/N	SET 1/N + adaptador	SET 1/N + adaptador

TECHNICAL SPECIFICICATIONS

Number & motor type	1 DT	1 DT	1 DT	1 DT
Motor Power, W	280	230	280	280
Ø Outlet, mm	150	150	150	150
Voltage, V	220-240	220-240	220-240	230
Frequency, Hz	50/60	50/60	50/60	50
Total Hood Power, W	286	236	286	287

MODEL	PERFECTA4 DLH 1185 T	DHC 90 SLIM	DPS 90/70 SLIM	DPL 980 T	DPL 985.1 T
Annual Energy Consumption (AEChood) kWh/a	55,5	137,7	87,2	137,7	49,3
Energy Efficiency class	A	D	E	D	A
Fluid Dynamic Efficiency (FDEhood)	31,6	12,6	6,1	12,6	32,1
Fluid Dynamic Efficiency class	A	E	F	E	A
Light Efficiency (Lehood) lux/Watt	56,7	73,3	5,6	58,3	58,3
Lighting Efficiency class	A	A	F	A	A
Grease Filtering Efficiency (GFEhood) %	98,2	83,7	70,8	75,9	75,9
Grease Filtering Efficiency class	A	C	D	C	C
Air flow (Qmin) m3/h	306	295	234	295	331
Air flow (Qmax) m3/h	586	400	380	400	629
Air flow (Qboost) m3/h	740	650	0	650	782
Noise (LwA) Min Speed, dB	54	48	42	45	54
Noise (LwA) Max Speed, dB	68	56	55	55	66
Noise (LwA) Boost Speed, dB	72	66	0	65	69
Off mode Power (Po), W	0,32	0	0	0	0
Standby Power (Ps), W	0	0,65	0,65	0,74	0,74
Energy Efficiency Index (EEIhood)	53,6	91,0	101,5	91,0	50,1
Time increase actor (f)	0,9	1,5	1,8	1,5	0,8
Air flow at best efficiency point (Qbep) m3/h	391,7	373,0	196,0	373,0	346,0
Air pressure at best efficiency point (Pbep) Pa	445	287,0	99,0	287,0	464,0
Electric power input at best efficiency point (Wbep) W	153,3	235,5	88,3	235,5	139,0
Nominal power of the lighting sy (WL) W	7,0	12,0	40,0	12,0	12,0
Average illumination of the lighting system on the cooking surface (Emiddle) Lux	390,0	879,0	222,0	700,0	700,0

FEATURES

Type	Horizontal	Horizontal	Horizontal	Horizontal	Horizontal
Width (mm)	1100	900	900/700	900	900
Color(s)	Inox & Black	Inox & Black	Inox	Inox & black	Inox & black
Aspiration Type	Conventional	Conventional	Rim Extraction	Rim extraction	Rim extraction
Control Panel	Touch control (glass front) with white display	Touch control with red display	Touch control with red display	Touch control (glass front) with white display	Touch control (glass front) with white display
Remote Control	-	-	-	-	-
Stop delay timer	•	•	•	•	•
Filter saturation indicator	•	-	-	•	•
Operating Pilot Light	-	-	-	-	-
Moisture sensor	-	-	-	-	-
Number of speeds	3 + 1	3 + 1	3	3 + 1	3 + 1
Exhaust Capacity - Free Outlet (m³/h)	795	850	475	850	920
Lamps Type	LED bar	LED	Halogen	LED	LED
Number & Lamp Power, W	1 x 7W	4 x 3W	2 x 20W	4 X 3W	4 X 3W
Number of filters	3	1	2	2	2
Filter description	Stainless Steel MMX	Stainless Steel	Inox panel aluminum filters below	Inox panel aluminum filters below	Inox panel aluminum filters below
Easy-clean inside panel	-	•	-	-	-
Automatic Lighting	-	-	-	-	-
Exchangeable front panel	-	-	-	-	-
Fingerprint proof front panel	-	-	-	-	-

ACCESSORIES

Anti return valve	•	•	•	•	•
Outlet Reduction 150/120 mm	•	•	•	•	•
Outlet Extension 120/120 mm	-	-	-	-	-
Charcoal Filter, optional	D4C + adaptador	D4C	D4C	D4C	D4C + adaptador
Recirculation Kit, optional	SET 1/N + adaptador	1/N	SET 1/N	SET 1/N	SET 1/N + adaptador

TECHNICAL SPECIFICICATIONS

Number & motor type	1 DT	1 DT	1 DT	1 DT	1 DT
Motor Power, W	280	230	105	230	280
Ø Outlet, mm	150	150	150	150	150
Voltage, V	230	220-240	220-240	220-240	220-240
Frequency, Hz	50	50/60	50/60	50/60	50/60
Total Hood Power, W	287	242	145	242	292

MODEL	DEP 90/70/60	DBB 90/70/60 DBB 90/70/60 BLACK	DBB 90/70/60 SS HP	DBP 90/70/60 PRO EEC/ EU
Annual Energy Consumption (AEChood) kWh/a	113,4	113,4	185,9	137,8
Energy Efficiency class	E	E	D	D
Fluid Dynamic Efficiency (FDEhood)	6,9	6,9	14,7	12,9
Fluid Dynamic Efficiency class	F	F	D	E
Light Efficiency (Lehood) lux/Watt	1,0	1	1	1,2
Lighting Efficiency class	G	G	G	G
Grease Filtering Efficiency (GFEhood) %	73,4	73,4	76,1	83,7
Grease Filtering Efficiency class	D	D	D	C
Air flow (Qmin) m3/h	234	234	295	318
Air flow (Qmax) m3/h	380	380	650	613
Air flow (Qboost) m3/h			0	
Noise (LwA) Min Speed, dB	44	44	48	55
Noise (LwA) Max Speed, dB	60	60	67	68
Noise (LwA) Boost Speed, dB	0	0	0	0
Off mode Power (Po), W	0	0	0	0
Standby Power (Ps), W	0	0	0	0
Energy Efficiency Index (EEIhood)	107,7	107,7	99,2	96,0
Time increase actor (f)	1,8	1,8	1,5	1,5
Air flow at best efficiency point (Qbep) m3/h	210,6	210,6	473,9	385,1
Air pressure at best efficiency point (Pbep) Pa	99	99	260	214,2
Electric power input at best efficiency point (Wbep) W	83,7	83,7	232,9	177
Nominal power of the lighting sy (WL) W	80	80	80	56
Average illumination of the lighting system on the cooking surface (Emiddle) Lux	65	65	65	66

FEATURES

Type	Pyramidal	Pyramidal	Pyramidal	Pyramidal
Width (mm)	900 / 700 / 600	900 / 700 / 600	900 / 700 / 600	900 / 700 / 600
Color(s)	Inox	Inox & black	Inox	Inox
Aspiration Type	Conventional	Conventional	Conventional	Conventional
Control Panel	Push Buttons	Push Buttons	Push Buttons	Push Buttons
Remote Control	-	-	-	-
Stop delay timer	-	-	-	-
Filter saturation indicator	-	-	-	-
Operating Pilot Light	•	•	•	•
Moisture sensor	-	-	-	-
Number of speeds	3	3	3	4
Exhaust Capacity - Free Outlet (m³/h)	475	475	850	650
Lamps Type	Incandescent	Incandescent	Incandescent	Halogen
Number & Lamp Power, W	2 x 40W	2 x 40W	2 x 40W	2 x 28W
Number of filters	3 / 2 / 2	3 / 2 / 2	3 / 2 / 2	3 / 2 / 2
Filter description	Aluminium	Aluminum	Aluminum	Stainless Steel
Easy-clean inside panel	-	-	-	-
Automatic Lighting	-	-	-	-
Exchangeable front panel	-	-	-	-
Fingerprint proof front panel	-	-	-	-

ACCESSORIES

Anti return valve	•	•	•	•
Outlet Reduction 150/120 mm	•	•	•	•
Outlet Extension 120/120 mm	-	-	-	-
Charcoal Filter, optional	D4C	D4C	D4C	D4C
Recirculation Kit, optional	SET 1/M	SET 1/M	SET 1/M	SET 1/M

TECHNICAL SPECIFICICATIONS

Number & motor type	1 DT	1 DT	1 DT	1 DT
Motor Power, W	115	115	230	180
Ø Outlet, mm	150	150	150	150
Voltage, V	220 - 240	220-240	220-240	220-240
Frequency, Hz	50/60	50/60	50/60	50/60
Total Hood Power, W	195	195	310	236

MODEL	TIKAL DSS 785	TIKAL DSS 985	DM 975/775/675 S DM 975/775/675 W	DMR 975
Annual Energy Consumption (AEChood) kWh/a	52,4	54,6	42,1	42,1
Energy Efficiency class	A	A	A	A
Fluid Dynamic Efficiency (FDEhood)	33,0	33,0	30,5	30,5
Fluid Dynamic Efficiency class	A	A	A	A
Light Efficiency (Lehood) lux/Watt	43,3	41,7	7,5	7,5
Lighting Efficiency class	A	A	F	F
Grease Filtering Efficiency (GFEhood) %	82,7	82,7	83,7	83,7
Grease Filtering Efficiency class	C	C	C	C
Air flow (Qmin) m3/h	303	303	283	283
Air flow (Qmax) m3/h	597	597	603	603
Air flow (Qboost) m3/h	760,0	760,0	0,0	0,0
Noise (LwA) Min Speed, dB	54	54	53	53
Noise (LwA) Max Speed, dB	68	68	67	67
Noise (LwA) Boost Speed, dB	73	73	0	0
Off mode Power (Po), W	0,32	0,32	0	0
Standby Power (Ps), W	0	0	0	0
Energy Efficiency Index (EEIhood)	49,2	50,4	52,4	52,4
Time increase actor (f)	0,8	0,8	0,9	0,9
Air flow at best efficiency point (Qbep) m3/h	418	418	316,2	316,2
Air pressure at best efficiency point (Pbep) Pa	446	446	383	383
Electric power input at best efficiency point (Wbep) W	157	157	110,4	110,4
Nominal power of the lighting sy (WL) W	9	12	8	8
Average illumination of the lighting system on the cooking surface (Emiddle) Lux	390	500	60	60

FEATURES

Type	Pyramidal	Pyramidal	Pyramidal	Rustic
Width (mm)	700	900	900/700/600	900
Color(s)	Inox	Inox	Inox / white	Anthracite & Gold
Aspiration Type	Conventional	Conventional	Conventional	Conventional
Control Panel	Illuminated push buttons	Illuminated push buttons	Push buttons	Push buttons
Remote Control	-	-	-	-
Stop delay timer	•	•	-	-
Filter saturation indicator	-	-	-	-
Operating Pilot Light	-	-	•	•
Moisture sensor	-	-	-	-
Number of speeds	3 + 1	3 + 1	4	4
Exhaust Capacity - Free Outlet (m³/h)	792	792	650	650
Lamps Type	LED bar	LED bar	LED bulb	LED bulb
Number & Lamp Power, W	1 x 9W	1 x 12W	2 x 4W	2 x 4W
Number of filters	2	3	3 / 2 / 2	3
Filter description	Stainless Steel	Stainless Steel	Stainless Steel	Aluminum
Easy-clean inside panel	-	-	-	-
Automatic Lighting	-	-	-	-
Exchangeable front panel	-	-	-	-
Fingerprint proof front panel	-	-	-	-

ACCESSORIES

Anti return valve	•	•	•	•
Outlet Reduction 150/120 mm	•	•	•	•
Outlet Extension 120/120 mm	-	-	-	-
Charcoal Filter, optional	D4C + adaptador	D4C + adaptador	D4C + adaptador	D4C + adaptador
Recirculation Kit, optional	SET 1/N + adaptador	SET 1/N + adaptador	SET 1/M + adaptador	SET 1/M + adaptador

TECHNICAL SPECIFICICATIONS

Number & motor type	1 DT	1 DT	1 DT	1 DT
Motor Power, W	280	280	270	270
Ø Outlet, mm	150	150	150	150
Voltage, V	230	230	220-240	220-240
Frequency, Hz	50	50	50	50
Total Hood Power, W	289	292	278	278

MODEL	DOS 60.1 BB/AB DOS 90.1 BB/AB	ANJANA 970 VN	LANIA 970 BG TRASGA 970 VN OSA 970 VN	LANIA 670 BG OSA 670 VN
Annual Energy Consumption (AEChood) kWh/a	93,2	112,0	112,0	127,0
Energy Efficiency class	C	C	C	C
Fluid Dynamic Efficiency (FDEhood)	23,8	28,1	28,1	26,0
Fluid Dynamic Efficiency class	B	A	A	B
Light Efficiency (Lehood) lux/Watt	9,0	2,0	2,0	2,0
Lighting Efficiency class	E	G	G	G
Grease Filtering Efficiency (GFEhood) %	66,0	76,0	76,0	76,0
Grease Filtering Efficiency class	D	C	C	C
Air flow (Qmin) m3/h	256	375	375	360
Air flow (Qmax) m3/h	603	605	605	630
Air flow (Qboost) m3/h	0	730	730	745
Noise (LwA) Min Speed, dB	51	54	54	54
Noise (LwA) Max Speed, dB	66	65	65	65
Noise (LwA) Boost Speed, dB	0	69	69	69
Off mode Power (Po), W	0	0,63	0,63	0,63
Standby Power (Ps), W	0	0	0	0
Energy Efficiency Index (EEIhood)	74,6	73,1	73,1	77,5
Time increase actor (f)	1,1	1,1	1,1	1,1
Air flow at best efficiency point (Qbep) m3/h	288	504,8	504,8	453,3
Air pressure at best efficiency point (Pbep) Pa	474	388	388	442
Electric power input at best efficiency point (Wbep) W	159,5	193,6	193,6	213,9
Nominal power of the lighting sy (WL) W	40	56	56	56
Average illumination of the lighting system on the cooking surface (Emiddle) Lux	360	91	91	91

FEATURES

Type	Rustic	Country Style	Country Style	Country Style
Width (mm)	900/600	900	900	600
Color(s)	Beige Brass / Anthracite Brass	Vanilla	Beige / Vanilla / Vanilla	Beige / Vanilla
Aspiration Type	Conventional	Conventional	Conventional	Conventional
Control Panel	Electronic Control	Electronic control with white display	Electronic control with white display	Electronic control with white display
Remote Control	-	-	-	-
Stop delay timer	-	-	-	-
Filter saturation indicator	-	-	-	-
Operating Pilot Light	*	-	-	-
Moisture sensor	-	-	-	-
Number of speeds	3	4+1	4+1	4+1
Exhaust Capacity - Free Outlet (m³/h)	650	734	734	763
Lamps Type	Halogen	Halogen	Halogen	Halogen
Number & Lamp Power, W	2 X 20W	2 x 28W	2 x 28W	2 x 28W
Number of filters	2	2	2	1
Filter description	Aluminum	Aluminum	Aluminum	Aluminum
Easy-clean inside panel	-	-	-	-
Automatic Lighting	-	-	-	-
Exchangeable front panel	-	-	-	-
Fingerprint proof front panel	-	-	-	-

ACCESSORIES

Anti return valve	*	*	*	*
Outlet Reduction 150/120 mm	*	-	-	-
Outlet Extension 120/120 mm	-	-	-	-
Charcoal Filter, optional	D5C	D7C	D7C	D7C
Recirculation Kit, optional	SET 4/D	-	-	-

TECHNICAL SPECIFICICATIONS

Number & motor type	1 DT	1 DT	1 DT	1 DT
Motor Power, W	250	275	275	275
Ø Outlet, mm	150	150	150	150
Voltage, V	220-230	220-240	220-240	220-240
Frequency, Hz	50/60	50	50	50
Total Hood Power, W	290	331	331	331

MODEL	DHI 90	INTEGRA 965	NR1 89 (1 MOTOR)	NR1 89 (2 MOTORS)	GFH 73 GFH 55
Annual Energy Consumption (AEChood) kWh/a	130,2	47,8	122,1	178,8	124,5
Energy Efficiency class	D	A	E	F	E
Fluid Dynamic Efficiency (FDEhood)	13,7	31,6	8,2	4,9	6,5
Fluid Dynamic Efficiency class	D	A	E	F	F
Light Efficiency (Lehood) lux/Watt	75,0	29,0	1,0	1,0	5,0
Lighting Efficiency class	A	A	G	G	F
Grease Filtering Efficiency (GFEhood) %	83,7	76,0	51,9	46,6	77,6
Grease Filtering Efficiency class	C	C	F	F	C
Air flow (Qmin) m3/h	295	224	152	259	223
Air flow (Qmax) m3/h	400	625	223	342	329
Air flow (Qboost) m3/h	650	0	-	-	0
Noise (LwA) Min Speed, dB	48	46	63	68	62
Noise (LwA) Max Speed, dB	57	69	65	70	69
Noise (LwA) Boost Speed, dB	68	0	0	0	0
Off mode Power (Po), W	0	0	0	0	0
Standby Power (Ps), W	0,95	0	0	0	0
Energy Efficiency Index (EEIhood)	90,2	52	105,7	112,6	106,3
Time increase actor (f)	1,5	0,9	1,7	1,8	1,8
Air flow at best efficiency point (Qbep) m3/h	402	352	163,2	198	234
Air pressure at best efficiency point (Pbep) Pa	278	434	184	160	146
Electric power input at best efficiency point (Wbep) W	225,8	134,5	102,3	180,8	145
Nominal power of the lighting sy (WL) W	9	5	80	80	40
Average illumination of the lighting system on the cooking surface (Emiddle) Lux	675	145	80	80	186

FEATURES

Type	Built-in / Free installation	Built-in	Built-in	Built-in	Filter Group
Width (mm)	900	894	600	600	730/550
Color(s)	Inox	Inox	White	White	Stainless steel
Aspiration Type	Conventional	Conventional	Conventional	Conventional	Conventional
Control Panel	Backlit electronic control	Rotary knob (pop in- pop out)	Slider	Slider	Push buttons
Remote Control	-	-	-	-	-
Stop delay timer	*	-	-	-	-
Filter saturation indicator	-	-	-	-	-
Operating Pilot Light	-	-	*	*	*
Moisture sensor	-	-	-	-	-
Number of speeds	3 + 1	3	3	3	3
Exhaust Capacity - Free Outlet (m³/h)	850	630	508	530	367
Lamps Type	LED	LED	Incandescent	Incandescent	Halogen
Number & Lamp Power, W	3x3 W	2 X 2,5W	2 x 40W	2 x 40W	2 x 20W
Number of filters	2	2	1	1	2
Filter description	Stainless Steel	Aluminum	Metallic	Metallic	Aluminum
Easy-clean inside panel	*	-	-	-	-
Automatic Lighting	-	-	-	-	-
Exchangeable front panel	-	-	-	-	-
Fingerprint proof front panel	-	-	-	-	-

ACCESSORIES

Anti return valve	*	*	-	-	-
Outlet Reduction 150/120 mm	*	*	-	-	-
Outlet Extension 120/120 mm	-	-	-	-	*
Charcoal Filter, optional	D4C included	D9C	C5C	C5C	C3C
Recirculation Kit, optional	SET 1S included	-	-	-	-

TECHNICAL SPECIFICICATIONS

Number & motor type	1 DT	1 DT	1	2	1 DT
Motor Power, W	230	260	125	250	175
Ø Outlet, mm	150	150	120	120	120
Voltage, V	220-240	220-240	230	230	230
Frequency, Hz	50/60	50/60	50	50	50
Total Hood Power, W	239	265	205	330	215

MODEL	GFT-800	GFT	GFG 2 GFG 2 W/B	CNL 9815 PLUS CNL 6815 PLUS	CNL 9610 CNL 6610
Annual Energy Consumption (AEChood) kWh/a	183,8	88,2	98,9	56,6/54,5	107/105,9
Energy Efficiency class	D	E	E	A	C
Fluid Dynamic Efficiency (FDEhood)	13,5	9,7	6,5/6,4	33,1	17,2
Fluid Dynamic Efficiency class	D	E	F	A	D
Light Efficiency (Lehood) lux/Watt	1,0	1,0	16,4 / 16	41,7/43,3	33,3/42,7
Lighting Efficiency class	G	G	C / D	A	A
Grease Filtering Efficiency (GFEhood) %	85,7	85,7	85,7	84	72,8
Grease Filtering Efficiency class	B	B	B	C	D
Air flow (Qmin) m3/h	280	205	223	295	330
Air flow (Qmax) m3/h	653	303	329	555	445
Air flow (Qboost) m3/h	0,0	0,0	0,0	730	694
Noise (LwA) Min Speed, dB	48	50	53	53	60
Noise (LwA) Max Speed, dB	66	64	63	65	63
Noise (LwA) Boost Speed, dB	0	0	0	70	70
Off mode Power (Po), W	0	0	0	0	0
Standby Power (Ps), W	0	0	0	0	0
Energy Efficiency Index (EEIhood)	99,2	102,9	101,1 / 100,5	50,5 / 49,3	82,7 / 82,4
Time increase actor (f)	1,5	1,7	1,8	0,8	1,4
Air flow at best efficiency point (Qbep) m3/h	427	159	228	420	433
Air pressure at best efficiency point (Pbep) Pa	260	99	149	465	290
Electric power input at best efficiency point (Wbep) W	229	48	145	164	203
Nominal power of the lighting sy (WL) W	80	80	5	12	4,5/3
Average illumination of the lighting system on the cooking surface (Emiddle) Lux	54	54	82	500/390	150/128

FEATURES

Type	Filter Group	Filter Group	Filter Group	Pull out	Pull out
Width (mm)	500	500	550	900/600	900/600
Color(s)	Inox	Inox	Inox/White glass/ Black glass	Inox	Inox
Aspiration Type	Conventional	Conventional	Conventional	Conventional	Conventional
Control Panel	Slider	Slider	Push buttons	Electronic	Electronic
Remote Control	-	-	-	-	-
Stop delay timer	-	-	-	•	•
Filter saturation indicator	-	-	-	-	-
Operating Pilot Light	•	•	-	-	-
Moisture sensor	-	-	-	-	-
Number of speeds	3	3	3	5+1	2+1
Exhaust Capacity - Free Outlet (m³/h)	830	434	444	734	745
Lamps Type	Incandescent	Incandescent	LED bar	LED bar	230V LED
Number & Lamp Power, W	2 x 40W	2 x 40W	1x5W	1x12W / 1x9W	3x1.5W/ 2x1.5W
Number of filters	1	1	1	4 / 2	4 / 2
Filter description	Aluminum	Aluminum	Stainless Steel Aluminium (W/B)	Stainless Steel	Aluminum
Easy-clean inside panel	-	-	-	-	-
Automatic Lighting	-	-	-	•	•
Exchangeable front panel	-	-	-	•	•
Fingerprint proof front panel	-	-	-	•	•

ACCESSORIES

Anti return valve	•	•	•	•	•
Outlet Reduction 150/120 mm	-	-	-	•	•
Outlet Extension 120/120 mm	-	•	•	-	-
Charcoal Filter, optional	D4C	D4C	C3C	D4C + adaptador	D4C
Recirculation Kit, optional	-	-	-	-	-

TECHNICAL SPECIFICICATIONS

Number & motor type	2 DT	1 DT	1 DT	1 DT	1 DT
Motor Power, W	230	140	175	265	230
Ø Outlet, mm	150	120	120	150	150
Voltage, V	220-240	230	230	230	230
Frequency, Hz	50/60	50	50	50	50
Total Hood Power, W	310	220	180	277/274	235/233

MODEL	CNL 6415 PLUS	CNL 6415	CNL 6400	TL 7420 TL 6420
Annual Energy Consumption (AEChood) kWh/a	30,3	25,9	122,4	161,8
Energy Efficiency class	A	A	E	E
Fluid Dynamic Efficiency (FDEhood)	26,7	26,7	6,8	6,1
Fluid Dynamic Efficiency class	B	B	F	F
Light Efficiency (Lehood) lux/Watt	43,3	42,7	42,7	0,8
Lighting Efficiency class	A	A	A	G
Grease Filtering Efficiency (GFEhood) %	84,0	74,6	74,6	69,3
Grease Filtering Efficiency class	C	D	D	D
Air flow (Qmin) m3/h	141	226	161	177
Air flow (Qmax) m3/h	293	312	224	354
Air flow (Qboost) m3/h	385	385	385	0
Noise (LwA) Min Speed, dB	52	57	56	55
Noise (LwA) Max Speed, dB	64	64	61	69
Noise (LwA) Boost Speed, dB	69	69	70	0
Off mode Power (Po), W	0	0	0	0
Standby Power (Ps), W	0	0	0	0
Energy Efficiency Index (EEIhood)	54,1	49,1	104,1	109,8
Time increase actor (f)	1,0	1,0	1,8	1,8
Air flow at best efficiency point (Qbep) m3/h	237	237	224	206
Air pressure at best efficiency point (Pbep) Pa	264	264	200	195
Electric power input at best efficiency point (Wbep) W	65	65	183	184
Nominal power of the lighting sy (WL) W	9	3	3	56
Average illumination of the lighting system on the cooking surface (Emiddle) Lux	390	128	128	44

FEATURES

Type	Pull out	Pull out	Pull out	Pull out
Width (mm)	600	600	600	700/600
Color(s)	Inox / White glass Black glass	Inox/White/Black	Inox/White/Black	Inox/White (60)
Aspiration Type	Conventional	Conventional	Conventional	Conventional
Control Panel	Electronic	Electronic	Electronic	Mechanical
Remote Control	-	-	-	-
Stop delay timer	•	•	•	-
Filter saturation indicator	-	-	-	-
Operating Pilot Light	-	-	-	-
Moisture sensor	-	-	-	-
Number of speeds	5+1	2+1	2+1	3
Exhaust Capacity - Free Outlet (m³/h)	393	393	432	390
Lamps Type	LED	LED	LED	Halogen
Number & Lamp Power, W	1 x 9W	2 x 1,5W	2 X 1,5W	2 x 28W
Number of filters	2	2	2	2
Filter description	Stainless Steel	Stainless Steel	Stainless Steel	Aluminum
Easy-clean inside panel	-	-	-	-
Automatic Lighting	•	•	•	-
Exchangeable front panel	•	•	•	•
Fingerprint proof front panel	•	•	•	-

ACCESSORIES

Anti return valve	•	•	•	•
Outlet Reduction 150/120 mm	-	-	-	-
Outlet Extension 120/120 mm	-	-	•	•
Charcoal Filter, optional	CNL 1C	CNL 1C	C1C	C1C
Recirculation Kit, optional	-	-	-	-

TECHNICAL SPECIFICICATIONS

Number & motor type	1 DT	1 DT	2	2
Motor Power, W	110	110	230	230
Ø Outlet, mm	120	120	120	120
Voltage, V	230	230	230	230
Frequency, Hz	50	50	50	50
Total Hood Power, W	119	113	233	286

MODEL	TL 9310 TL 6310	TL1 52	C 9420 C 6420	C 9310 C 6310
Annual Energy Consumption (AEChood) kWh/a	137,5	138,0	155,7	130,9
Energy Efficiency class	E	E	E	E
Fluid Dynamic Efficiency (FDEhood)	6,4	6,4	7,3	5,3
Fluid Dynamic Efficiency class	F	F	F	F
Light Efficiency (Lehood) lux/Watt	0.7/0.8	0,8	0.7/0.8	0.7/0.8
Lighting Efficiency class	G	G	G	G
Grease Filtering Efficiency (GFEhood) %	69,3	69,3	72,8	72,8
Grease Filtering Efficiency class	D	D	D	D
Air flow (Qmin) m3/h	233	233	141	124
Air flow (Qmax) m3/h	332	332	375	235
Air flow (Qboost) m3/h	0	0	0	0
Noise (LwA) Min Speed, dB	56	56	60	45/49
Noise (LwA) Max Speed, dB	65	65	72	62/66
Noise (LwA) Boost Speed, dB	0	0	0	0
Off mode Power (Po), W	0	0	0	0
Standby Power (Ps), W	0	0	0	0
Energy Efficiency Index (EEIhood)	108,3	108,3	105,3	107,7
Time increase actor (f)	1,8	1,8	1,7	1,8
Air flow at best efficiency point (Qbep) m3/h	228	228	220	136
Air pressure at best efficiency point (Pbep) Pa	149	149	222	191
Electric power input at best efficiency point (Wbep) W	147	147	185	137
Nominal power of the lighting sy (WL) W	56	56	56	56
Average illumination of the lighting system on the cooking surface (Emiddle) Lux	41/44	54	41/44	41/44

FEATURES

Type	Pull out	Pull out	Classic	Classic
Width (mm)	900/600	500	900/600	900/600
Color(s)	Inox/ White(60) / Black (60)	Inox	Inox/White (60) /Black (60)	Inox/White (60) /Black (60)
Aspiration Type	Conventional	Conventional	Conventional	Conventional
Control Panel	Mechanical	Mechanical	Push buttons (inox) /Slider (W/B)	Push buttons (inox) /Slider (W/B)
Remote Control	-	-	-	-
Stop delay timer	-	-	-	-
Filter saturation indicator	-	-	-	-
Operating Pilot Light	-	-	•	•
Moisture sensor	-	-	-	-
Number of speeds	2	2	3	3
Exhaust Capacity - Free Outlet (m³/h)	366	366	422	254
Lamps Type	Halogen	Incandescent Halogen	Halogen	Halogen
Number & Lamp Power, W	2 x 28	2 x 28W	2 x 28W	2 x 28W
Number of filters	4 /2	2	3 / 2	3 / 2
Filter description	Aluminum	Aluminum	Aluminum	Aluminum
Easy-clean inside panel	-	-	-	-
Automatic Lighting	-	-	-	-
Exchangeable front panel	•	•	-	-
Fingerprint proof front panel	-	-	• (Inox)	• (Inox)

ACCESSORIES

Anti return valve	•	•	•	•
Outlet Reduction 150/120 mm	-	-	-	-
Outlet Extension 120/120 mm	•	•	•	•
Charcoal Filter, optional	C3C	C3C	C1R	C2R
Recirculation Kit, optional	-	-	-	-

TECHNICAL SPECIFICICATIONS

Number & motor type	1 DT	1 DT	2	1
Motor Power, W	175	175	260	130
Ø Outlet, mm	120	120	120	120
Voltage, V	230	230	230	230
Frequency, Hz	50	50	50	50
Total Hood Power, W	231	230	316	186

MODEL	CL 610 W CL 610 S	CL 600 W/S CL 500 W	CL 500 S	CBE 60.1 S CBE 60.1 W
Annual Energy Consumption (AEChood) kWh/a	83	103,0	83	59,4
Energy Efficiency class	D	E	D	D
Fluid Dynamic Efficiency (FDEhood)	6,2	6,2	6,2	3,5
Fluid Dynamic Efficiency class	F	F	F	G
Light Efficiency (Lehood) lux/Watt	1	2	1	3
Lighting Efficiency class	G	G	G	G
Grease Filtering Efficiency (GFEhood) %	70,0	70,0	70,0	76
Grease Filtering Efficiency class	D	D	D	C
Air flow (Qmin) m3/h	147	147	147	65
Air flow (Qmax) m3/h	200	200	200	125
Air flow (Qboost) m3/h	0	0	0	0
Noise (LwA) Min Speed, dB	52	52	52	48
Noise (LwA) Max Speed, dB	61	61	61	62
Noise (LwA) Boost Speed, dB	0	0	0	0
Off mode Power (Po), W	0	0	0	0
Standby Power (Ps), W	0	0	0	0
Energy Efficiency Index (EEIhood)	99,9	105	99,9	95,8
Time increase actor (f)	1,8	1,8	1,8	1,9
Air flow at best efficiency point (Qbep) m3/h	119	119	119	95
Air pressure at best efficiency point (Pbep) Pa	179	179	179	75
Electric power input at best efficiency point (Wbep) W	95	95	95	57
Nominal power of the lighting sy (WL) W	28	56	28	28
Average illumination of the lighting system on the cooking surface (Emiddle) Lux	41	96	41	84

FEATURES

Type	Classic	Classic	Classic	Classic
Width (mm)	600	600/500	500	600
Color(s)	White & glass panel Inox & glass panel	White(60-50)/Inox(60)	Inox	Silver/White
Aspiration Type	Conventional	Conventional	Conventional	Conventional
Control Panel	Slider control	Slider control	Slider control	Slider control
Remote Control	-	-	-	-
Stop delay timer	-	-	-	-
Filter saturation indicator	-	-	-	-
Operating Pilot Light	-	-	-	-
Moisture sensor	-	-	-	-
Number of speeds	3	3	3	3
Exhaust Capacity - Free Outlet (m³/h)	205	205	205	130
Lamps Type	Halogen	Halogen	Halogen	Halogen
Number & Lamp Power, W	1 X 28 W	2 x 28 W	1 x 28 W	1 X 28 W
Number of filters	2	2 / 1	1	1
Filter description	Aluminium	Aluminium	Aluminium	Metallic
Easy-clean inside panel	-	-	-	-
Automatic Lighting	-	-	-	-
Exchangeable front panel	-	-	-	-
Fingerprint proof front panel	-	-	-	-

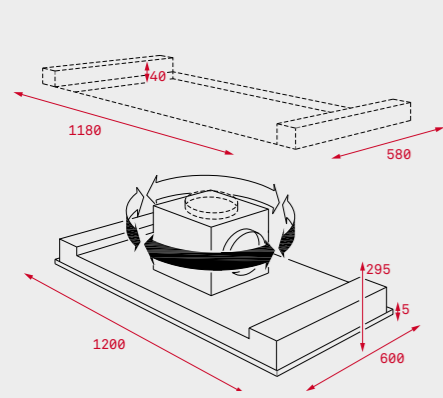
ACCESSORIES

Anti return valve	•	•	•	•
Outlet Reduction 150/120 mm	-	-	-	125
Outlet Extension 120/120 mm	-	-	-	1 X 125mm 1X 100mm
Charcoal Filter, optional	C4C	C4C	C4C	-
Recirculation Kit, optional	-	-	-	-

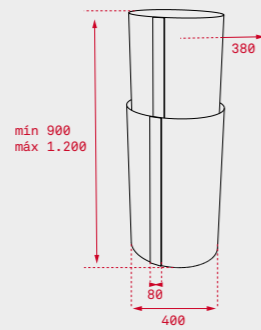
TECHNICAL SPECIFICICATIONS

Number & motor type	1	1	1	1
Motor Power, W	110	110	110	80
Ø Outlet, mm	120	120	120	125
Voltage, V	220-240	220-240	220-240	220-240
Frequency, Hz	50	50	50	50/60
Total Hood Power, W	138	166	138	108

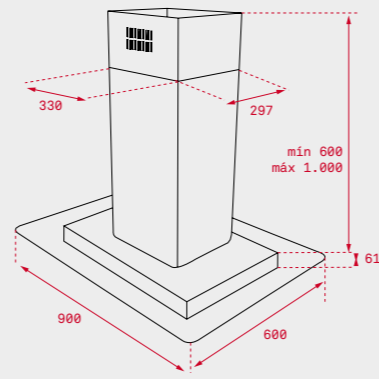
INSTALLATION DIAGRAM



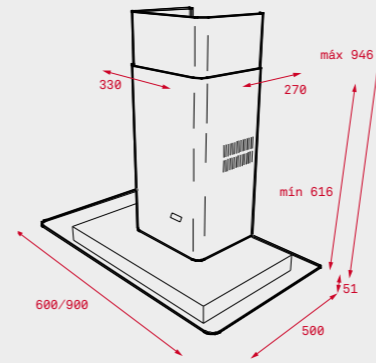
DHT 1285 ISLAND



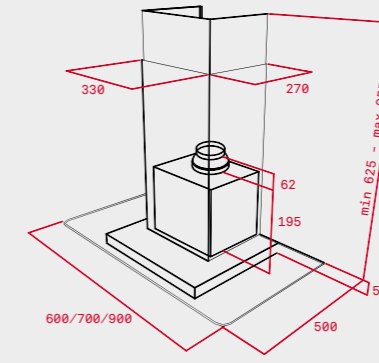
CC 485 · CC 480 ISLAND



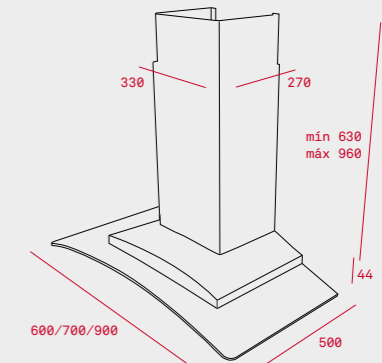
DG3 985 · DG3 980 ISLAND



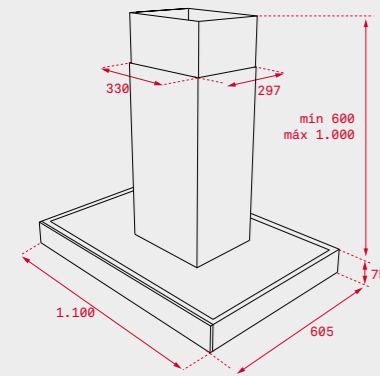
DGE 90/60 · DG3 90/60



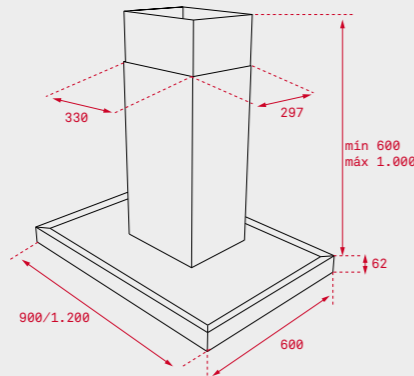
DG 950/750/650 · DG 985/785/685 · DG 980/780/680



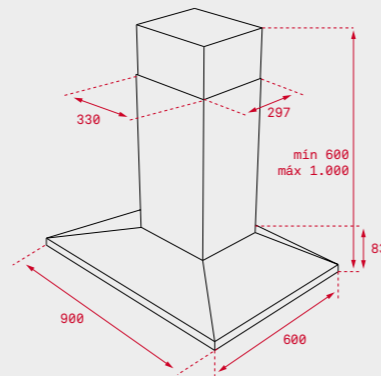
NCE 90/60 · NC2 90/70/60



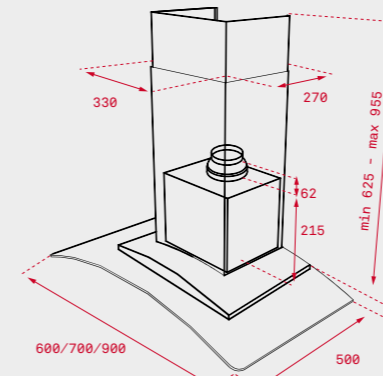
DPL 1185 · DPL 1180 ISLAND



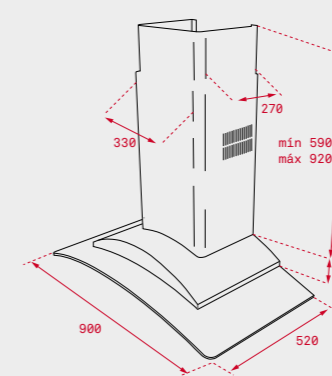
DH2 1285 · DH2 985 · DH2 980 ISLAND



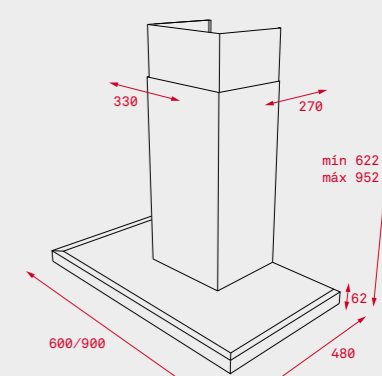
DSB 985 ISLAND



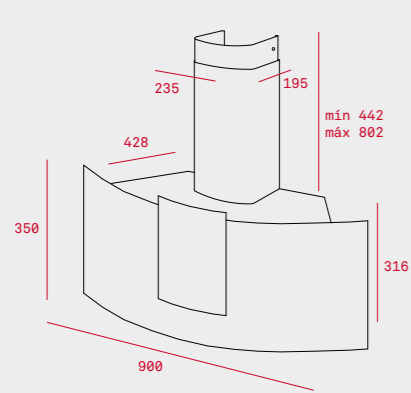
NC 985/785/685 · NC 950/750/650 · NC 980/780/680



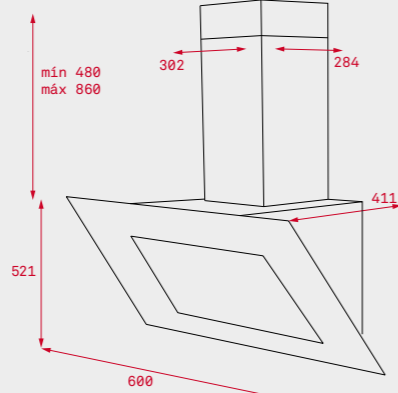
DF 90



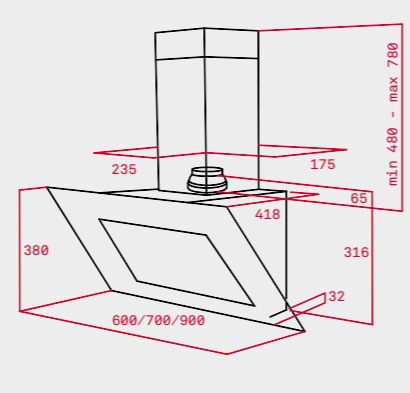
DJE 90/60



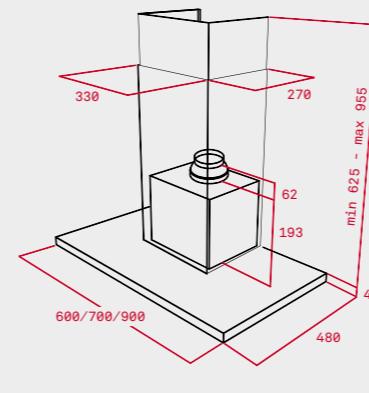
DU 985



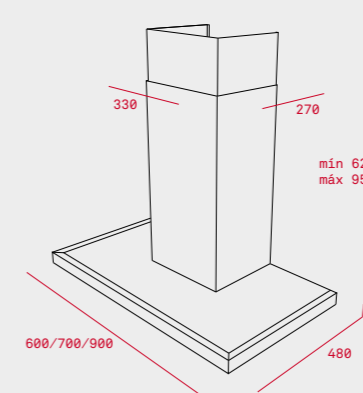
DVC 560



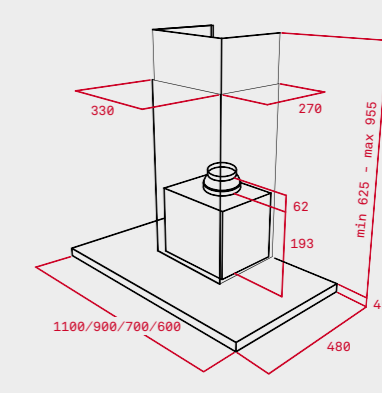
DVT 950/650 · DVT 985/785/685 · DVT 980/780/680



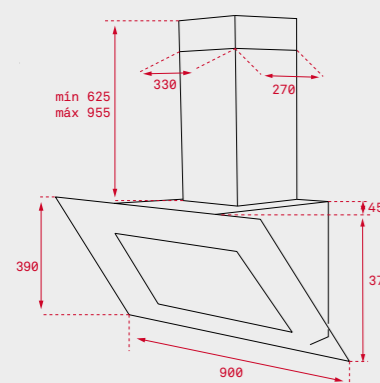
DJ 950/750/650



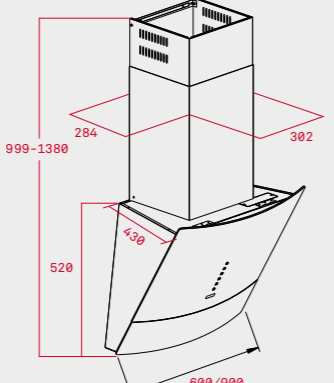
DH2 90/70/60



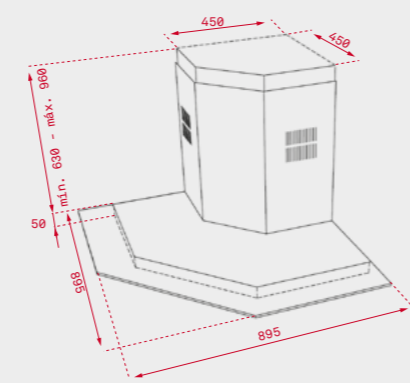
DH 1185/985/785/685 T · DH 1180/980/780/680 T



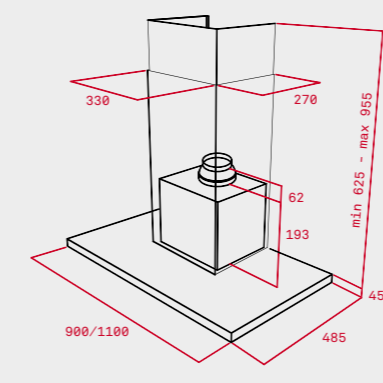
DLV 998 · DLV 985



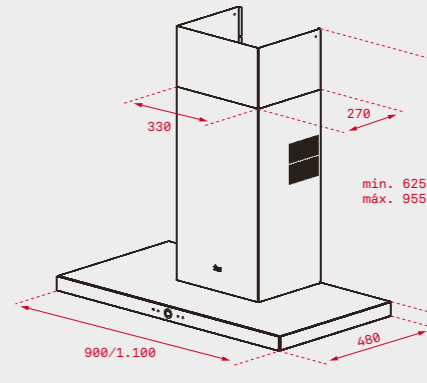
DVU 590/560



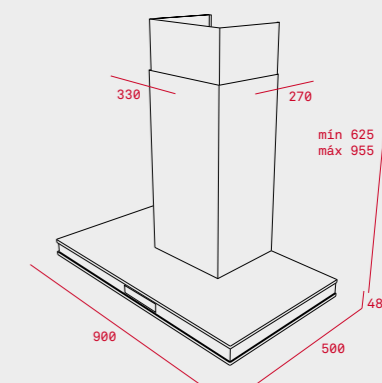
DQ2 985



DH 985/785/685 · DH 980/780/680



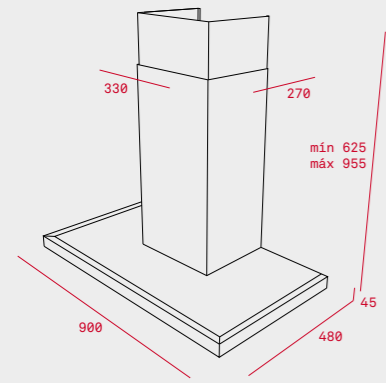
DLH 985T/1185T PERFECT A4



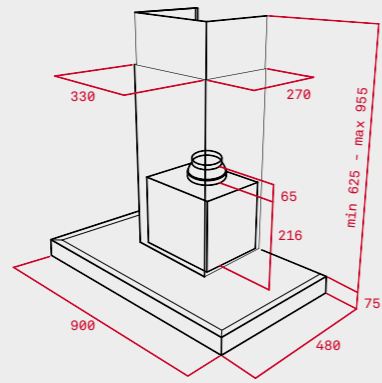
DHC 90 SLIM



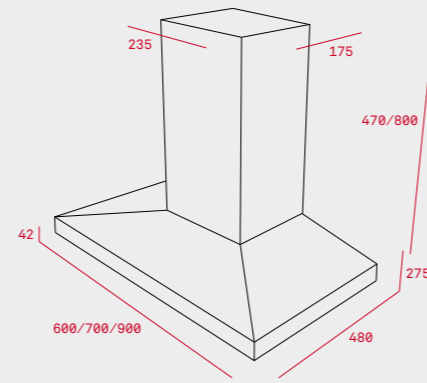
INSTALLATION DIAGRAM



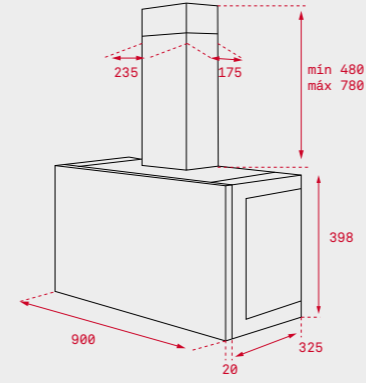
DPS 90/70 SLIM



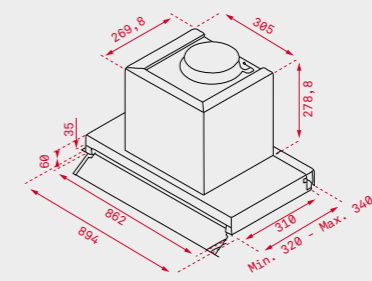
DPL 985.1 T · DPL 980 T



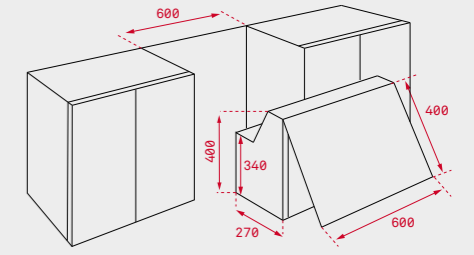
DEP 90/70/60



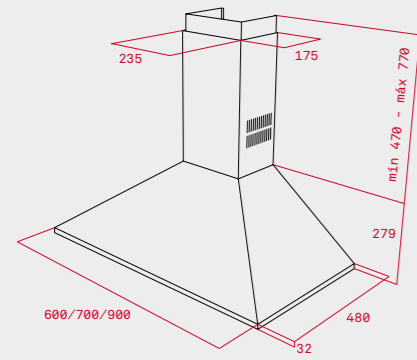
DHI 90 PANELABLE



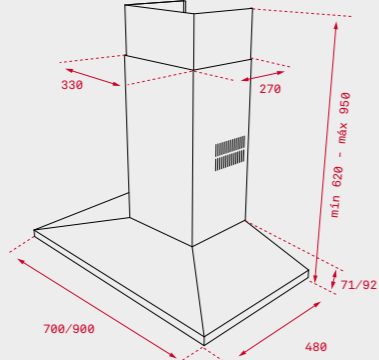
INTEGRA 96



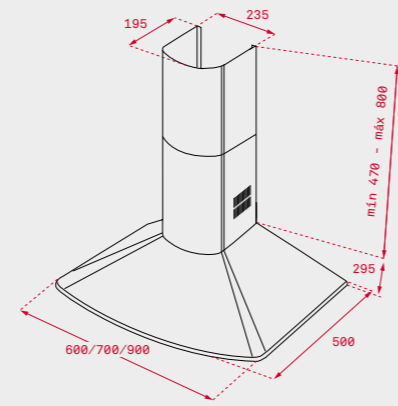
NR1 89



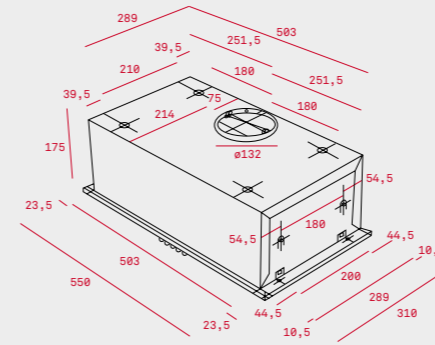
DBB 90 /70/60 · DBB 90 /70/60 HP · DBP 60/70/90 PRO



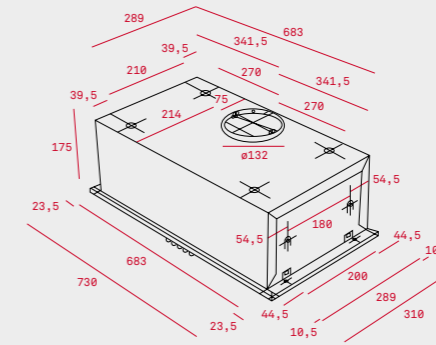
TIKAL DSS 985/ 785



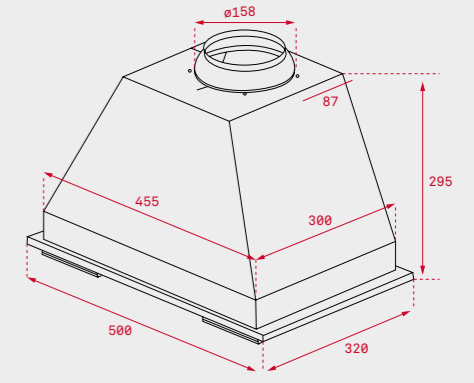
DM 675/775/975



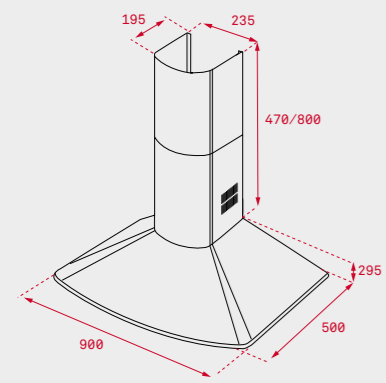
GFH 55



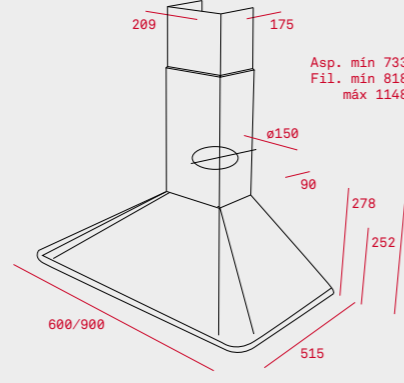
GFH 73



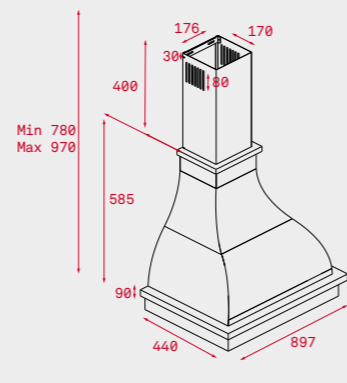
GFT · GFT 800



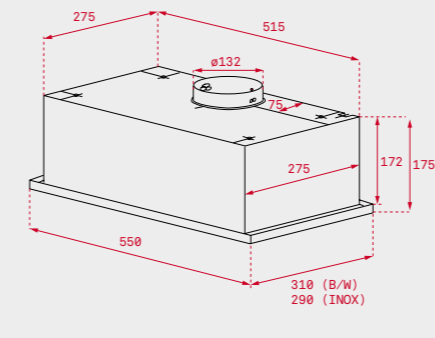
DMR 975



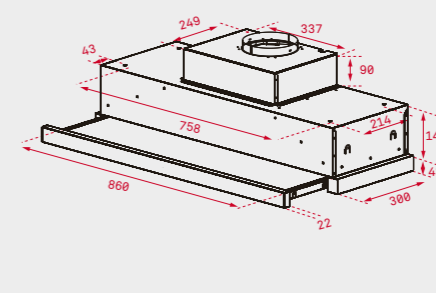
DOS 90.1/60.1



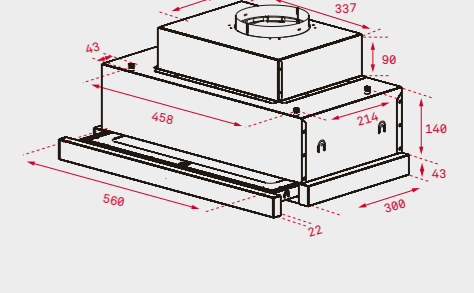
ANJANA 970 VN



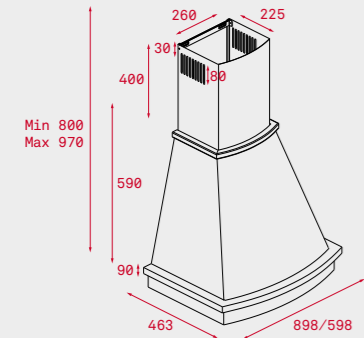
GFG 2



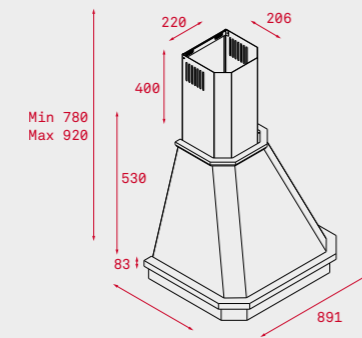
CNL 9815 PLUS · CNL 9610



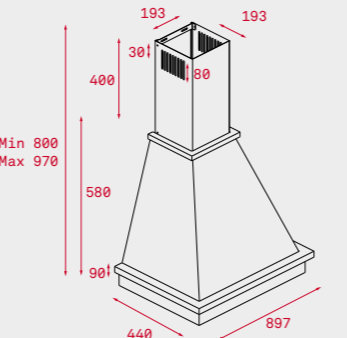
CNL 6815 PLUS · CNL 6610



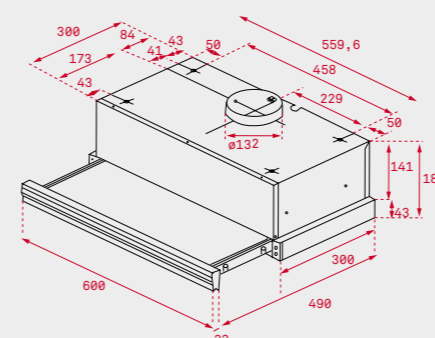
LANIA 970/670 BG



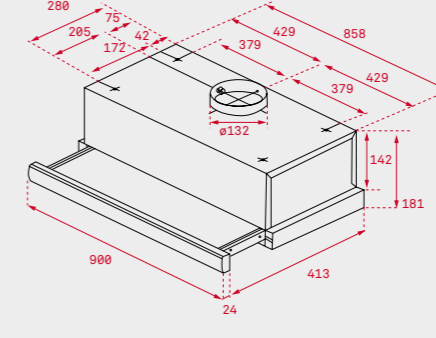
TRASGA 970 VN



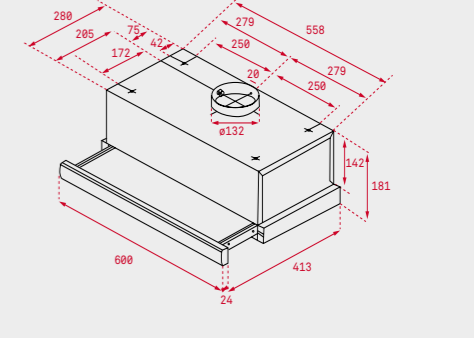
OSA 970 VN



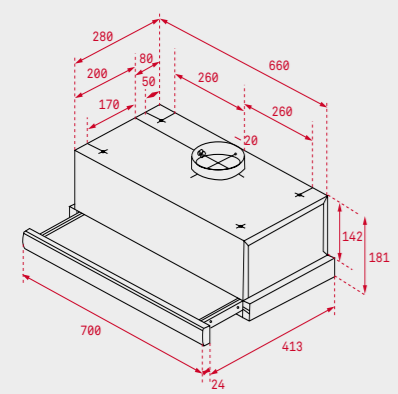
CNL 6415 PLUS · CNL 6415 · CNL 6400



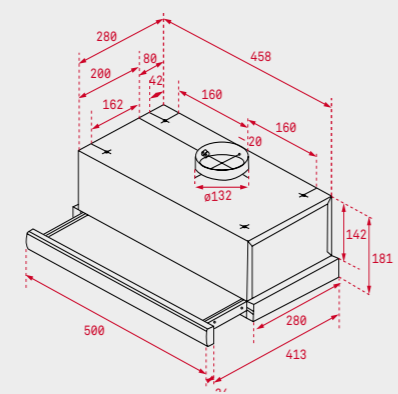
TL 9310



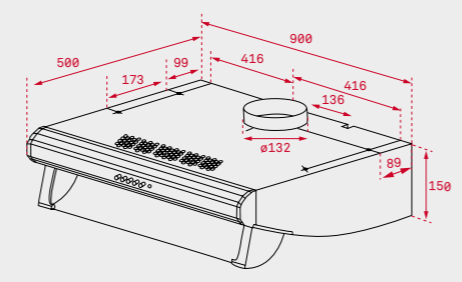
TL 6420 · TL 6310



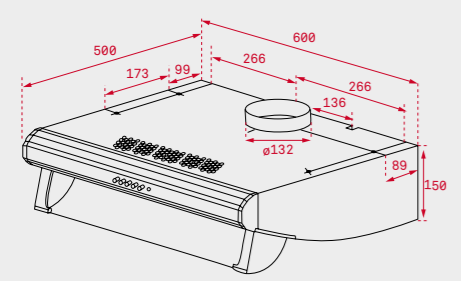
TL 7420



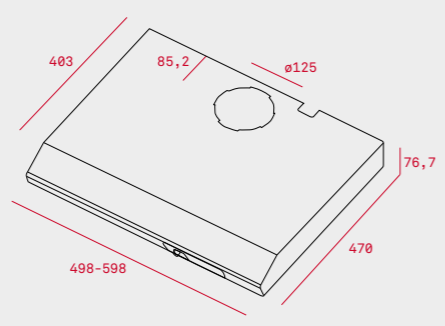
TL1 52



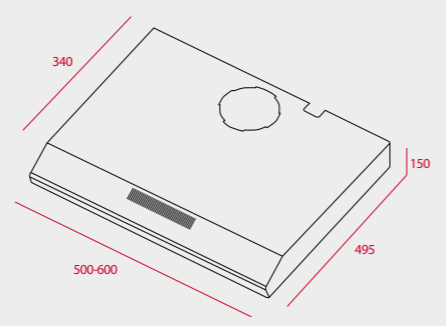
C 9420 · C 9310



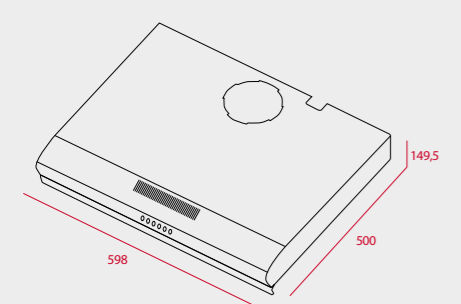
C 6310 · C 6420



CBE 60



CL 600/500



CL 610

