



SANITARY | TAPS | SHOWERS

2018





**Teka.**  
Global bathroom  
solutions.

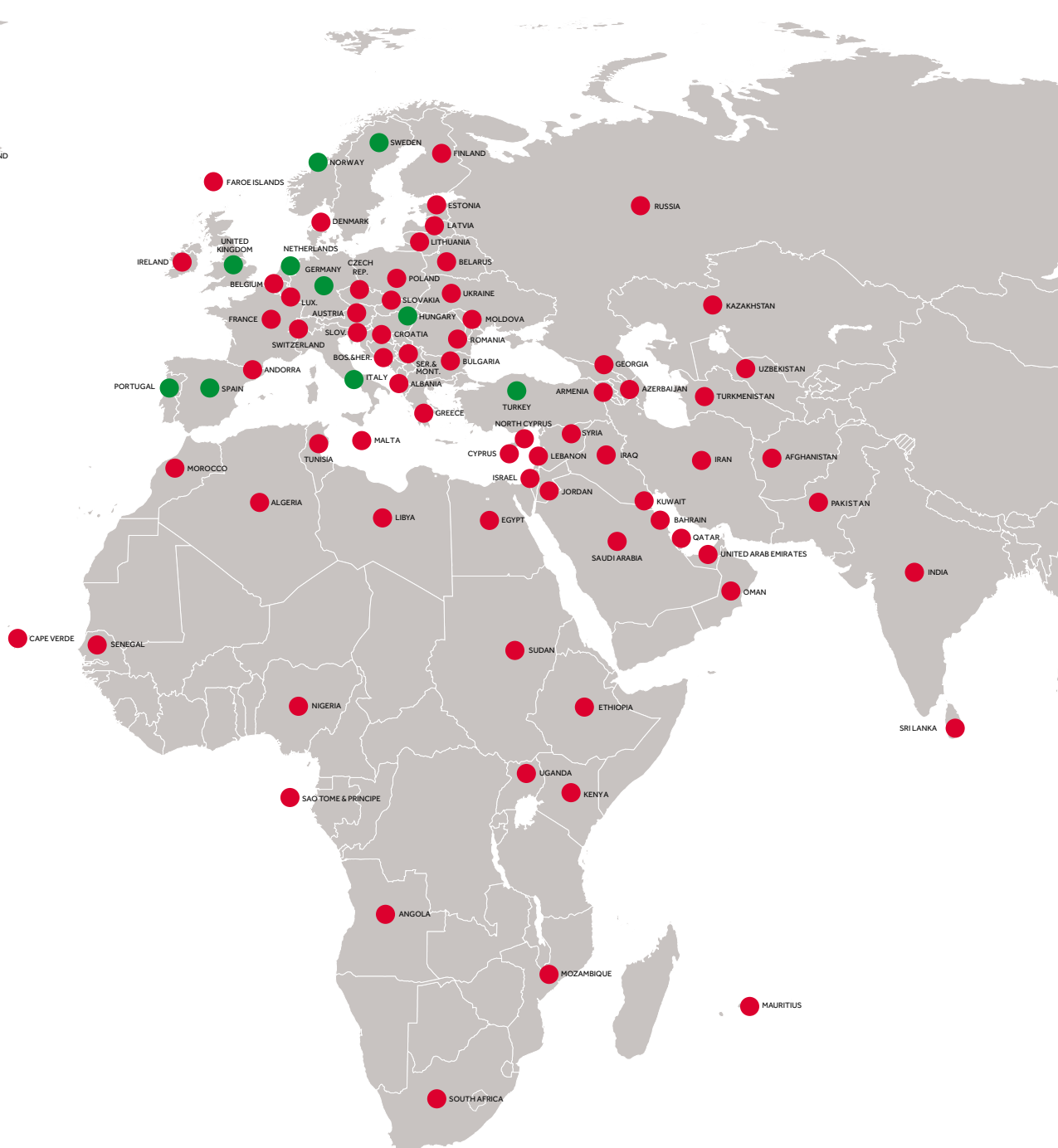


## Index

### SANITARY | TAPS | SHOWERS

TEKA GROUP	4
TAPS GENERAL FEATURES	10
THERMOSTATIC MIXERS & SHOWER COLLECTION	17
BATHROOM TAPS COLLECTION	53
COLD TAPS	113
SPECIAL TAPS	117
SHOWER TRAYS	123
SHOWER ENCLOSURES	131
BATHROOM ACCESORIES	137
CONCEALED WC FLUSHING SYSTEMS	144
KITCHEN TAPS COLLECTION	149

# Teka, wherever a customer needs us, we deliver solutions



With a worldwide presence, including **25 factories on 3 continents and subsidiaries in 33 countries**, the Group operates in over **110 countries, on 5 continents**.

We strive to attain and maintain the highest quality certifications in compliance with the strictest environmental standards.





# Teka, more than a century producing taps

The Teka Group has also factories which are specialists in the production of bathroom products. Our core business includes taps, shower systems and stainless steel sanitaryware and accessories. Located in Spain, Hungary, China and Norway, these factories satisfy the needs of our partners in over 50 countries. Our experience of over 100 years has earned the trust of installers and plumbers all over the world.

Our goal of offering complete solutions for bathroom to our partners has motivated us to acquire or build new factories in Europe and Asia.

As part of the Teka Group, a market leader in kitchen solutions, we have been able to develop one of the world's most comprehensive ranges of kitchen taps.



## **Teka Sanitary Systems S.A.**

Teka Sanitary Systems S.A., is the headquarters of the bathroom activities of the Teka Group. It is responsible for R&D and new technologies, as well as for the design center and main Quality Control laboratory. The company coordinates the two main logistic centers for bathroom products and kitchen taps. Its production facilities focus on mid and high end products.



## **Teka Magyarország**

Market leader in Hungary it is also one the main European manufacturers of ball valves for water and gas. It has been historically consolidating its position in very complex markets as the Russian Market, Germany and The Netherlands. Located in one of the main roads of central Europe, very near to Vienna, it is also the logistic platform of the Teka group for the countries of the area.



## **Kaiping Teka Faucets**

Designed to improve the position of Teka Sanitary Systems in the Asian markets and in Dollar influence areas, this production plant has implemented a certified management system according to ISO 9001.

In addition, it is recognized as productive center of Teka Sanitary Systems by the certification entities of AENOR (Spain) and AFNOR or CSTB (France).

# Teka, in-house complete manufacturing process



# 1

## Casting Department

High precision foundry machines that use CC757S high quality Brass.

# 2

## Machining Department

The best way to grant a perfect machining quality is to make all the operations in a single process, this is only possible using modern CNC transfer machines.

# 3

## Grinding and Polishing Department

Robotics used to fully automate the demanding grinding process, assuring consistent quality.

Automated polishing of the grinded parts to provide a high polish finishing before applying the chrome coating.





## 4

### Galvanic plant

Fully automated chrome plating plant equipped with the highest environment protecting technologies.

High quality chrome coating with a high resistance to corrosion and scratches that grants a durable shine (12,5 Ni-Cr thickness)

## 5

### Special finishes workshop

High resistance lacquers and other new generation finishes like fotoluminiscent paints and nanotechnology.

## 6

### Quality control, assembly and packaging

Product components assembly as well as function and watertightness tests of 100% of the products. Product and components careful disposal in their protective packing.

# Teka Cool:lab

# R+D+i+

IDEAS+CREATIVITY+FRESHNESS+EVOLU-  
TION+HANDINESS+FUN+IDEAS+IDEAS+IDEAS+I  
DEAS+IDEAS+IDEAS+IDEAS+IDEAS+IDEAS+IDEA  
S+IDEAS+IDEAS+IDEAS+IDEAS+IDEAS+IDEAS+I  
DEAS+IDEAS+IDEAS+IDEAS+IDEAS+IDEAS+IDEA  
S+IDEAS+IDEAS +IDEAS+IDEAS...  
Y +IDEAS

COOL:LAB



Whilst pondering on the name we were to give the innovations jointly developed by our R&D&I team and contract designers for this new catalogue, some questions arose: what name to give this blend of new dreams and ideas for bathrooms and kitchens? Was it possible to bring together so much innovation and new design under one single name? And that's how we came up with COOL LAB®

A laboratory of fresh, practical, fun and original ideas. It gathers under one roof designs of our own Teka In-House Design Department, contributions from international designers and important architecture studios, new tap finishes such as Black&White by Teka, fun glow-in-the-dark taps thanks to the new Moonlite® finish, the force of the new Titanium Chrome® development and the state-of-the art minimalism of the Aura series.

This is our ever-expanding and developing laboratory of ideas.

This is the continually evolving open forum for new creations.

This is how trends are born: from good ideas...  
by TEKA COOL LAB®

## Quality Certifications

Many are the tests that a product has to fulfill before being certified: dimensional characteristics, water pressure resistance, minimum water flows, noise levels, durability of the materials, mechanisms... etc. ISO 9001 certifications shows our compromise with quality in all those phases of

the designing process and production of our taps. Most of our products are in hold of the certifications obtained in very demanding markets such as France (NF), Norway (SINTEF) and Spain (AENOR).



SPAIN



FRANCE



SINGAPORE



NORWAY



ACS  
Attestation  
conformité sanitaire  
FRANCE



THAILAND

## Multibox concealed system



### Multifunctionality:

A concealed unit which is suitable for shower systems, bath/shower mixers or even both.

### Security:

Thanks to this concealed solution we can avoid burning caused by contact with the hot body when using hot water.

### Easy to use:

All controls in a single panel (temperature and flow regulators, diverter...)

### Easy to clean:

Less surface that needs to be cleaned and easier to access.

### Space saving solution:

By using a concealed system you will have bigger space in your shower.

### One single concealed body for several models:

Make your installation and after decide what model you will place in it.

## General features of our products



### New generation of Teka cartridges

- Highly precise temperature control. Highly sensitive and reliable temperature regulation
- Greater handling sensitivity. Gentle cartridge activation (Max. 0.30 Nm)
- Maximum product life reliability. Exceeds 350,000 cycles in standardised endurance trials. Exceeds the top level by 42%
- Complies with the most demanding regulations: EN-817; NF-077; NF-D 18.202; ASME 1 112.18.1
- Noise. In accordance with European regulation EN-817
- Ecological. Temperature and flow caps
- Supports over 50 bars of pressure. The standard pressure in a Spanish home is of 3 bars. Exceeds 200 water hammers of 50 bars, thus doubling the most demanding regulatory requirements.
- Top quality materials. Suppliers holding the following sanitary certifications: ACS; NSF; KTWA; WRAS
- Guaranteed dual quality control. 100% of the cartridges are tested twice, during manufacture and at the end of tap production.
- 5 years guarantee
- Design 100% Teka
- Continuous improvement in the development of the production process, equipped with laboratory devices to perform the tests required by the regulations, including an acoustic test chamber.

\* Not all taps have temperature and flow regulators in the cartridge.



### Sintered ceramic discs

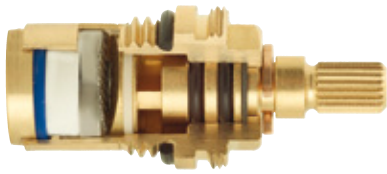
All Teka cartridges use sintered ceramic discs of high resistance. These discs all have porous surfaces which retain the grease longer helping to achieve smoother, gentler movements and therefore prolonging the life of the taps. The operating gear is insulated from water giving therefore continuous lubrication.

### Duration of mechanisms

	Teka Norm	European Norm
<b>Headparts</b>	+ 500.000 cycles	200.000 cycles
<b>Cartridges</b>	+ 175.000 cycles	70.000 cycles
<b>Spouts</b>	+ 200.000 cycles	80.000 cycles
<b>Diverterers</b>	+ 80.000 cycles	30.000 cycles

## General features of our products

### Teka ceramic headparts



Ceramic headparts of 1/2 turn, which provide an easy and smooth water mixture also reducing the consequences of water hammer.

### Thermostatic technology



Our thermostatic mixers fulfill the requirements of sensibility, stability and safety demanded by the European Norm EN 1111. Functioning has been improved with elements such as check valves protected by filters. The anti scalding function of the temperature limiter button at 38°C is reinforced by the design of the mixer, that makes hot water circulate through the rear part of the thermostatic mixer avoiding any involuntary contact with the warmest zone.

The flow regulator is equipped with an ecologic flow limiter which helps to save water and energy. To increase the desired flow quantity you just have to press the green button.

## OTHER FEATURES OF OUR TAPS



### Noise reducers

The bath/shower and shower mixers incorporate noise reducers which substantially limit the noise made by water circulating through the tap.

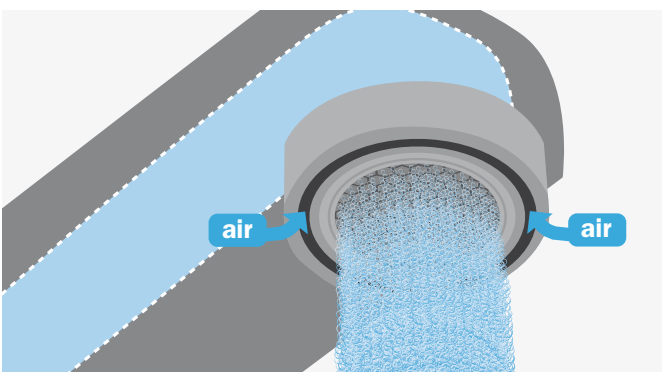
### High quality stainless steel flexible inlet pipes

High quality (3/8" or 1/2") stainless steel flexible inlet pipes with watertight o-rings. They fulfill the requirements of the most demanding Quality Control Authorities in many European countries.



### Quick and easy installation

Quick and easy fitting system (a simple 12mm box spanner is enough in most cases)



### Dynamic stream aerator

- Special anti-scale
- Damage-proof aerator
- Splash-free water stream
- Noise reduction

## General features of our products



### Teka Comfort and temperature limiter

Save the energy used to heat the water with the temperature limiter incorporated in the cartridge.

The Teka thermostatic mixer automatically regulates the temperature selected.



### Teka Water saving

With a standard mixer, the average water flow goes from 12 to 16 liters/minute, depending on the pressure. Thanks to a flow limiter located at the aerator of our ECO mixers, the flow does not surpass 5 liters/minute, regardless of how high the pressure is.



### Teka Scalding prevention

All our thermostatic mixers are fitted with a 38°C temperature stop. This device prevents unwanted temperature variations, thus reducing the risk of burns.



### Teka Super Eco A++

From 12 to 5 litres per minute at 3 bars of pressure.



### Teka ECO cartridge

Our ECO system avoids that waste of energy by starting mixing hot water only after the central position of the handle



### Teka Safe touch system

Some of our models include this extra safety device for additional protection.



### Teka Anti-scale aerator

Lime protection system to extend the aerator life.



### Teka Environment-friendly

Teka Thermostatic Mixers help to save water and energy, thus protecting the environment.



### Teka Child protection

Safety temperature stop at 38° to prevent scalding. We take care of you and your family.



### Teka Noise reducers

The bath/shower and shower mixers incorporate noise reducers which substantially limit the noise made by water circulating through the tap.



### Teka Quick and easy installation

Quick and easy fitting system (a simple 12mm box spanner is enough in most cases)



### Teka DIY installation

Install a shower system without masonry work.



#### **Teka Cold tap**

Cold water tap



#### **Teka Easy cleaning**

Remove the scale build-up, simply press the exit holes with your fingertips.



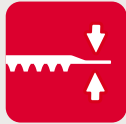
#### **Teka Flow control valve**

The flow control valve enables you to save water every time you use the shower.



#### **Teka telescopic shower system**

All Teka shower systems contain a telescopic rail which allows to adjust the desired height.



#### **Teka Ultra slim shower head**

Stainless steel shower head with 2mm thickness.



#### **Teka Anti-twist**

Avoid any uncomfortable torsion with the flexible hose.



#### **Teka Pull-down shower**

Pull-down kitchen shower for more comfortable use.



#### **Teka Pull-out shower**

Pull-out kitchen shower for more comfortable use.



#### **Teka High resistance spring**

High resistance flexible spring with internal reinforced flexible hose.



#### **Teka Moonlite**

Finishes that glow in the dark



#### **Teka Anti-fingerprint**

Anti-fingerprint coating technology.



#### **Teka Stainless steel mixer**

Mixers produced in stainless steel AISI 304.







# THERMOSTATIC MIXERS & SHOWER COLLECTION

---

Thermostatic mixer  
PAGE 22

Thermostatic Shower Systems  
PAGE 25

Dual control /  
Single lever shower systems  
PAGE 29

Universe shower systems  
PAGE 33

Concealed thermostatic mixers  
PAGE 37

Teka spa  
PAGE 41

Hand showers  
PAGE 43

Shower heads  
PAGE 46

Shower sets  
PAGE 48

Sliding bars  
PAGE 48

Shower accessories  
PAGE 49

# New **Teka** thermostatic mixers

## Safety, comfort and precise control.



### Safety

- If the cold water supply is cut off, the Teka **thermostatic mixer immediately stops the water** supply to the mixer in order to avoid any risk of scalding.
- **Security stop device at 38°C** to prevent any accidental or unintentional temperature increase.
- **Safe Touch System:** Removes scalding risk by accidentally touching the outer part of the thermostatic mixer. Especially useful for children and the elderly.



### Comfort

- It prevents temperature fluctuations while you are taking a shower. The Teka thermostatic mixer automatically regulates the temperature selected.



### Precise control

- Choose the desired temperature, reach it in a very short time and maintain stable flow temperature throughout your shower.

# Thermostatic mixer, Dual control mixer and Single lever mixer

## Thermostatic mixer



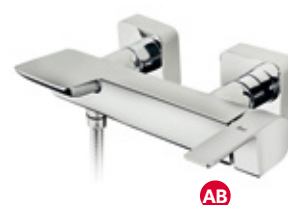
- A** Flow water control handle.
  - B** Select the desired water temperature with the precise control device of the mixer.
- Temperature Safety stop at 38° C which avoids scalding and facilitates the water temperature selection.

## Dual control mixer



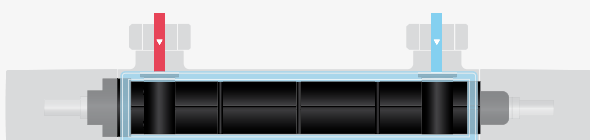
- A** Flow water control handle.
- B** Temperature control cartridge.

## Single lever mixer



- AB** Temperature and flow water control only with 1 handle.

Air chamber / Safe Touch body



Water flow thermostatic mixer



### Safe Touch System

Internal plastic device that creates an internal pocket of air preventing high temperatures from being transferred to the outer metal casing.

## Teka Thermostatic mixers

Our thermostatic mixers meet EN 1111 European Standard sensitivity, stability and safety requirements.



### What is a thermostatic mixer?

It is a water mixer that automatically keeps the water temperature constant within the selected range even in the event of temperature or flow fluctuations.

### How does it work?

The Teka Thermostatic mixer automatically mixes hot and cold water. All you have to do is select the desired temperature with the temperature regulator, which will be reached by the water flow in just a few seconds and kept constant throughout your shower.

### What are the advantages of this mixer?

The Teka Thermostatic Mixer ensures maximum user comfort and safety, as well as saving 50% energy and water consumption.

## TEKA THERMOSTATIC FEATURES



### Scalding prevention

All our thermostatic mixers are fitted with a 38°C temperature stop. This device prevents unwanted temperature variations, thus reducing the risk of burns.



### Child protection

Safety temperature stop at 38° to prevent scalding. We take care of you and your family.



### Safe touch system

Some of our models include this extra safety device for additional protection.

# Teka Thermostatic mixers



## Anti-scalding functions

The temperature safety stop at 38°C prevents scalding and ensures water temperature regulation. In addition, the outer surface of the hot water flow mixer component protects against accidental contact.



## Flow regulation

The 3/4 turn ceramic headpart and the ECO button combine to help save water usage without affecting comfort.



## Water saving

All our Thermostatic mixers are fitted with a flow limit button that helps reduce water consumption.



## Environment-friendly

Teka Thermostatic Mixers help to save water and energy, thus protecting the environment.



## Precise control

Choose the desired temperature, reach it in a very short time and maintain stable flow temperature throughout your shower.

# Thermostatic mixers

· NEW ·



## Manacor Thermostatic Shower Mixer

- SAFE TOUCH system
- With safety temperature stop at 38° C
- Check valves protected by filters
- Without shower set



· NEW ·



## Soller Thermostatic Shower mixer

- SAFE TOUCH system
- With safety temperature stop at 38° C
- Check valves protected by filters
- Without shower set



## Formentera Thermostatic bath/shower mixer

- ECO button
- SAFE TOUCH system
- Automatic diverter in water outlet handle
- handle
- With safety temperature stop at 38°
- Check valves protected by filters
- Without shower set
- Anti-scale aerator



## Formentera Thermostatic shower mixer

- ECO button
- SAFE TOUCH system
- With safety temperature stop at 38°
- Check valves protected by filters
- Without shower set



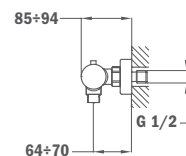
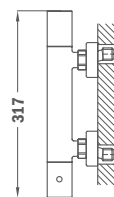
## Alaior XL Thermostatic Bath shower mixer

- ECO button
- SAFE TOUCH system
- Automatic diverter in water outlet handle
- With safety temperature stop at 38° C
- Check valves protected by filters
- Without shower set
- Anti-scale aerator

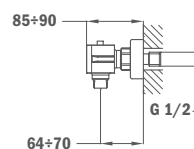
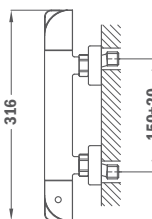


REF.

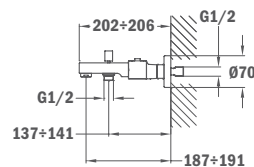
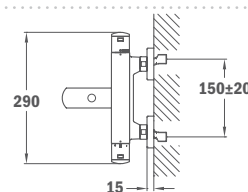
84.201.02.00



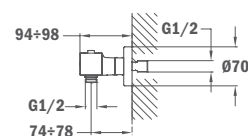
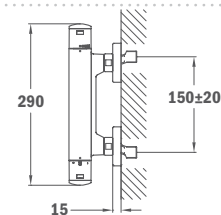
85.201.02.00



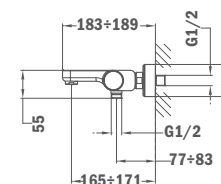
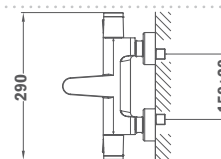
62.101.02.00



62.201.02.00



22.101.02.00



# Thermostatic mixers

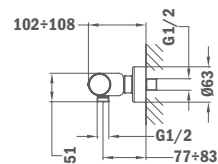
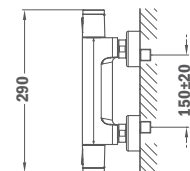


## Alaior XL Thermostatic shower mixer

- ECO button
- SAFE TOUCH system
- With safety temperature stop at 38° C
- Check valves protected by filters
- Without shower set

REF.

22.201.02.00



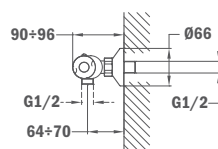
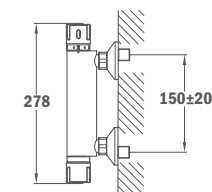
· NEW ·



## Nexos Thermostatic Shower Mixer

- ECO button
- With safety temperature stop at 38° C
- Check valves protected by filters
- Without shower set

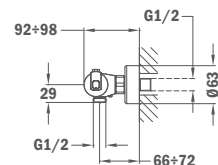
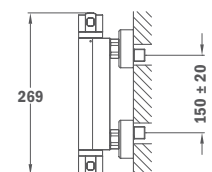
66.201.02.00



## MT Plus Thermostatic shower mixer

- ECO button
- With safety temperature stop at 38° C
- Check valves protected by filters
- Without shower set

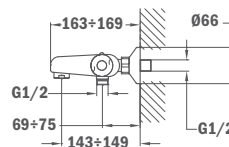
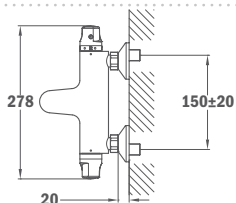
46.291.02.00



## Inca Pro Thermostatic Bath shower mixer

- ECO button
- Automatic diverter in water outlet handle
- With safety temperature stop at 38° C
- Check valves protected by filters
- Without shower set
- Anti-scale aerator

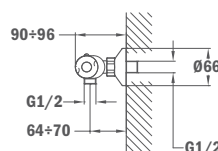
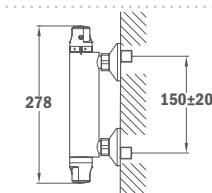
27.101.02.00



## Inca Pro Thermostatic shower mixer

- ECO button
- With safety temperature stop at 38° C
- Check valves protected by filters
- Without shower set

27.201.02.00

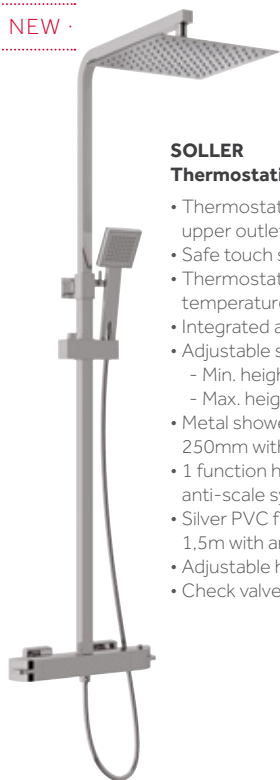






# Thermostatic Shower Systems

· NEW ·



## SOLLER Thermostatic Shower System

- Thermostatic shower mixer with upper outlet
- Safe touch system
- Thermostatic mixer with safety temperature stop at 38°C
- Integrated automatic diverter
- Adjustable square telescopic rail:
  - Min. height: 730mm
  - Max. height: 1310mm
- Metal shower head ultraslim 250 x 250mm with anti-scale system
- 1 function hand shower 80mm with anti-scale system
- Silver PVC flexible shower hose 1,5m with anti-twist system
- Adjustable hand shower holder
- Check valves protected by filters

REF.

85.237.02.00

· NEW ·



## SOLLER Thermostatic Shower System

- Thermostatic shower mixer with upper outlet
- Safe touch system
- Thermostatic mixer with safety temperature stop at 38°C
- Integrated automatic diverter
- Adjustable round telescopic rail:
  - Min. height: 730mm
  - Max. height: 1310mm
- ABS shower head 200 x 200mm with anti-scale system
- 1 function hand shower 80mm with anti-scale system
- Silver PVC flexible shower hose 1,5m with anti-twist system
- Adjustable hand shower holder
- Check valves protected by filters

REF.

85.238.02.00



62.238.02.00

· NEW ·



## FORMENTERA Thermostatic Shower System

- Thermostatic shower mixer with upper outlet
- Safe touch system
- Thermostatic mixer with safety temperature stop at 38°C
- Integrated automatic diverter
- Adjustable square telescopic rail:
  - Min height: 935mm
  - Max height: 1285mm
- Shower head 279 x 279mm with anti-scale system
- 1 function Formentera hand shower with anti-scale system
- Silver PVC flexible shower hose 1,5m with anti-twist system
- Adjustable hand shower holder
- Check valves protected by filters



62.238.02.00

· NEW ·



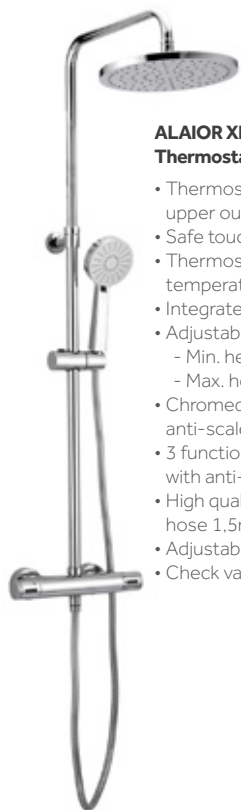
## NEXOS Thermostatic Shower System

- Thermostatic shower mixer with upper outlet,
- Thermostatic mixer with safety temperature stop at 38°C
- Integrated automatic diverter
- Adjustable round telescopic rail:
  - Min. height: 800 mm
  - Max. height: 1300 mm
- Metal shower head ultraslim 300mm with anti-scale system
- Ice hand shower with anti-scale system:
  - 3 functions
  - Ø 100 mm
- Silver PVC flexible shower hose 1,5m with anti-twist system
- Adjustable hand shower holder
- Check valves protected by filters



66.238.02.00

# Thermostatic Shower Systems



## ALAIOR XL Thermostatic Shower System

- Thermostatic Shower mixer with upper outlet
- Safe touch system
- Thermostatic mixer with safety temperature stop at 38°C
- Integrated automatic diverter
- Adjustable round telescopic rail:
  - Min. height: 800mm
  - Max. height: 1300mm
- Chromed shower head 250mm with anti-scale system
- 3 functions hand shower 100mm with anti-scale system
- High quality metal flexible shower hose 1,5m
- Adjustable hand shower holder
- Check valves protected by filters



· NEW ·



## MANACOR PLUS Thermostatic Shower System

- Thermostatic shower mixer with upper outlet
- Safe touch system
- Thermostatic mixer with safety temperature stop at 38°C
- Integrated automatic diverter
- Adjustable round telescopic rail:
  - Min. height: 730mm
  - Max. height: 1310mm
- Metal ultraslim shower head with anti-scale system:
  - Ø250mm
  - 2mm thickness
- 3 functions hand shower with anti-scale system
- Metal PVC flexible shower hose 1,5m with anti-twist system
- Adjustable hand shower holder
- Check valves protected by filters



REF.

22.238.02.00

· NEW ·



## MANACOR Thermostatic Shower System

- Thermostatic shower mixer with upper outlet
- Safe touch system
- Thermostatic mixer with safety temperature stop at 38°C
- Integrated automatic diverter
- Adjustable round telescopic rail:
  - Min. height: 730 mm
  - Max. height: 1310 mm
- Metal ultraslim shower head with anti-scale system:
  - Ø200mm
  - 2mm thickness
- 3 functions hand shower with anti-scale system
- High quality metal flexible shower hose 1,5m
- Adjustable hand shower holder
- Check valves protected by filters



REF.

84.238.02.00

84.237.02.00



## MT PLUS Thermostatic Shower System

- Thermostatic shower mixer with upper outlet,
- Thermostatic mixer with safety temperature stop at 38°C
- Integrated automatic diverter
- Adjustable round telescopic rail:
  - Min. height: 800mm
  - Max. height: 1300mm
- Disk II shower head 200mm with anti-scale system
- Stick hand shower with anti-scale system
- High quality metal flexible shower hose 1,5m
- Adjustable hand shower holder
- Check valves protected by filters



46.238.02.00

# Thermostatic Shower Systems



## INCA PRO thermostatic Shower System

- Thermostatic shower mixer with upper outlet
- Thermostatic mixer with safety temperature stop at 38°C
- Integrated automatic diverter
- Adjustable round telescopic rail:
  - Min. height: 730mm
  - Max. height: 1310mm
- Metal ultraslim shower head with anti-scale system:
  - Ø 250mm
  - 2mm thickness
- Hand shower with anti-scale system
- Silver PVC flexible shower hose 1,5m with anti-twist system
- Adjustable hand shower holder
- Check valves protected by filters

REF.

27.238.02.00

· NEW ·



## NEXOS thermostatic shower set

- Thermostatic mixer with safety temperature stop at 38°C
- Sliding round bar Ø 25mm, 60cm
- High quality PVC metal flexible shower hose 1,5m with anti-twist system
- Ice hand shower with anti-scale system:
  - 3 functions
  - Ø 100mm
- Adjustable hand shower holder
- Check valves protected by filters

REF.

66.202.02.20



· NEW ·



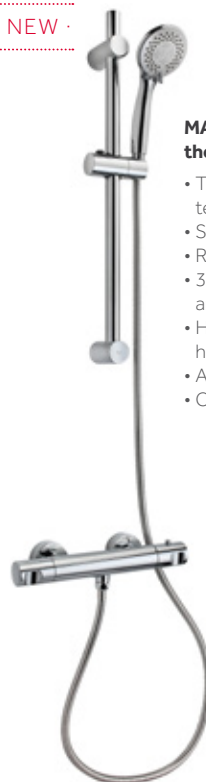
## SOLLER thermostatic Shower Set

- Thermostatic mixer with safety temperature stop at 38°C
- Safe touch system
- Square sliding bar 755mm
- 1 function hand shower 80mm
- Silver PVC flexible shower hose 1,75m
- Adjustable hand shower holder
- Check valves protected by filters

85.202.02.20



· NEW ·



## MANACOR thermostatic shower set

- Thermostatic mixer with safety temperature stop at 38°C
- Safe touch system
- Round sliding bar Ø 25mm, 60cm
- 3 functions hand shower with anti-scale system
- High quality metal flexible shower hose 1,75m
- Adjustable hand shower holder
- Check valves protected by filters

84.202.02.20





# Dual Control / Single lever shower systems

· NEW ·



## SOLLER Dual Control Shower System

- Dual Control mixer with upper outlet
- Safe touch system
- Integrated automatic diverter
- Adjustable round telescopic rail:
  - Min. height: 800mm
  - Max. height: 1300mm
- Shower head 200 x 200mm with anti-scale system
- Hand shower with anti-scale system
- Silver PVC flexible shower hose 1,5m with anti-twist system
- Adjustable hand shower holder
- Check valves protected by filters

REF.

85.278.02.00

· NEW ·



## MANACOR Dual Control Shower System

- Dual Control mixer with upper outlet
- Safe touch system
- Integrated automatic diverter
- Adjustable round telescopic rail:
  - Min. height: 730mm
  - Max. height: 1310mm
- Metal ultraslim shower head with anti-scale system:
  - Ø200mm
  - 2mm thickness
- 3 functions hand shower with anti-scale system
- High quality metal flexible shower hose 1,5m
- Adjustable hand shower holder
- Check valves protected by filters

REF.

84.278.02.00



· NEW ·



## MANACOR PLUS Dual Control Shower System

- Dual Control mixer with upper outlet
- Safe touch system
- Integrated automatic diverter
- Adjustable round telescopic rail:
  - Min. height: 730mm
  - Max. height: 1310mm
- Metal ultraslim shower head with anti-scale system:
  - Ø250mm
  - 2mm thickness
- 3 functions hand shower with anti-scale system
- PVC flexible shower hose 1,5m with anti-twist system
- Adjustable hand shower holder
- Check valves protected by filters

84.277.02.00



62.298.02.00



## FORMENTERA Single Lever Shower System

- Shower mixer with upper outlet
- Integrated automatic diverter
- Adjustable square telescopic rail:
  - Min. height: 730mm
  - Max. height: 1310mm
- XL square headshower with anti-scale system, 279 x 279mm
- High quality metal flexible shower hose 1,5m
- Formentera hand shower with anti-scale system
- New square flanges, for a more integrated design
- Adjustable hand shower holder
- Check valves protected by filters



# Single lever shower systems

· NEW ·



## ITACA Single lever shower system

- Shower mixer with upper outlet
- Automatic diverter
- Adjustable round telescopic rail:
  - Min. height: 800mm
  - Max. height: 1300mm
- Shower head Ø 250mm with anti-scale system
- 3 functions hand shower with anti-scale system
- Silver PVC flexible shower hose 1,5m with anti-twist system
- Adjustable hand shower holder

REF.

67.298.02.00



## ALAIOR Shower System

- Shower mixer with upper outlet
- Automatic diverter
- Adjustable round telescopic rail:
  - Min. height: 800mm
  - Max. height: 1300mm
- Disk II shower head 200mm with anti-scale system
- Stick hand shower with anti-scale system
- High quality metal flexible shower hose 1,5m
- Adjustable hand shower holder

REF.

55.298.02.00



## ALAIOR XL Shower System

- Shower mixer with upper outlet
- Integrated automatic diverter
- Shower head 250mm with anti-scale system Ice hand shower with anti-scale system:
  - Ø 100mm
  - 3 functions
- High quality metal flexible shower hose 1,5m
- Adjustable hand shower holder

22.298.02.00

· NEW ·



## MANACOR Bath-shower system

- Bath-shower mixer with upper outlet
- Automatic diverter
- Adjustable round telescopic rail:
  - Min. height: 960mm
  - Max. height: 1338mm
- Shower head Ø 200mm with anti-scale system
- 3 functions hand shower with anti-scale system
- High quality metal flexible shower hose 1,5m
- Adjustable hand shower holder

84.198.12.00



# Single lever shower systems

· NEW ·



## MANACOR Shower System

- Shower mixer with upper outlet
- Automatic diverter
- Adjustable round telescopic rail:
  - Min. height: 960mm
  - Max. height: 1338mm
- Shower head Ø 200mm with anti-scale system
- 3 functions hand shower with anti-scale system
- High quality metal flexible shower hose 1,5m
- Adjustable hand shower holder



REF.

84.298.12.00



## MT PLUS Bath-shower system

- Shower mixer with upper outlet
- Automatic diverter
- Adjustable round telescopic rail:
  - Min. height: 800mm
  - Max. height: 1300mm
- Disk II shower head 200mm with anti-scale system
- 3 functions Stylo Sport hand shower with anti-scale system
- High quality metal flexible shower hose 1,5m
- Adjustable hand shower holder



REF.

46.298.02.00





# Universe shower systems



**Comfortable**

Very smooth ceramic diverter to shift the water flow towards the shower head or hand shower.

**Easy installation**

Quick and easy installation, without masonry work.

**Convenient**

Can be connected to any exposed mixer through a special flexible hose provided with the product.

**Personal**

You can customize your Universe system with a wide range of shower heads or handles to suit your own personal style.

**Modern**

Innovative shapes which suit the latest tendencies in modern design.

**Economical**

It may be installed on any standard bath/shower or shower mixer. No need to change your taps.



Very smooth ceramic diverter



**SPRAY FUNCTIONS**



RAIN



MASSAGE



RAIN + MASSAGE

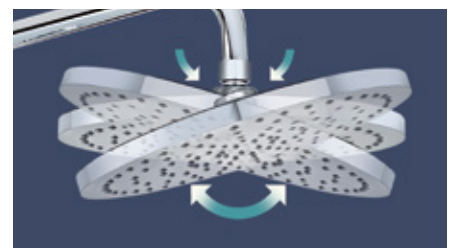


SOFT



RAIN + SOFT

**Swivel Ball-joint**



Swivel ball-joint incorporated in all the shower heads.



**Optional installation of the automatic flow control valve**

If your water pressure is too high, we recommend you install the automatic flow control valve.

This automatic flow control valve enables you to save water every time you use the shower.



**Easy installation without masonry work**

Now you can install a Shower System without uncomfortable masonry works.



**Anti-scale & easy cleaning**

Maintenance: to remove the scale build-up, simply press the exit holes with your fingertips.



# Universe shower systems



## UNIVERSE PLUS Shower System

- Universal installation system on any non concealed bath shower and shower mixer
- Ceramic diverter
- Anti-scale shower head
- Anti-scale hand shower
- Connecting metal flexible hose (80 cm) between mixer and shower system
- Reinforced metal flexible hose 150cm
- **Attention: mixer not included**

REF.

79.002.68.00



## UNIVERSE CUADRO PRO Shower System

- Universal installation system on any non concealed bath shower and shower mixer
- Ceramic diverter
- Adjustable telescopic rail:
  - Min. height: 990mm
  - Max. height: 1.180mm
- Anti-scale shower head 240 x 360mm
- Anti-scale hand shower
- Adjustable hand shower holder
- Connecting metal flexible hose (80 cm) between mixer and shower system
- Reinforced metal flexible hose 150cm
- Minimum recommended pressure: 1,5 bar
- **Attention: mixer not included**

REF.

79.002.74.00



## UNIVERSE CUADRO Shower System

- Universal installation system on any non concealed bath shower and shower mixer
- Ceramic diverter
- New anti-scale shower head 20 X 20cm
- Anti-scale hand shower
- Adjustable hand shower holder
- Reinforced metal flexible hose 150cm
- Connecting metal flexible hose (80 cm) between mixer and shower system
- **Attention: mixer not included**

79.002.64



## UNIVERSE PRO Shower System

- Universal installation system on any non concealed bath shower and shower mixer
- Ceramic diverter
- Adjustable telescopic rail:
  - Min. height: 800mm
  - Max. height: 1300mm
- Ice L shower head 250mm
- Ice Hand shower 3 functions
- Adjustable hand shower holder
- Reinforced metal flexible hose 150cm
- Connecting metal flexible hose (80 cm) between mixer and shower system
- Minimum recommended pressure: 1,5 bar
- **Attention: mixer not included**

79.002.72.00



# Universe shower systems



## UNIVERSE Shower System (complete)

- Universal installation system on any non concealed bath shower and shower mixer
- Ceramic diverter
- Disk II shower head
- Stick hand shower
- Adjustable hand shower holder
- Reinforced metal flexible hose 1,50m
- Connecting metal flexible hose (80 cm) between mixer and shower system
- **Attention: mixer not included**

REF.

79.002.54



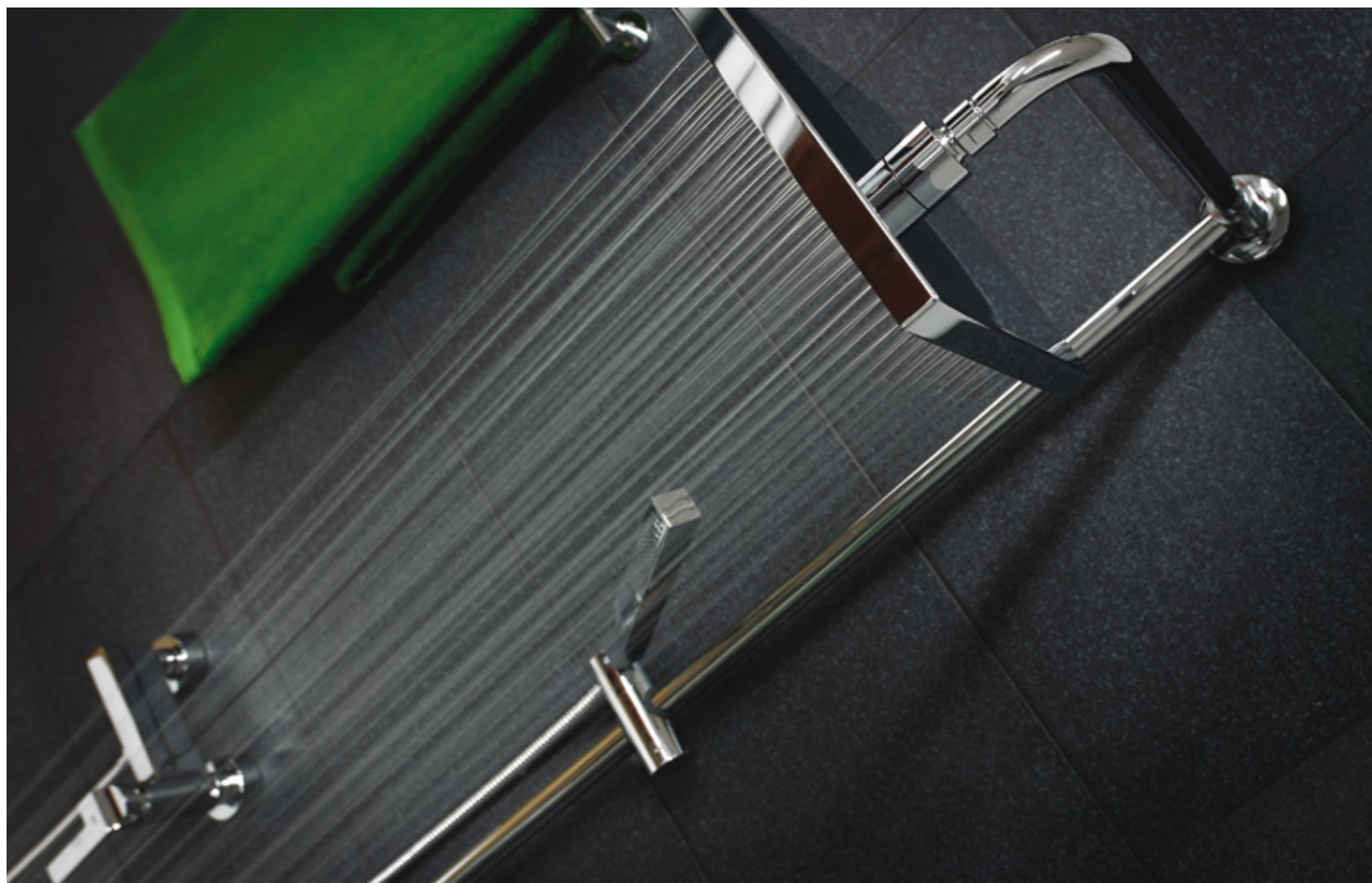
## UNIVERSE Shower System (without accesories)

- Universal installation system on any non concealed bath shower and shower mixer
- Ceramic diverter
- Sliding Shower bar
- Adjustable hand shower holder
- Connecting metal flexible hose (80 cm) between mixer and shower system
- Flexible hose for hand shower not included
- **Attention: mixer not included**

You can customize the Universe System with any shower head, hand shower and flexible shower hose from our catalogue

REF.

79.001.53





## CONCEALED THERMOSTATIC SYSTEMS

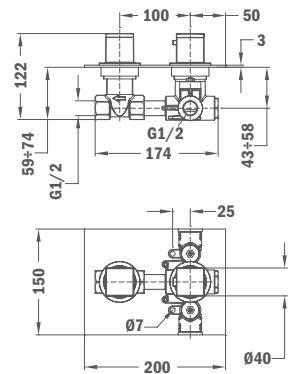


### Built in Thermostatic 1 way shower mixer

- SAFE TOUCH system
- 1 way diverter
- With safety temperature stop at 38° C
- Check valves protected by filters
- Without shower set

REF.

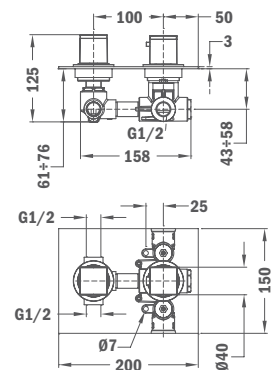
78.021.02.00



### Built in Thermostatic 2 Way shower mixer

- SAFE TOUCH system
- 2 way diverter
- With safety temperature stop at 38° C
- Check valves protected by filters
- Without shower set

78.022.02.00



# Concealed thermostatic systems

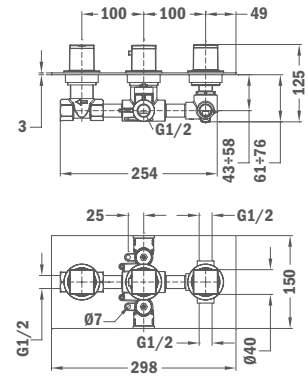


## Built in Thermostatic 3 Way shower mixer

- SAFE TOUCH system
- 3 way diverter
- With safety temperature stop at 38° C
- Check valves protected by filters
- Without shower set

REF.

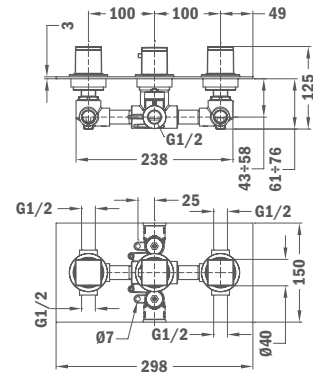
78.023.02.00



## Built in Thermostatic 4 way shower mixer

- SAFE TOUCH system
- 4 way diverter
- With safety temperature stop at 38° C
- Check valves protected by filters
- Without shower set

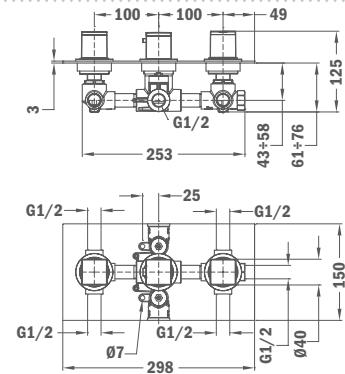
78.024.02.00



## Built in Thermostatic 5 way shower mixer

- SAFE TOUCH system
- 5 way diverter
- With safety temperature stop at 38° C
- Check valves protected by filters
- Without shower set

78.025.02.00



# Single lever concealed mixer

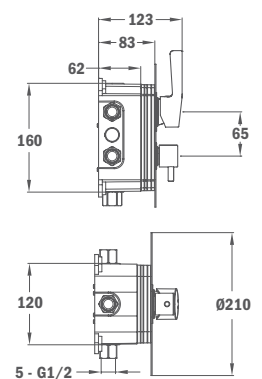


## Concealed 2/3 way single lever mixer

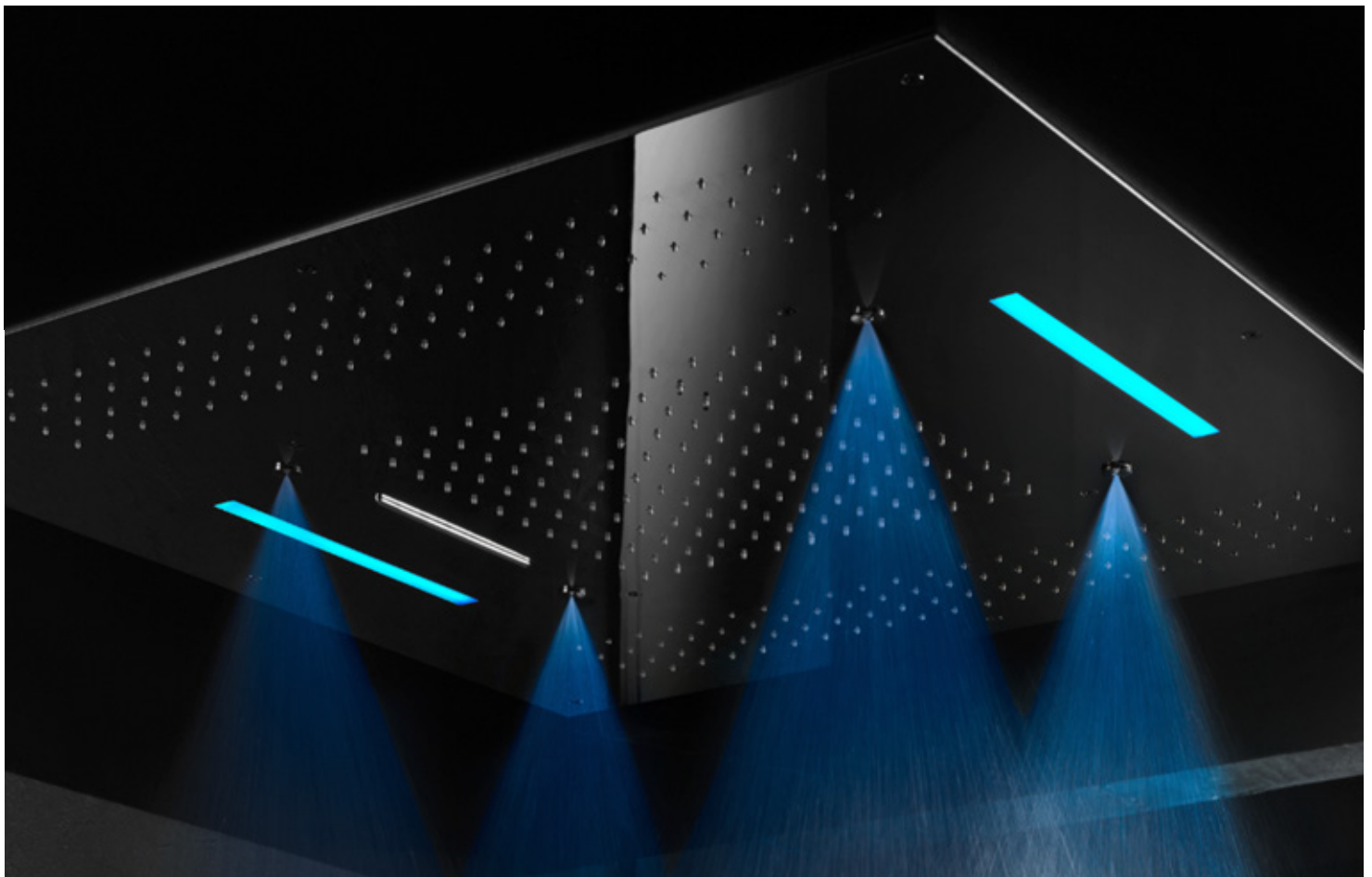
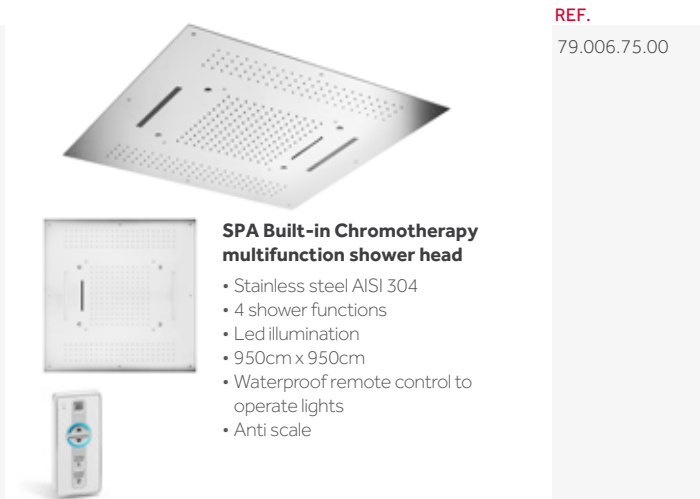
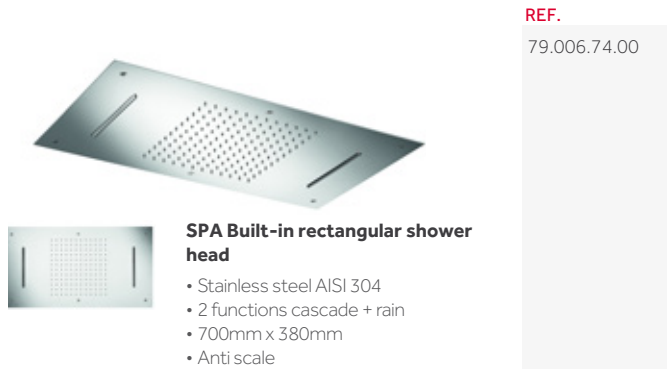
- 1/2" inlet and outlet connections
- Complete set

REF.

78.013.02.00



# Concealed mixers shower accessories







# Teka Spa

REF.

79.006.66.00



ø 250mm

**SPA1 250 Ultra slim shower head**

- Stainless Steel AISI 304
- Anti-scale
- Ultra slim
- 250mm
- Extra flow



79.006.67.00



ø 300mm

**SPA1 300 Ultra slim shower head**

- Stainless Steel AISI 304
- Anti-scale
- Ultra slim
- 300mm
- Extra flow



79.006.68.00



ø 400mm

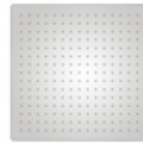
**SPA1 400 Ultra slim shower head**

- Stainless Steel AISI 304
- Anti-scale
- Ultra slim
- 400mm
- Extra flow



REF.

79.006.69.00



250 X 250mm

**SPA2 250 Ultra slim shower head**

- Stainless Steel AISI 304
- Anti-scale
- Ultra slim
- 250mm
- Extra flow



79.006.70.00



300 x 300mm

**SPA2 300 Ultra slim shower head**

- Stainless Steel AISI 304
- Anti-scale
- Ultra slim
- 300mm
- Extra flow



79.006.71.00










400 x 400mm

**SPA2 400 Ultra slim shower head**

- Stainless Steel AISI 304
- Anti-scale
- Ultra slim
- 400mm
- Extra flow



## Teka Spa

 <p><b>SPA2 built-in body shower jet</b></p> <ul style="list-style-type: none"> <li>• 1 Function (JET)</li> <li>• Square design</li> <li>• Orientable</li> <li>• Brass &amp; ABS</li> <li>• 125mm x 125mm</li> </ul>	<p><b>REF.</b></p> <p>79.011.00.01</p>	 <p><b>SPA1 built-in body shower jet</b></p> <ul style="list-style-type: none"> <li>• 1 function (JET)</li> <li>• Round design</li> <li>• Orientable</li> <li>• Brass &amp; ABS</li> <li>• ø 130mm</li> </ul>	<p><b>REF.</b></p> <p>79.011.00.03</p>
 <p><b>SPA2 built-in body shower jet</b></p> <ul style="list-style-type: none"> <li>• 1 Function (SPIN)</li> <li>• Square design</li> <li>• 80mm x 80mm</li> </ul>	<p>79.011.00.06</p>	 <p><b>SPA1 built-in body shower jet</b></p> <ul style="list-style-type: none"> <li>• 1 Function (SPIN)</li> <li>• Round design</li> <li>• 85mm</li> </ul>	<p>79.011.00.05</p>
 <p><b>Square body jet</b></p> <ul style="list-style-type: none"> <li>• Orientable</li> <li>• 1 function</li> <li>• Brass</li> <li>• 42mm x 42mm</li> <li>• Anti-scale</li> </ul>	<p>79.011.00.02</p>	 <p><b>Round body jet</b></p> <ul style="list-style-type: none"> <li>• Orientable.</li> <li>• 1 Function</li> <li>• Brass</li> <li>• 50mm</li> <li>• Anti-scale</li> </ul>	<p>79.011.00.04</p>
 <p><b>Cover plate for 1 way concealed mixer</b></p> <ul style="list-style-type: none"> <li>• ø 200mm</li> </ul> <p><b>DITTO, for 2 ways concealed mixer</b></p>	<p>R761930</p> <p>R761931</p>		

# Hand showers



Extra slim  
Ø 130mm.

- Duo Air Hand shower**
- Aerated spray
  - 1 function:
    - Bubbly spray
  - Anti-scale
  - Colour: White + Chrome
  - Ø 130mm



REF.  
79.003.69.00



Ø 100mm

- ICE Hand shower**
- 3 functions:
    - Rain
    - Massage
    - Soft
  - Anti-scale



REF.  
79.003.70.00



- Cuadro Duo Hand shower**
- 1 function
  - Anti-scale
  - Color combination: Chrome + Black



79.003.68.00



- Formentera Hand shower**
- 1 function
  - Anti-scale



79.003.80.00



- Formentera Shower kit with square water outlet & holder**
- Formentera hand shower
  - Brass water outlet with holder.
  - Flexible hose 150cm



79.005.54.00



- Formentera Shower kit**
- Formentera hand shower
  - Formentera adjustable holder
  - Flexible hose 150cm



79.005.53.00

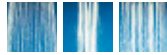
# Hand showers

REF.

79.005.51.00

**Stylo Sport Shower Kit**

- Hand shower
- Shower holder for hand shower
- Reinforced metal flexible hose 1,75m



79.003.65.00

**Stylo Sport Hand shower**

- 3 functions:
  - Rain
  - Massage
  - Soft
- Anti-scale



79.003.66.00

**Calm Sport Hand shower**

- 1 function:
  - Rain
- Anti-scale

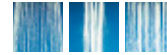


REF.

79.003.52

**Stylo Hand shower**

- 3 functions:
  - Rain
  - Massage
  - Soft
- Anti-scale



79.003.53

**Calm Hand shower**

- 1 function:
  - Rain
- Anti-scale



79.003.55

**Stick Hand shower**

- 1 function:
  - Rain
- Anti-scale



# Hand showers



**Avant Shower kit**

- AVANT 3 function hand shower
- Adjustable shower holder
- Brass flexible hose 1,75m

REF.  
R13.186.00



**DUCAL Shower kit**

- DUCAL hand shower 1 function
- Adjustable shower holder
- Metal flexible hose 1,75m

REF.  
R13.187.00



**BASIC Shower kit**

- BASIC hand shower
- Adjustable shower holder
- Metal flexible hose 1,75m

R13.184.00



**CUADRO Shower kit**

- CUADRO hand shower
- Adjustable shower holder
- Brass flexible hose 1,75m

R13.194.00



**Formentera Shower holder**

- Adjustable

79.004.54.00



**Stylo Shower holder**

- ø 45mm
- Adjustable

79.004.51

# Shower heads



300mm

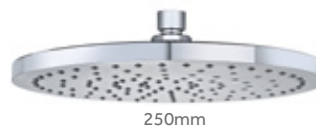
**Ice XL Shower head**

- Chromed Brass
- XL Size 300 x 300
- Anti-scale
- Swivel ball-joint



REF.

79.006.60.00



250mm

**ICE L 250 Shower head**

- Fully chromed
- L Size ø 250
- Anti-scale
- Swivel ball-joint



REF.

79.006.63.00



**Formentera Shower head**

- 279 x 279mm
- Anti-scale
- Swivel ball-joint



79.006.65.00



300mm

**Cuadro XL Shower head**

- Chromed Brass
- XL Size 300 x 300
- Anti-scale
- Swivel ball-joint



79.006.59.00



**Cuadro Duo Shower head**

- 210 x 300mm
- Anti-scale system
- Colour: Black + Chrome
- Swivel ball-joint



79.006.62.00



**Cuadro Shower head**

- Chromed Brass
- 200 x 200mm.
- Anti-scale
- Swivel ball-joint



79.006.57

# Shower heads



## DISK II Shower head

- Ø 200mm
- Anti-scale
- Swivel ball-joint



REF.

79.006.64.00



## Ocean Shower head

- 1 function:
  - Rain
- ø 65mm.
- Anti-scale
- Swivel ball-joint



REF.

79.006.51



## Shower sets



**STYLO SPORT  
Shower set**

- Baltic sliding bar  
ø 25mm, 60cm
- Stylo Sport hand shower 3  
functions
- Reinforced metal flexible hose  
1.75m
- Adjustable shower holder



REF.  
79.002.66.00



**BALTIC SPORT  
Shower set**

- Baltic sliding bar  
Ø 25mm, 60cm
- Calm Sport hand shower 1  
function
- Reinforced metal flexible hose  
1.75m
- Adjustable shower holder



REF.  
79.002.67.00

## Sliding Bars



**FORMENTERA Sliding bar**

- Orientable sliding bar.
- 71.8cm
- Adjustable shower holder.

REF.  
79.001.63.00



**BALTIC Sliding bar**

- ø25mm
- 60cm
- Soap Dish
- Adjustable shower holder
- Adjustable upper wall bracket  
makes it perfect for renovation  
works

REF.  
79.001.50

**BALTIC XL Sliding bar**

- ø25mm
- 95cm
- Soap Dish
- Adjustable shower holder
- Adjustable upper wall bracket  
makes it perfect for renovation  
works

79.001.61.00



**INDIC Sliding bar**

- ø18mm
- 70cm
- Adjustable shower holder

79.001.51




# Shower Accessories

**REF.** 79.007.55.00

**Brass shower arm FORMENTERA 300**

- 300mm
- 25 x 25mm
- Thread 1/2"

**DITTO, 400mm** 79.007.56.00



**REF.** 79.007.57.00

**Brass shower arm ALAIOR 300**


- 300mm
- ø 22mm
- Thread 1/2"

**DITTO, 400mm** 79.007.58.00




**Vertical Brass shower arm FORMENTERA V** 79.007.59.00

- 200mm
- Thread 1/2"



**Vertical Brass shower arm ALAIOR V** 79.007.60.00

- 200mm
- Thread 1/2"





**Colour plate for 2 ways concealed mixer (White)\*** R761926W

- ø 160mm
- Includes rubber rings
- Mixer not included

**Other available colors:**

- Black
- Moonlite blue
- Moonlite Red
- Moonlite green

R761926N  
R761926Z  
R761926R  
R761926V



**Colour plate for 1 way concealed mixer (White)\*** R761924W

- ø 160mm
- Includes rubber rings
- Mixer not included

**Other available colors:**

- Black
- Moonlite blue
- Moonlite Red
- Moonlite green

R761924N  
R761924Z  
R761924R  
R761924V

**Colour plate for 2 ways concealed mixer (White)\*** R761928W

- 205 x 160mm
- Includes rubber rings
- Mixer not included

**Other available colors:**

- Black
- Moonlite blue
- Moonlite Red
- Moonlite green

R761928N  
R761928Z  
R761928R  
R761928V






**Colour plate for 1 way concealed mixer (White)\*** R761929W

- 205 x 160mm
- Includes rubber rings
- Mixer not included

**Other available colors:**

- Black
- Moonlite blue
- Moonlite Red
- Moonlite green

R761929N  
R761929Z  
R761929R  
R761929V

\* All plates are compatible with type 171, 241 and Multibox concealed inner parts. IMPORTANT NOTICE: 10.197.00 not compatible.

# Shower Accessories



### Bidet Hand Shower set

- Hand shower with stop function
- Reinforced metal flexible shower hose with brass connections 1,20m
- Shower holder for hand shower

REF.

79.005.50



### Bidet Hand Shower set

- Hand shower with stop function
- Reinforced metal flexible shower hose with brass connections 1,20m
- Shower holder for hand shower

REF.

79.005.52.00

### Square water outlet with holder

- Brass
- 1/2" water outlet connection
- Shower holder

79.010.53.00



### Round water outlet with holder

- Brass
- 1/2" water outlet connection
- Shower holder

79.010.52.00



### Square water outlet

- Brass
- 1/2" water outlet connection

79.010.55.00



### Round water outlet

- Brass
- 1/2" water outlet connection

79.010.56.00



### Metal flexible shower hose 1,75m

79.009.52

### DITTO, 1,5m

79.009.53



### Brass water outlet

- Brass
- 1/2" water outlet connection

79.010.50









## BATH TAPS COLLECTION

---

Soller  
PAGE 55

Formentera  
PAGE 61

Nexos  
PAGE 73

1820 Capricho  
PAGE 78

Itaca  
PAGE 80

Alaior  
PAGE 86

Ares  
PAGE 90

Calvia  
PAGE 92

Manacor  
PAGE 95

Mt Plus  
PAGE 104

Inca Pro  
PAGE 108

Inca  
PAGE 110



VIDEO



# SOLLER

· NEW ·



· NEW ·

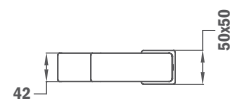
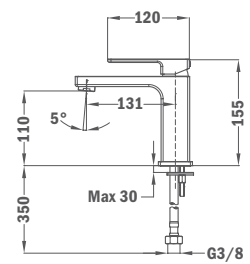


## Washbasin mixer

- Without pop-up waste
- Anti-scale aerator with water flow limiter 5 l/min
- Saves up to 60% water
- 3/8" flexible inlet pipes
- Adjustable water stream directly at the aerator

REF.

85.346.12.50



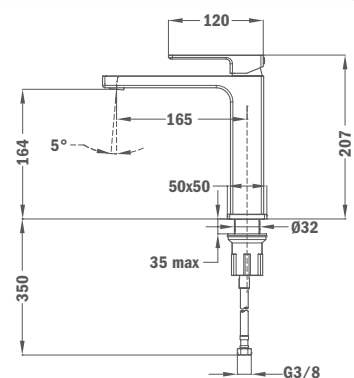
· NEW ·



## Washbasin mixer L size

- Without pop-up waste
- Anti-scale aerator with water flow limiter 5 l/min
- Saves up to 60% water
- 3/8" flexible inlet pipes
- Adjustable water stream directly at the aerator
- Easy quick installation

85.386.12.50



## SOLLER

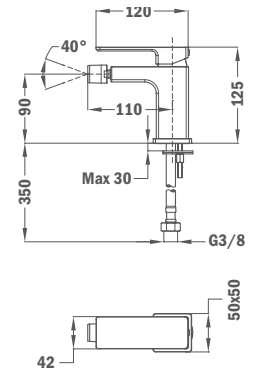
· NEW ·

**Bidet mixer**

- Without pop-up waste
- 3/8" flexible inlet pipes
- Anti-scale aerator
- Adjustable water stream directly at the aerator

REF.

85.626.12.00

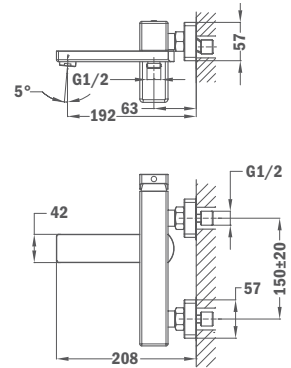


· NEW ·

**Bath/Shower mixer**

- Without shower set
- Equipped with noise reducers
- Hidden spout with shower function
- Visible spout with bath function
- Hidden diverter in the spout
- Anti-scale aerator
- Adjustable water stream directly at the aerator

85.121.12.00

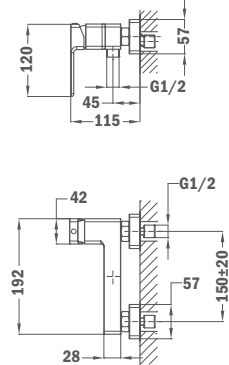


· NEW ·

**Shower mixer**

- Without shower set
- Equipped with noise reducers

85.231.12.00

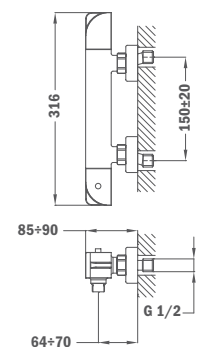


· NEW ·

**Thermostatic Shower mixer**

- Without shower set
- Equipped with noise reducers
- Anti-scale aerator
- Safe touch system
- With safety temperature stop at 38°C
- Check valves protected by filters

85.201.02.00





# SOLLER

· NEW ·

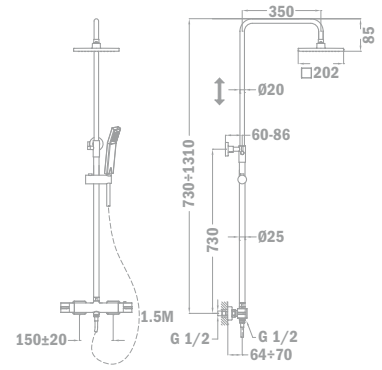


## Dual Control Shower system

- Dual Control mixer with upper outlet
- Safe touch system
- Integrated automatic diverter
- Adjustable round telescopic rail:
  - Min. height: 800mm
  - Max. height: 1300mm
- Shower head 200 x 200mm with anti-scale system
- Hand shower with anti-scale system
- Silver PVC flexible shower hose 1,5m with anti-twist system
- Adjustable hand shower holder
- Check valves protected by filters

REF.

85.278.02.00



# SOLLER

· NEW ·

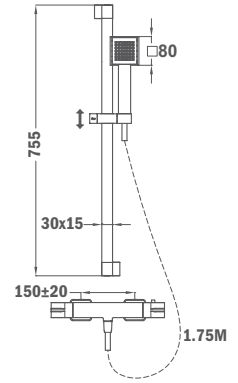


## Thermostatic Shower Set

- Safe touch system
- Thermostatic mixer with safety temperature stop at 38°C
- Square sliding bar 755mm
- Integrated diverter in the body
- 1 function hand shower 80mm
- Silver PVC flexible shower hose 1,75m with anti-twist system
- Adjustable hand shower holder
- Check valves protected by filters

REF.

85.202.02.20



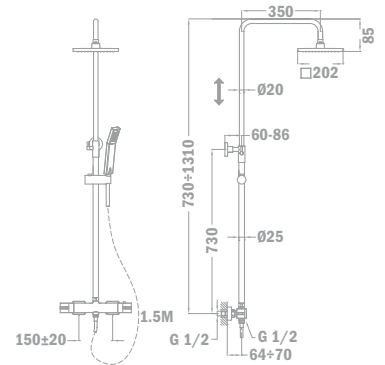
· NEW ·



## SOLLER Thermostatic Shower System

- Thermostatic shower mixer with upper outlet
- Safe touch system
- Thermostatic mixer with safety temperature stop at 38°C
- Integrated automatic diverter
- Adjustable round telescopic rail:
  - Min. height: 730mm
  - Max. height: 1310mm
- ABS shower head 200 x 200mm with anti-scale system
- 1 function hand shower 80mm with anti-scale system
- Silver PVC flexible shower hose 1,5m with anti-twist system
- Adjustable hand shower holder
- Check valves protected by filters

85.238.02.00



# SOLLER

· NEW ·

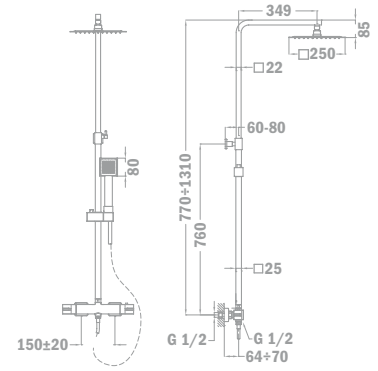


## Thermostatic Shower System

- Thermostatic shower mixer with upper outlet
- Safe touch system
- Thermostatic mixer with safety temperature stop at 38°C
- Integrated automatic diverter
- Adjustable square telescopic rail:
  - Min. height: 730mm
  - Max. height: 1310mm
- Metal shower head ultraslim 250 x 250mm with anti-scale system
- 1 function hand shower 80mm with anti-scale system
- Silver PVC flexible shower hose 1.5m with anti-twist system
- Adjustable hand shower holder
- Check valves protected by filters

REF.

85.237.02.00





VIDEO



# FORMENTERA

COOL:LAB



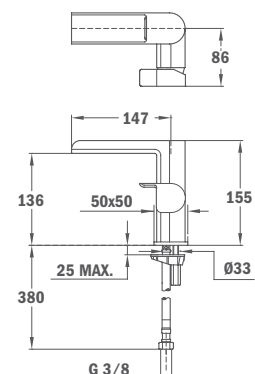
ACS

### Cascade washbasin mixer

- Without pop up waste
- Open cascade spout
- 3/8" flexible inlet pipes
- Innovative anti-splash & water saving system device located in the cartridge
- Constant optimized water consumption with a real water saving system
- Anti-scale flow straightener

REF.

62.331.02.00

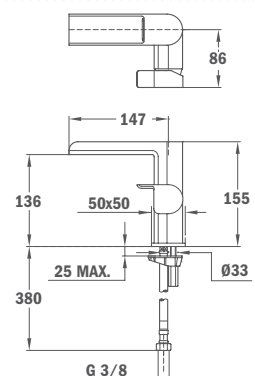


ACS

### Cascade washbasin mixer BLACK

- Without pop up waste
- Open cascade spout
- 3/8" flexible inlet pipes
- Innovative anti-splash & water saving system device located in the cartridge
- Constant optimized water consumption with a real water saving system
- Anti-scale flow straightener

62.331.02.0NC



# FORMENTERA

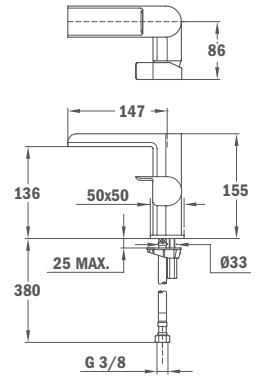


ACS

### Cascade washbasin mixer WHITE

- Without pop up waste
- Open cascade spout
- 3/8" flexible inlet pipes
- Innovative anti-splash & water saving system device located in the cartridge
- Constant optimized water consumption with a real water saving system
- Anti-scale flow straightener

REF.  
62.331.02.0BC

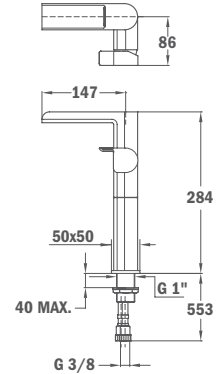


ACS

### Tall cascade washbasin mixer

- Without pop up waste
- Open cascade spout
- 3/8" flexible inlet pipes
- Innovative anti-splash & water saving system device located in the cartridge
- Constant optimized water consumption with a real water saving system.
- Anti-scale flow straightener

62.311.02.00

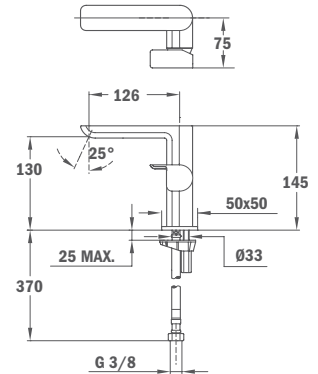


ACS

### Cascade washbasin mixer

- Without pop up waste
- Cascade spout
- Innovative anti-splash & water saving system device located in the cartridge
- Constant optimized water consumption with a real water saving system.
- 3/8" flexible inlet pipes

62.386.02.00

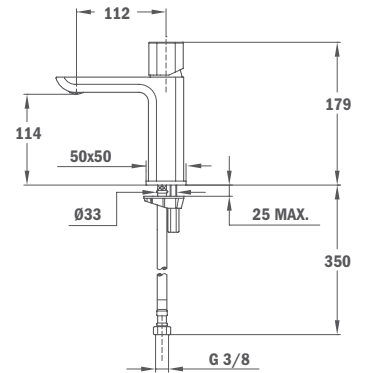


ACS

### Washbasin mixer

- Without pop up waste
- Constant optimized water consumption with a real water saving system.
- 3/8" flexible inlet pipes
- Anti-scale aerator

62.346.02.00

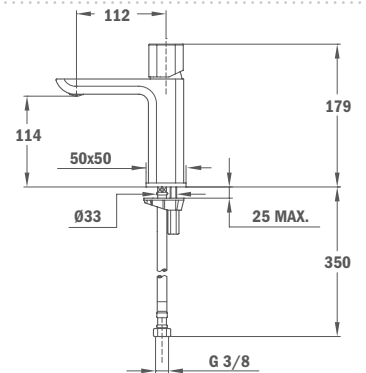


ACS

### Washbasin mixer Black

- Without pop up waste
- Constant optimized water consumption with a real water saving system.
- 3/8" flexible inlet pipes
- Anti-scale aerator

62.346.02.0NC



# FORMENTERA



**Washbasin mixer Black**

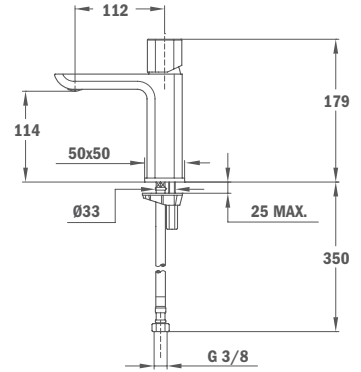
- Without pop up waste
- Constant optimized water consumption with a real water saving system.
- 3/8" flexible inlet pipes
- Anti-scale aerator



ACS

REF.

62.346.02.0BC



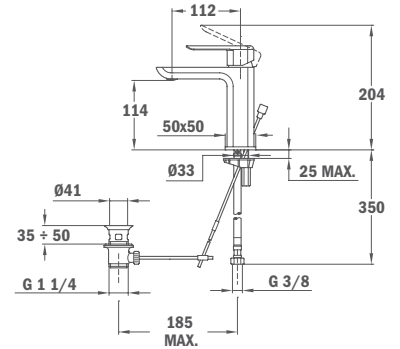
**Washbasin mixer**

- Without pop up waste
- Constant optimized water consumption with a real water saving system.
- 3/8" flexible inlet pipes
- Anti-scale aerator



ACS

62.346.12.00



**DITTO with metal pop-up waste**

62.342.12.00



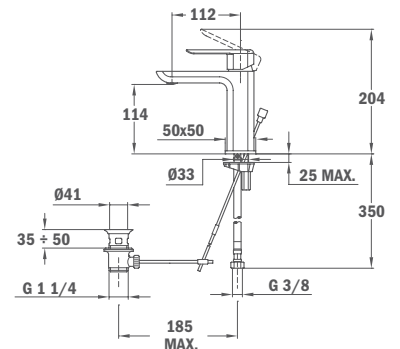
**Washbasin mixer Black**

- Without pop up waste
- Constant optimized water consumption with a real water saving system.
- 3/8" flexible inlet pipes
- Anti-scale aerator



ACS

62.346.12.0NC



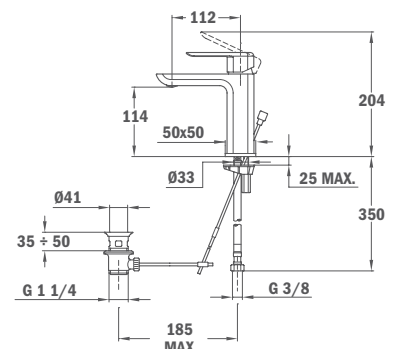
**Washbasin mixer White**

- Without pop up waste
- Constant optimized water consumption with a real water saving system.
- 3/8" flexible inlet pipes
- Anti-scale aerator



ACS

62.346.12.0BC

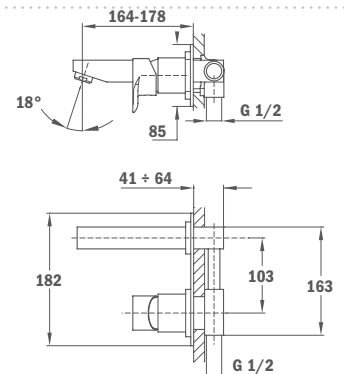


**Wall-mounted washbasin mixer**

- Without pop-up waste
- Spout maximum 187mm
- Anti-scale aerator



62.461.02.00







# FORMENTERA

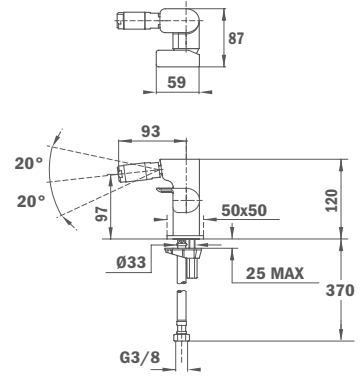
**Bidet mixer**

- Without pop-up waste
- 3/8" flexible inlet pipes
- Anti-scale aerator
- Swivel ball joint



REF.

62.626.02.00

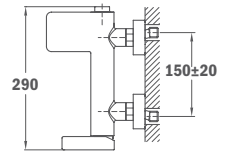
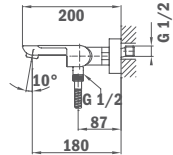


**Bath/shower mixer**

- Without shower set
- Equipped with noise reducers
- Anti-scale aerator
- Automatic diverter integrated in the body



62.121.02.00



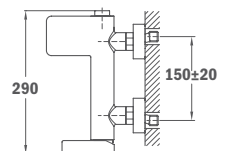
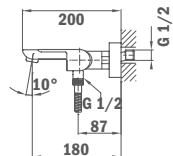
ACS

**Bath/shower mixer Black**

- Without shower set
- Equipped with noise reducers
- Anti-scale aerator
- Automatic diverter integrated in the body



62.121.02.0NC



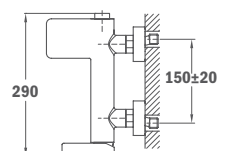
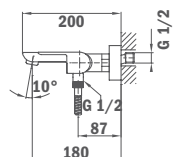
ACS

**Bath/shower mixer White**

- Without shower set
- Equipped with noise reducers
- Anti-scale aerator
- Automatic diverter integrated in the body



62.121.02.0BC



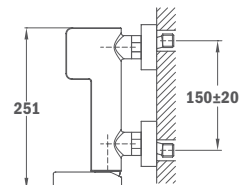
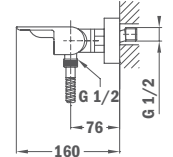
ACS

**Shower mixer**

- Without shower set
- Equipped with noise reducers



62.231.02.00



ACS

# FORMENTERA



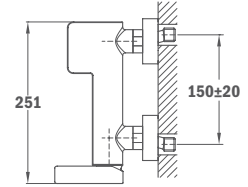
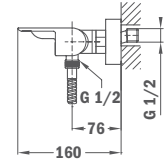
ACS

**Shower mixer Black**

- Without shower set
- Equipped with noise reducers

REF.

62.231.02.0NC

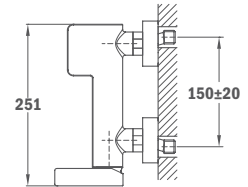
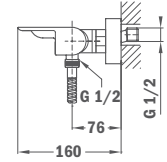


ACS

**Shower mixer White**

- Without shower set
- Equipped with noise reducers

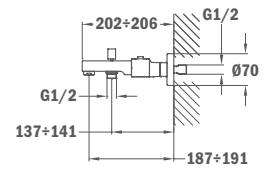
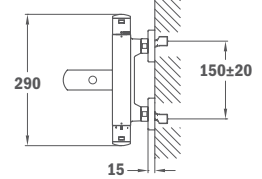
62.231.02.0BC



**Thermostatic bath/shower mixer**

- ECO button
- SAFE TOUCH system
- Automatic diverter in water outlet handle
- With safety temperature stop at 38°
- Check valves protected by filters
- Without shower set
- Anti-scale aerator

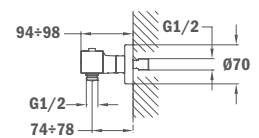
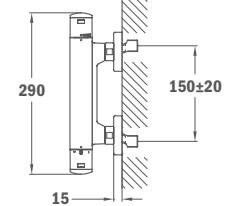
62.101.02.00



**Thermostatic shower mixer**

- ECO button
- SAFE TOUCH system
- With safety temperature stop at 38°
- Check valves protected by filters
- Without shower set

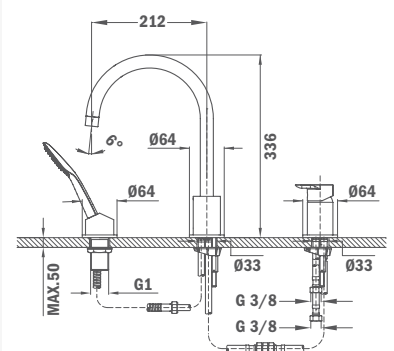
62.201.02.00



**Three-hole deck bath shower mixer**

- With Formentera hand shower
- Fixed central spout integrated diverter
- Anti-scale aerator

62.152.02.00



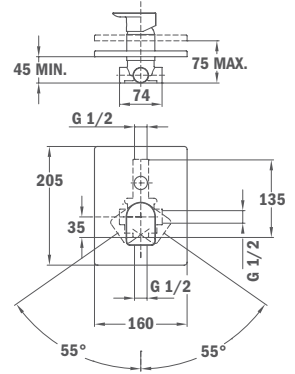
# FORMENTERA



**2 ways concealed mixer**

- Concealed part included
- Without shower set
- 40mm cartridge

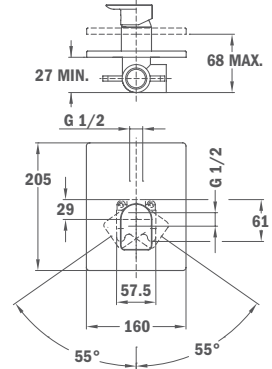
REF.  
62.171.02.00



**1 way concealed mixer**

- Concealed part included
- Without shower set
- 40mm cartridge

62.241.02.00



**Formentera shower kit**

- Hand shower 1 function
- Anti-scale
- Hand shower holder
- Flexible shower hose

79.005.54.00



**Formentera Shower head:**

- 279 x 279mm
- Swivel ball-joint
- Anti-scale

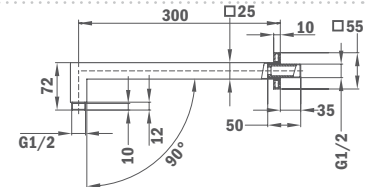
79.006.65.00



**Brass shower arm  
FORMENTERA 300**

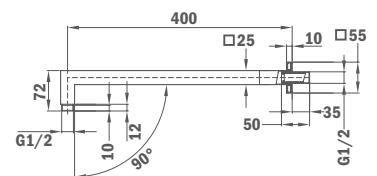
- 300mm
- 25 x 25mm
- Thread de 1/2"

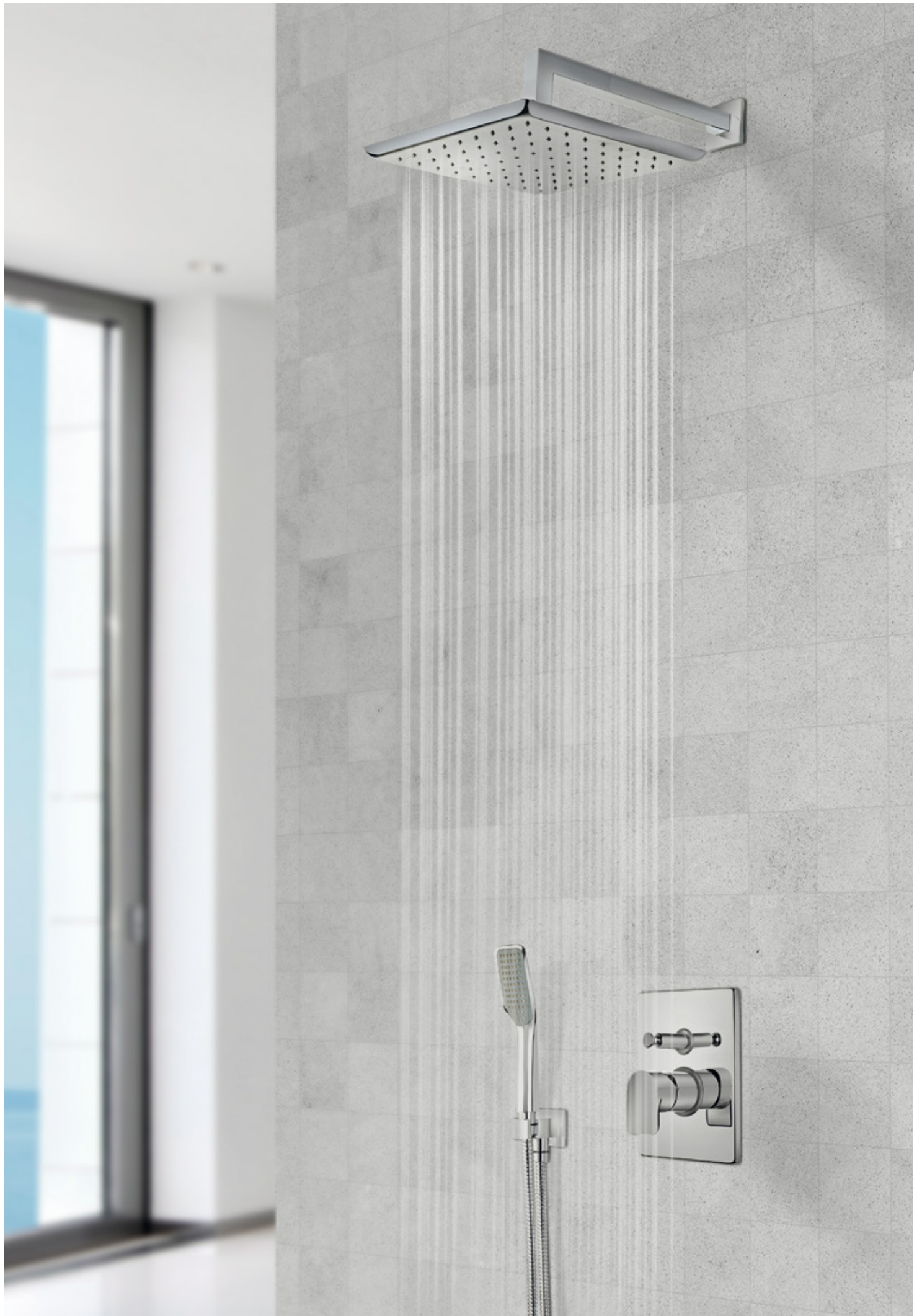
79.007.55.00



**DITTO, 400mm**

79.007.56.00





# FORMENTERA



## Thermostatic Shower System

- Thermostatic shower mixer with upper outlet
- Safe touch system
- Thermostatic mixer with safety temperature stop at 38°C
- Integrated automatic diverter
- Adjustable square telescopic rail:
  - Min height: 935mm
  - Max height: 1285mm
- Shower head 279 x 279mm with anti-scale system
- 1 function Formentera hand shower with anti-scale system
- Silver PVC flexible shower hose 1.5m with anti-twist system
- Adjustable hand shower holder
- Check valves protected by filters



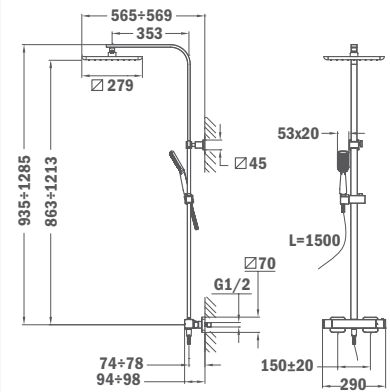
## Single Lever Shower System

- Shower mixer with upper outlet
- Integrated automatic diverter
- Adjustable square telescopic rail:
  - Min. height: 730mm
  - Max. height: 1310mm
- XL square headshower with anti-scale system, 279 x 279mm
- High quality metal flexible shower hose 1.5m
- Formentera hand shower with anti-scale system
- New square flanges, for a more integrated design
- Adjustable hand shower holder
- Check valves protected by filters

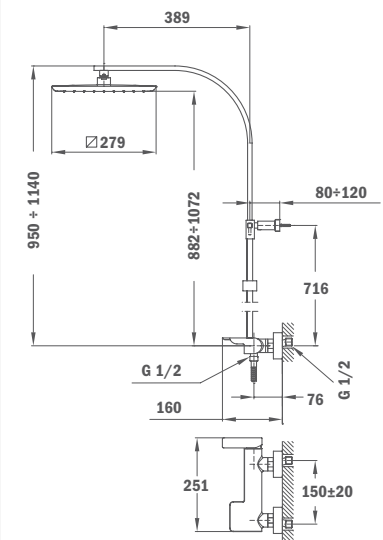


REF.

62.238.02.00



62.298.02.00





# FORMENTERA

## CONCEALED COMBO OPTIONS

### Combo 1 way concealed mixer

- All in 1 box
- 1 way concealed mixer
- Concealed part included
- Formentera shower kit
  - Hand shower
  - Hand shower holder with water outlet
  - Flexible shower hose

· NEW ·



REF.

62.242.02.20

### Combo 2 ways concealed mixer

- All in 1 box
- 2 ways concealed mixer
- Concealed part included
- Formentera head shower
- Shower arm
- Formentera shower kit
  - Hand shower
  - Hand shower holder with water outlet
  - Flexible shower hose

· NEW ·



REF.

62.172.02.20



NEXOS COLOURS



Black & Chrome



White & Chrome



Red & Chrome



Blue & Chrome



Green & Chrome





# NEXOS



· NEW ·



## Washbasin mixer

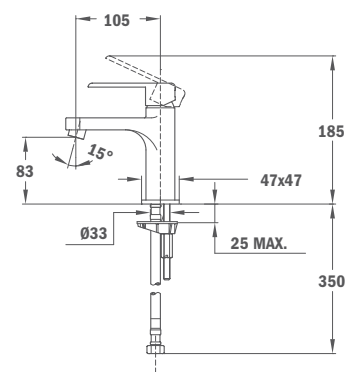
- Without pop-up waste
- 3/8" flexible inlet pipes
- Anti-scale aerator

- Black & Chrome
- White & Chrome
- Red & Chrome
- Blue & Chrome
- Green & Chrome

## REF.

66.346.02.00

- 66.346.02.0N
- 66.346.02.0W
- 66.346.02.0R
- 66.346.02.0Z
- 66.346.02.08



· NEW ·



## DITTO, with pop-up waste

- Black & Chrome
- White & Chrome
- Red & Chrome
- Blue & Chrome
- Green & Chrome



Click clack pop-up waste

66.345.02.00

- 66.345.02.0N
- 66.345.02.0W
- 66.345.02.0R
- 66.345.02.0Z
- 66.345.02.08

# NEXOS

· NEW ·



· NEW ·



· NEW ·



· NEW ·



· NEW ·



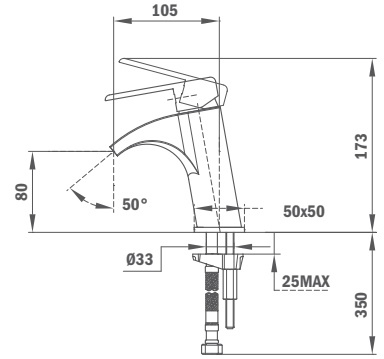
## Cascade Washbasin mixer

- Without pop-up waste
- Cascade spout
- 3/8" flexible inlet pipes
- Anti-scale aerator
- Anti-splashed water saving system (5 l/min)
- Optimized water consumption

### DITTO, with pop-up waste

REF.

66.386.02.00



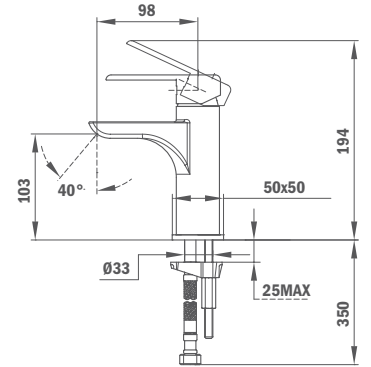
66.385.02.00

## Cascade Washbasin mixer

- Without pop up waste
- Cascade spout
- 3/8" flexible inlet pipes
- Anti-splash and water saving system (5 l/min)
- Optimized water consumption

### DITTO, with pop-up waste

66.331.02.00



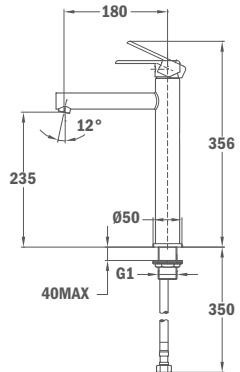
66.335.02.00

## Tall washbasin mixer

- Length spout: 180mm
- Without pop-up waste
- 3/8" flexible inlet pipes
- Anti-scale aerator

### DITTO, with pop-up waste

66.366.02.00



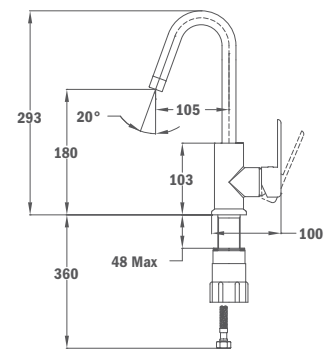
66.365.02.00

## Tall washbasin mixer

- Length spout: 105mm
- Without pop-up waste
- 3/8" flexible inlet pipes
- Anti-scale aerator
- Anti-splash and water saving system (5 l/min)
- Easy and quick installation

### DITTO, with pop-up waste

66.376.02.00



66.375.02.00

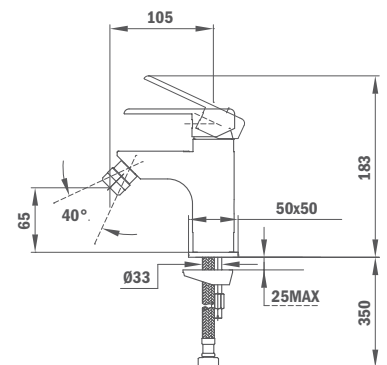


## Bidet mixer

- Without pop-up waste
- 3/8" flexible inlet pipes
- Anti-scale aerator

### DITTO, with pop-up waste

66.626.02.00



66.625.02.00

# NEXOS

· NEW ·

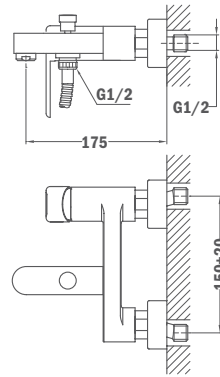


**Bath/shower mixer**

- Without shower set
- Equipped with noise reducers
- Anti-scale aerator
- Diverter integrated in the mixer

REF.

66.121.02.00



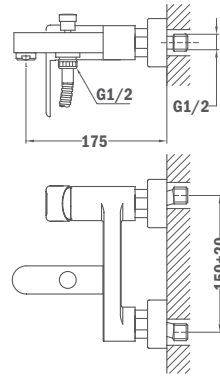
· NEW ·



**Bath/shower mixer Black & Chrome**

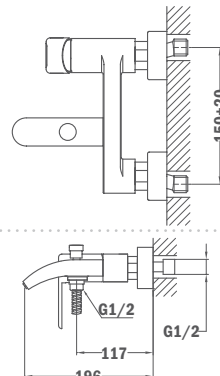
- Without shower set
- Equipped with noise reducers
- Anti-scale aerator
- Diverter integrated in the mixer

66.121.02.0NC



**White & Chrome**

66.121.02.0BC



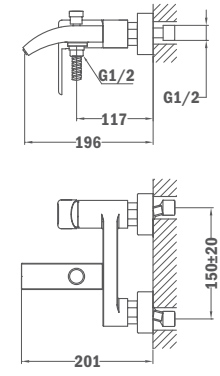
· NEW ·



**Cascade Bath/shower mixer**

- Without shower set
- Cascade spout
- Equipped with noise reducers
- Integrated aerator in the spout
- Diverter integrated in the mixer

66.101.02.00



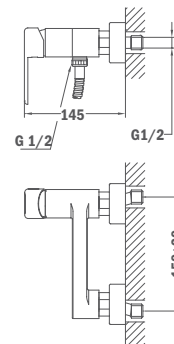
· NEW ·



**Shower mixer**

- Without shower set
- Equipped with noise reducers

66.231.02.00



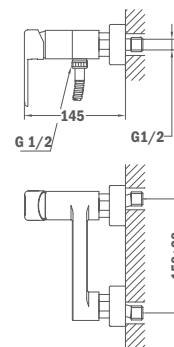
· NEW ·



**Shower mixer White**

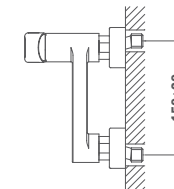
- Without shower set
- Equipped with noise reducers

66.231.02.0BC



**Black & Chrome**

66.231.02.0NC



# NEXOS

· NEW ·

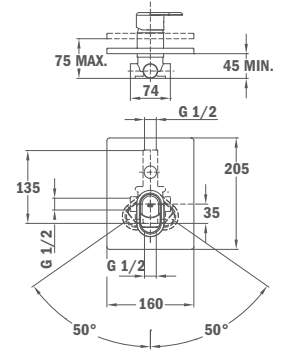


## 2 ways concealed mixer

- Without shower set
- Concealed part included
- 40mm cartridge

REF.

66.171.02.00



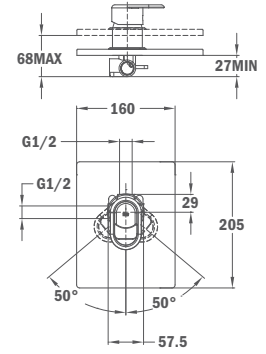
· NEW ·



## 1 way concealed mixer

- Without shower set
- Concealed part included
- 40mm cartridge

66.241.02.00



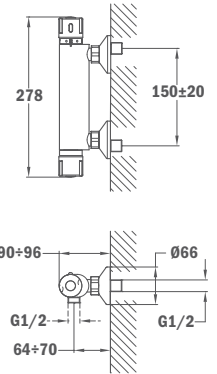
· NEW ·



## Thermostatic Shower Mixer

- ECO button
- With safety temperature stop at 38° C
- Check valves protected by filters
- Without shower set

66.201.02.00



# NEXOS

· NEW ·

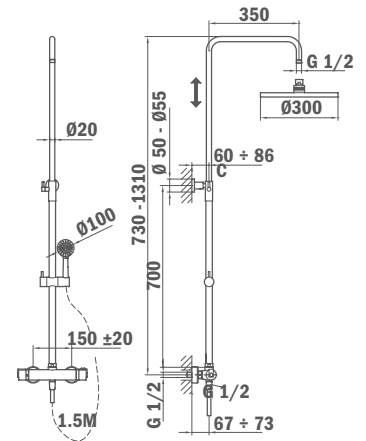


## Thermostatic Shower System

- Thermostatic shower mixer with upper outlet,
- Thermostatic mixer with safety temperature stop at 38°C
- Integrated automatic diverter
- Adjustable round telescopic rail:
  - Min. height: 800 mm
  - Max. height: 1300 mm
- Metal shower head ultraslim 300mm with anti-scale system
- Ice hand shower with anti-scale system:
  - 3 functions
  - Ø 100 mm
- Silver PVC flexible shower hose 1,5m with anti-twist system
- Adjustable hand shower holder
- Check valves protected by filters

REF.

66.238.02.00



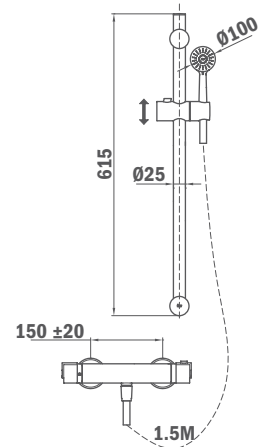
· NEW ·



## Thermostatic shower set

- Thermostatic shower mixer
- Safety temperature stop at 38°C
- Sliding bar  $\varnothing 25$ mm, 60cm
- High quality metal flexible shower hose 1,5m with anti-twist system
- Ice hand shower with anti-scale system:
  - 3 functions
  - $\varnothing 100$ mm
- Adjustable hand shower holder

66.202.02.20





# 1820 CAPRICHIO

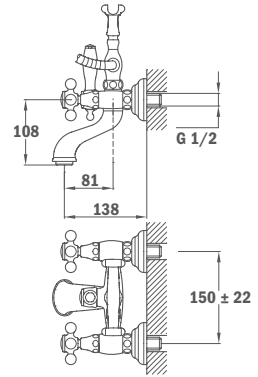


**Bath/shower mixer**

- With 1820 shower set 13.134.00
- Hand shower with porcelain handle
- Ceramic headparts 1/2 turn
- Anti-scale aerator
- Diverter with porcelain handle

REF.

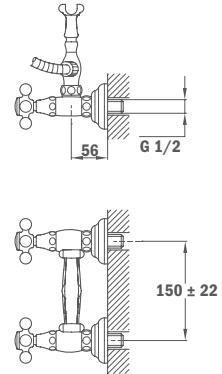
56.122.51



**Shower mixer**

- With 1820 shower set 13.134.00
- Hand shower with porcelain handle
- Ceramic headparts 1/2 turn

56.212.51



**1820 Shower set**

- 1 function

R13.134.00





# ITACA · NEW ·



· NEW ·



## Washbasin mixer S size

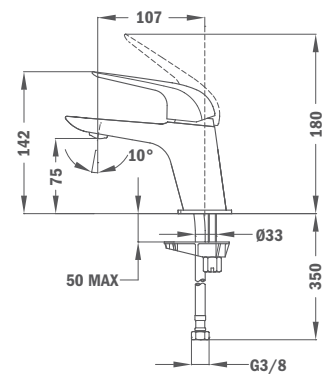
- Without pop-up waste
- Anti-scale aerator with water flow limiter 5 l/min
- Saves up to 60% water
- 3/8" flexible inlet pipes

## DITTO with pop-up waste

REF.

67.346.02.00

67.345.02.00



· NEW ·



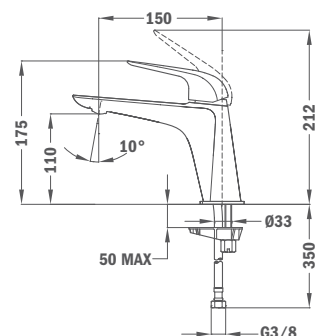
## Washbasin mixer L size

- Without pop-up waste
- Anti-scale aerator with water flow limiter 5 l/min
- Saves up to 60% water
- 3/8" flexible inlet pipes

## DITTO with pop-up waste

67.386.02.00

67.385.02.00





# ITACA

· NEW ·



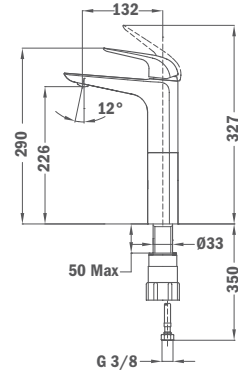
### Washbasin mixer XL size

- Without pop-up waste
- Anti-scale aerator with water flow limiter 5 l/min
- Saves up to 60% water
- 3/8" flexible inlet pipes
- Easy and quick installation



REF.

67.366.02.00



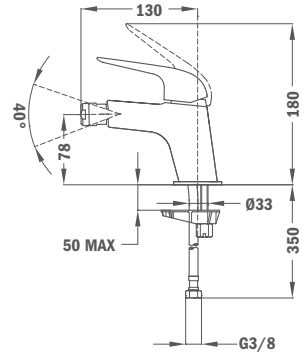
· NEW ·



### Bidet mixer

- Without pop-up waste
- 3/8" flexible inlet pipes
- Anti-scale aerator

67.626.02.00



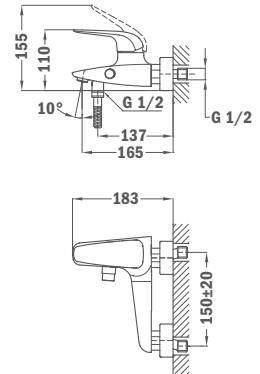
· NEW ·



### Bath-Shower mixer

- Without shower set
- Integrated diverter in the body
- Equipped with noise reducers
- Anti-scale aerator
- Cold body system

67.121.02.00



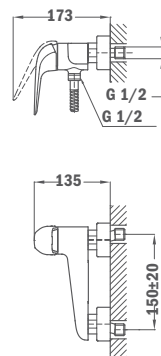
· NEW ·



### Shower mixer

- Without shower set
- Equipped with noise reducers
- Cold body system

67.231.02.00



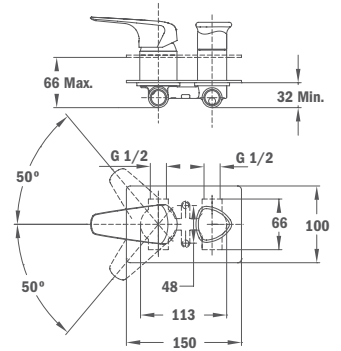
# ITACA

· NEW ·



- 2 ways concealed mixer**
- Without shower set
  - Concealed part included
  - Ultraslim plate
  - Innovative ceramic diverter

REF.  
67.171.02.00

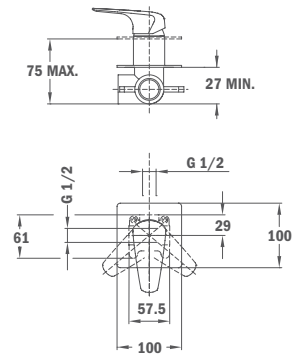


· NEW ·



- 1 way concealed mixer**
- Without shower set
  - Concealed part included
  - Ultraslim plate

REF.  
67.241.02.00



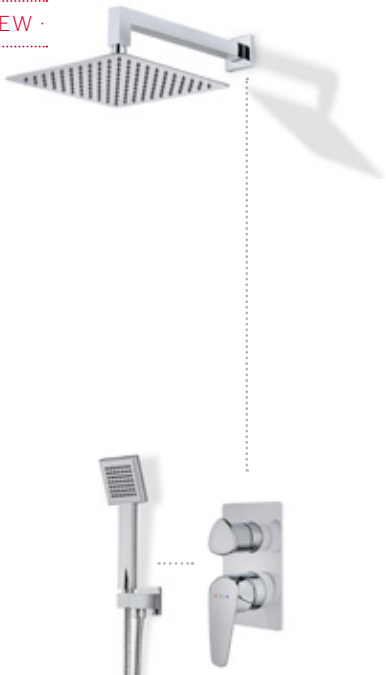
## CONCEALED COMBO OPTIONS

**Combo 2 ways concealed mixer**

- All in 1 box
- 2 ways concealed mixer
- Concealed part included
- Ultra slim shower head 250 x 250mm
- Shower arm 300mm
- Shower kit
  - Hand shower
  - Hand shower holder with water outlet
  - Flexible shower hose

REF.  
67.172.02.20

· NEW ·



**Combo 1 way concealed mixer**

- All in 1 box
- 1 way concealed mixer
- Concealed part included
- Shower kit
  - Hand shower
  - Hand shower holder with water outlet
  - Flexible shower hose

REF.  
67.242.02.20

· NEW ·



# ITACA

· NEW ·



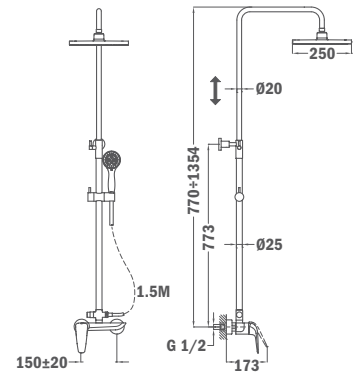
## Single lever shower system

- Shower mixer with upper outlet
- Automatic diverter
- Adjustable round telescopic rail:
  - Min. height: 800mm
  - Max. height: 1300mm
- Shower head Ø 250mm with anti-scale system
- 3 functions hand shower with anti-scale system
- Silver PVC flexible shower hose 1,5m with anti-twist system
- Adjustable hand shower holder



REF.

67.298.02.00







VIDEO



# ALAIOR



### Washbasin mixer XL

- Without pop-up waste
- 3/8" flexible inlet pipes
- Anti-scale aerator

### DITTO with metal pop up waste

### DITTO, with ECO cartridge

- Anti-scale aerator with water flow limiter 5 l/min
- ECO cartridge gives only cold water when opening in central position of the handle



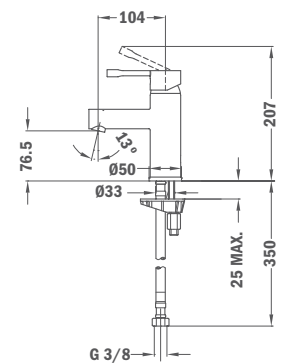
ACS

### REF.

22.346.02.00

22.342.02.00

22.346.E2.00



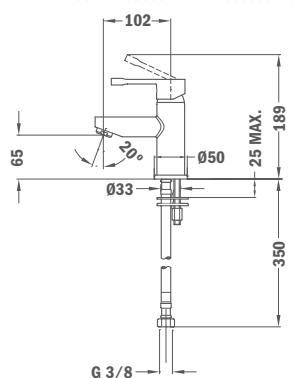
### Washbasin mixer

- Without pop-up waste
- 3/8" flexible inlet pipes
- Anti-scale aerator

### DITTO with metal pop up waste

55.346.02.00

55.342.02.00



ACS BYGGFORSK

# ALAIOR



**Tall Washbasin mixer**

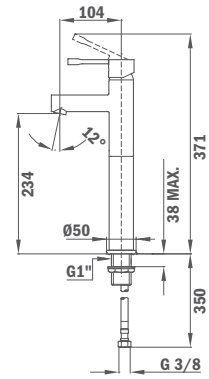
- Length spout: 104mm
- Without pop-up waste
- 3/8" flexible inlet pipes
- Anti-scale aerator

**DITTO with metal pop up waste**

REF.

55.311.02.00

55.322.02.00



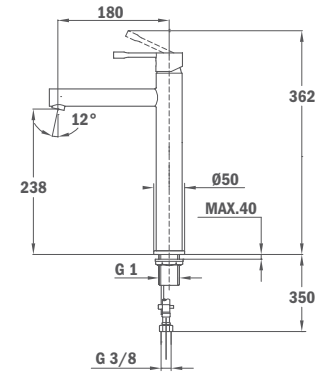
**Tall Washbasin mixer**

- Length spout: 180mm
- Without pop-up waste
- 3/8" flexible inlet pipes
- Anti-scale aerator

**DITTO with metal pop up waste**

55.366.02.00

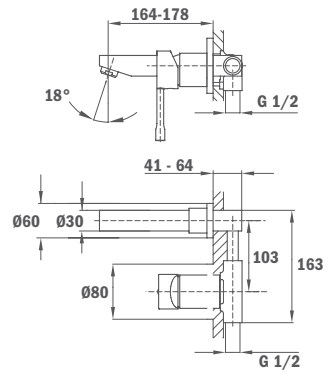
55.362.02.00



**Wall-mounted washbasin mixer**

- Without pop-up waste
- Spout maximum 187mm
- Anti-scale aerator

22.461.02.00



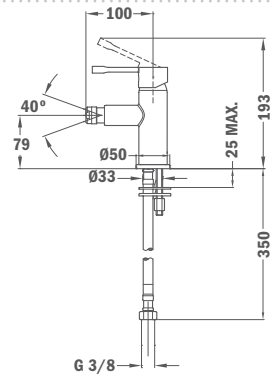
**Bidet mixer**

- Without pop-up waste
- 3/8" flexible inlet pipes
- Anti-scale aerator

**DITTO with metal pop up waste**

55.626.02.00

55.622.02.00



ACS



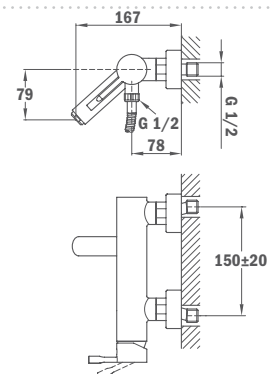
**Bath/shower mixer**

- With Kobe shower set
- Equipped with noise reducers
- Anti-scale aerator
- Diverter integrated in the mixer

**DITTO, without shower set**

22.122.02.00

22.121.02.00



ACS

# ALAIOR

**Shower mixer**

- With Kobe shower set
- Equipped with noise reducers



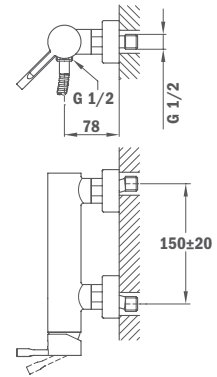
ACS

**DITTO, without shower set**

**REF.**

22.232.02.00

22.231.02.00

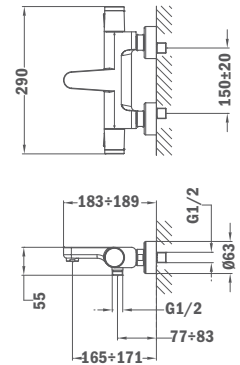


**Thermostatic Bath shower mixer**

- ECO button
- SAFE TOUCH system
- Automatic diverter in water outlet handle
- With safety temperature stop at 38° C
- Check valves protected by filters
- Without shower set
- Anti-scaleerator



22.101.02.00

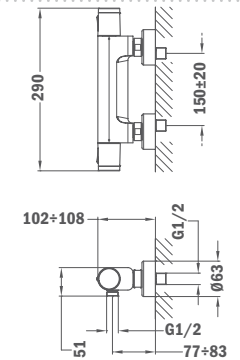


**Thermostatic shower mixer**

- ECO button
- SAFE TOUCH system
- With safety temperature stop at 38° C
- Check valves protected by filters
- Without shower set



22.201.02.00

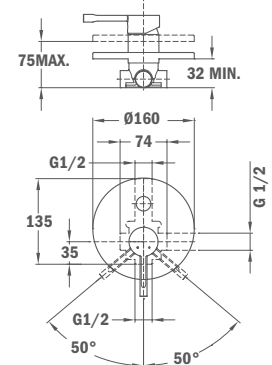


**2 ways concealed mixer**

- Without shower set
- Concealed part included
- 40mm cartridge



55.171.02.00

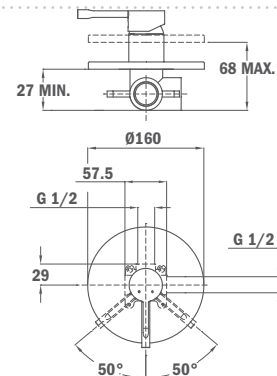


**1 way concealed mixer**

- Without shower set
- Concealed part included
- 40mm cartridge



55.241.02.00





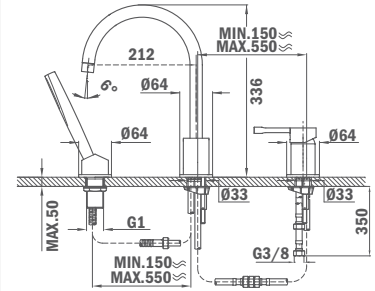
# ALAIOR



### Three-hole deck bath-shower mixer

- With Kobe hand shower R13.157.00
- Fixed central spout with integrated diverter
- Anti-scale aerator

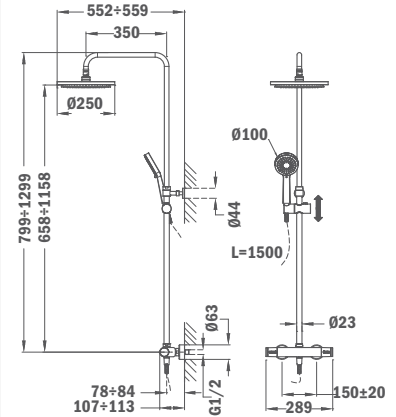
REF. 22.152.02.00



### ALAIOR XL Thermostatic Shower System

- Thermostatic Shower mixer with upper outlet
- Safe touch system
- Thermostatic mixer with safety temperature stop at 38°C
- Integrated automatic diverter
- Adjustable round telescopic rail:
  - Min. height: 800mm
  - Max. height: 1300mm
- Chromed shower head 250mm with anti-scale system
- 3 functions hand shower 100mm with anti-scale system
- High quality metal flexible shower hose 1,5m
- Adjustable hand shower holder
- Check valves protected by filters

22.238.02.00



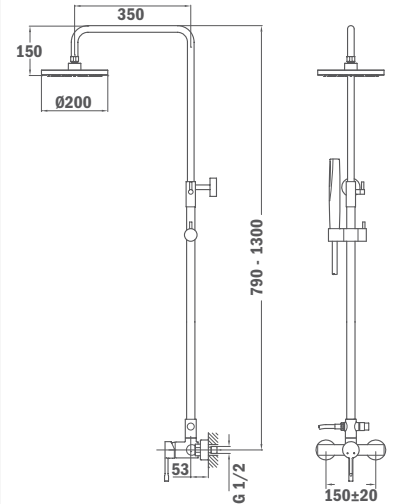
Telescopic rail



### Shower System

- Shower mixer with upper outlet
- Automatic diverter
- Adjustable round telescopic rail:
  - Min. height: 800mm
  - Max. height: 1300mm
- Disk II shower head 200mm with anti-scale system
- Stick hand shower with anti-scale system
- High quality metal flexible shower hose 1,5m
- Adjustable hand shower holder

55.298.02.00



Telescopic rail





# ARES



### ECO Washbasin mixer

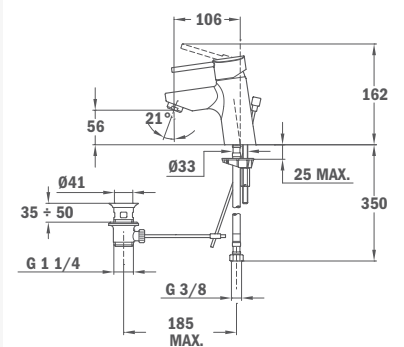
- With ECO cartridge
- Aerator with pressure compensating flow regulator 8 l/min
- Automatic metal pop-up waste
- Flexible inlet pipes 3/8"

### DITTO, without pop-up waste

### REF.

23.342.E2.00

23.346.E2.00



ACS    
BYGGFORSK

· NEW ·



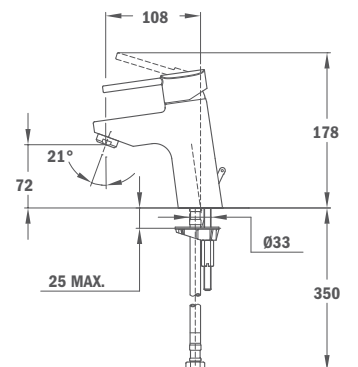
### Washbasin mixer L size

- Without pop-up waste
- Flexible inlet pipes 3/8"
- Anti-scale aerator

### DITTO, with metal pop-up waste

23.386.02.00

23.382.02.00



# ARES

**Bidet mixer**

- Automatic metal pop-up waste
- Flexible inlet pipes 3/8"

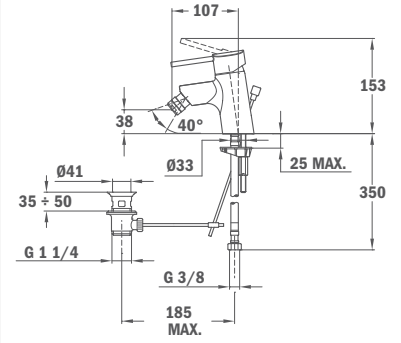
**DITTO, without pop-up waste**



REF.

23.622.02.00

23.626.02.00



**Bath/shower mixer**

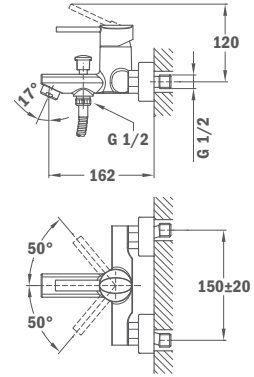
- With Ducal shower set
- Equipped with noise reducers
- Anti-scale

**DITTO, without shower set**



23.122.02.00

23.121.02.00



**Shower mixer**

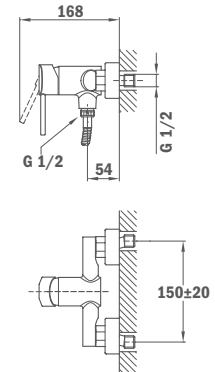
- With Ducal shower set
- Equipped with noise reducers

**DITTO, without shower set**



23.232.02.00

23.231.02.00



**2 ways concealed mixer**

- Without shower set
- Concealed part included
- 40mm cartridge

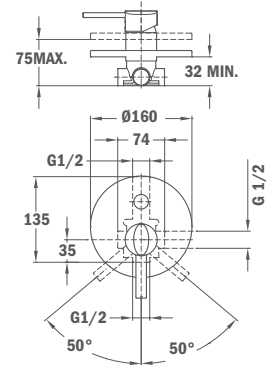
**1 way concealed mixer**

- Without shower set
- Concealed part included
- 40mm cartridge



23.171.02.00

23.241.02.00



**Ducal Shower Set**

- 1 function
- Anti-scale



R13.187.00



# CALVIA



### Washbasin mixer

- Without pop-up waste
- Anti-scale aerator
- 3/8" flexible inlet pipes

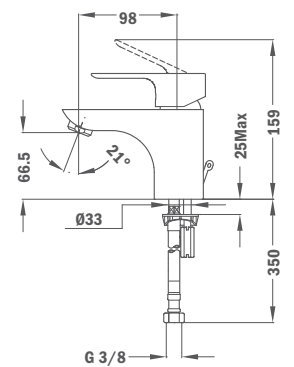
### DITTO, with ECO cartridge

- Anti-scale aerator with water flow limiter 5 l/min
- ECO cartridge gives only cold water when opening in central position of the handle

### REF.

32.346.02.00

32.346.E2.00



NF ACS

· NEW ·



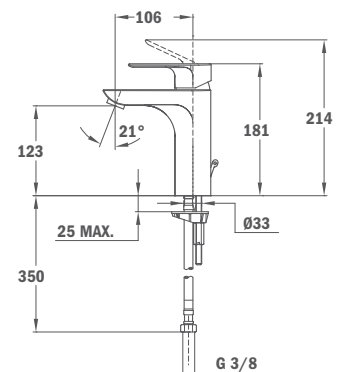
### Washbasin mixer L size

- Without pop up waste
- 3/8" flexible inlet pipes
- Anti-scale aerator
- Optimized water consumption

### DITTO, with Metal Pop-up waste

32.386.02.00

32.382.02.00



# CALVIA

· NEW ·



**Washbasin mixer L size**

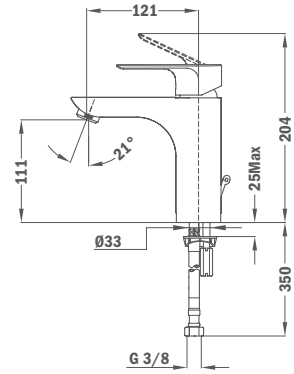
- Length spout: 121mm
- Without pop-up waste
- 3/8" flexible inlet pipes
- Anti-scale aerator

**DITTO, with metal pop-up waste**

REF.

32.366.02.00

32.362.02.00



· NEW ·



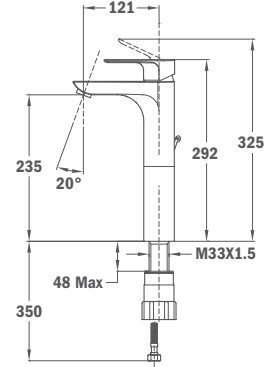
**Washbasin mixer XL size**

- Length spout: 121mm
- Without pop-up waste
- 3/8" flexible inlet pipes
- Anti-scale aerator
- Quick and easy installation

**DITTO, with metal pop-up waste**

32.311.02.00

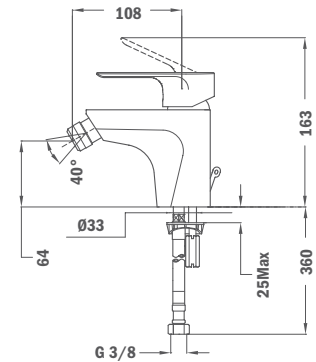
32.322.02.00



**Bidet mixer**

- Without pop-up waste
- 3/8" flexible inlet pipes
- Anti-scale aerator

32.626.02.00



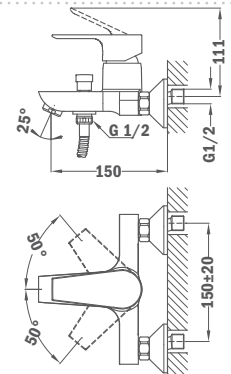
**Bath/shower mixer**

- With BASIC shower set
- Equipped with noise reducers
- Anti-scale

**DITTO, without shower set**

32.122.02.00

32.121.02.00



NF ACS

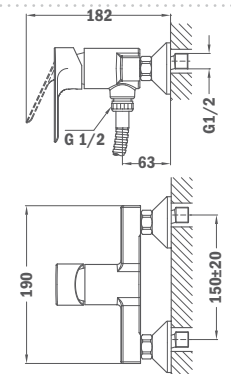
**Bath/shower mixer**

- With BASIC shower set
- Equipped with noise reducers

**DITTO, without shower set**

32.232.02.00

32.231.02.00



NF ACS

# CALVIA



- 2 ways concealed mixer**
- Without shower set
  - Concealed part included
  - 40mm cartridge

- 1 way concealed mixer**
- Without shower set
  - Concealed part included
  - 40mm cartridge

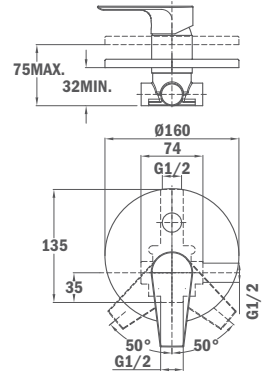


- Basic anti-scale**
- 1 function

REF.

32.171.02.00

32.241.02.00



R13.184.00

## CONCEALED COMBO OPTIONS

**Combo 2 ways concealed mixer**

- **All in 1 box**
- 2 ways concealed mixer
- Concealed part included
- Ultra slim shower head Ø250mm
- Shower arm 300mm
- Shower kit
  - Hand shower
  - Hand shower holder with water outlet
  - Flexible shower hose

· NEW ·



REF.

32.172.02.20

**Combo 1 way concealed mixer**

- **All in 1 box**
- 1 way concealed mixer
- Concealed part included
- Shower kit
  - Hand shower
  - Hand shower holder with water outlet
  - Flexible shower hose

· NEW ·



REF.

32.242.02.20



# MANACOR

· NEW ·



· NEW ·

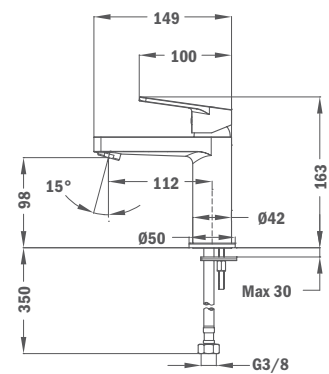


### Washbasin mixer

- Without pop-up waste
- Anti-scale aerator with water flow limiter 5 l/min
- Saves up to 60% water
- 3/8" flexible inlet pipes

REF.

84.346.12.50



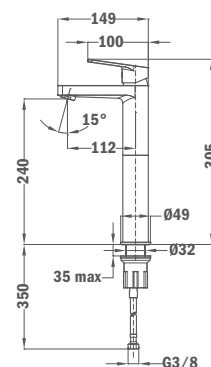
· NEW ·



### Tall Washbasin mixer

- Length spout: 112mm
- Without pop-up waste
- Anti-scale aerator with water flow limiter 5 l/min
- Saves up to 60% water
- 3/8" flexible inlet pipes
- Quick and easy installation

84.311.12.50



# MANACOR

· NEW ·



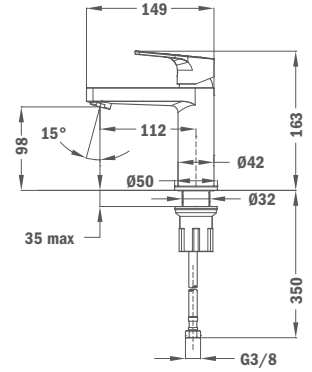
**Cold tap**

- Without pop-up waste
- Anti-scale aerator
- 1/2" flexible inlet pipe included
- Quick and easy installation



REF.

84.511.12.00



· NEW ·



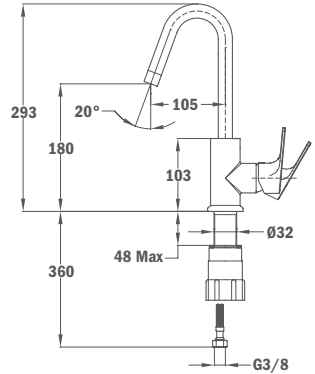
**Tall Washbasin mixer**

- Length spout: 104mm
- Without pop-up waste
- 3/8" flexible inlet pipes
- Anti-scale aerator
- Quick and easy installation

**DITTO, with pop-up waste**



84.375.12.00



84.376.12.00

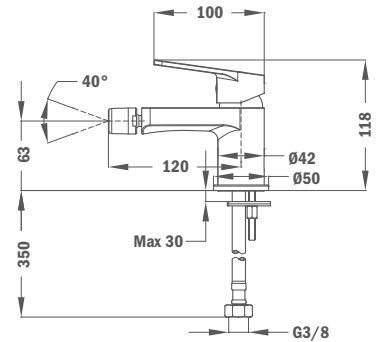
· NEW ·



**Bidet mixer**

- Without pop-up waste
- 3/8" flexible inlet pipes
- Anti-scale aerator

84.626.12.00



· NEW ·

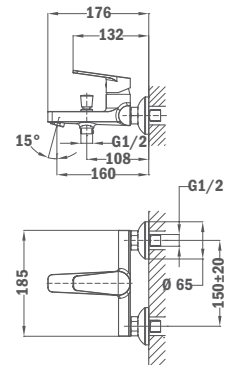


**Bath/shower mixer**

- With DUCAL shower set
- Equipped with noise reducers
- Anti-scale

**DITTO, without shower set**

84.122.12.00



· NEW ·

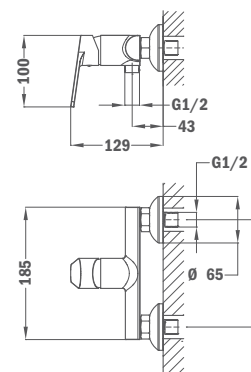


**Shower mixer**

- With DUCAL shower set
- Equipped with noise reducers

**DITTO, without shower set**

84.232.12.00



84.231.12.00

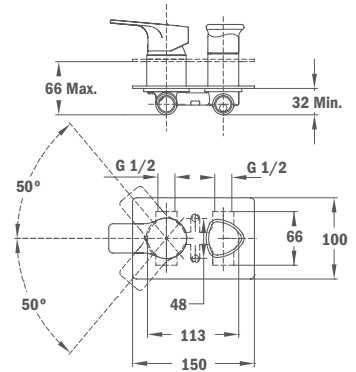


# MANACOR



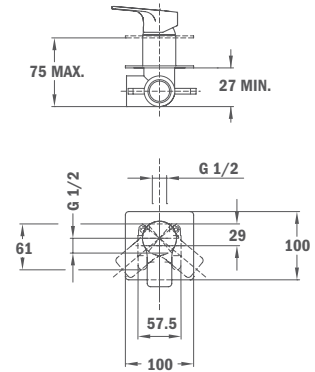
- 2 ways concealed mixer**
- Without shower set
  - Concealed part included
  - Ultraslim plate
  - Innovative ceramic diverter

REF.  
84.171.12.00



- 1 way concealed mixer**
- Without shower set
  - Concealed part included
  - Ultraslim plate

84.241.12.00



## CONCEALED COMBO OPTIONS

**Combo 2 ways concealed mixer**

- All in 1 box
- 2 ways concealed mixer
- Concealed part included
- Ultra slim shower head Ø250mm
- Shower arm 300mm
- Shower kit
  - Hand shower
  - Hand shower holder with water outlet
  - Flexible shower hose



REF.  
84.172.02.20

**Combo 1 way concealed mixer**

- All in 1 box
- 1 way concealed mixer
- Concealed part included
- Shower kit
  - Hand shower
  - Hand shower holder with water outlet
  - Flexible shower hose

· NEW ·



REF.  
84.242.02.20

# MANACOR

· NEW ·

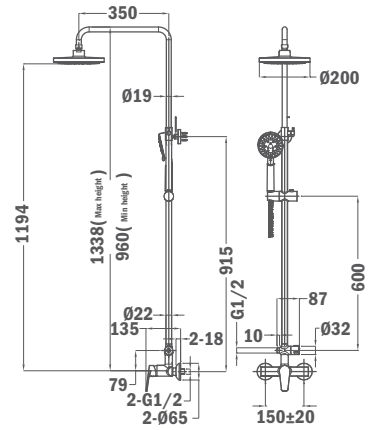


## Shower System

- Shower mixer with upper outlet
- Automatic diverter
- Adjustable round telescopic rail:
  - Min. height: 960mm
  - Max. height: 1338mm
- Shower head Ø 200mm with anti-scale system
- 3 functions hand shower with anti-scale system
- High quality metal flexible shower hose 1,5m
- Adjustable hand shower holder

REF.

84.298.12.00



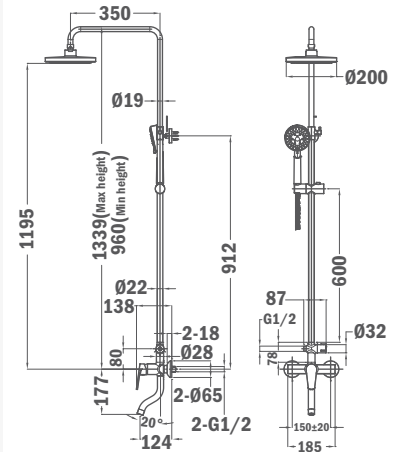
· NEW ·



## Bath-shower system

- Bath-shower mixer with upper outlet
- Automatic diverter
- Adjustable round telescopic rail:
  - Min. height: 960mm
  - Max. height: 1338mm
- Shower head Ø 200mm with anti-scale system
- 3 functions hand shower with anti-scale system
- High quality metal flexible shower hose 1,5m
- Adjustable hand shower holder

84.198.12.00



# MANACOR

· NEW ·



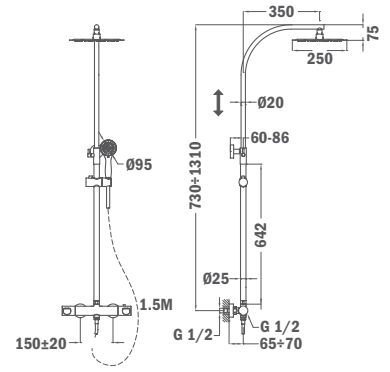
## Thermostatic Shower System

- Thermostatic shower mixer with upper outlet
- Safe touch system
- Thermostatic mixer with safety temperature stop at 38°C
- Integrated automatic diverter
- Adjustable round telescopic rail:
  - Min. height: 730mm
  - Max. height: 1310mm
- Metal ultraslim shower head with anti-scale system:
  - Ø250mm
  - 2mm thickness
- 3 functions hand shower with anti-scale system
- PVC flexible shower hose 1.5m with anti-twist system
- Adjustable hand shower holder
- Check valves protected by filters



REF.

84.237.02.00



· NEW ·

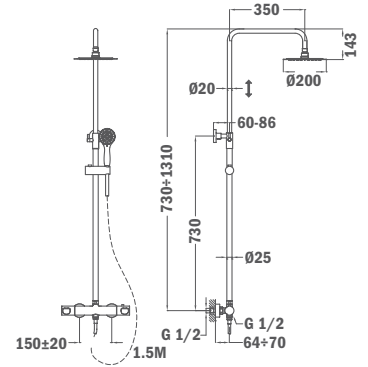


## Thermostatic Shower System

- Thermostatic shower mixer with upper outlet
- Safe touch system
- Thermostatic mixer with safety temperature stop at 38°C
- Integrated automatic diverter
- Adjustable round telescopic rail:
  - Min. height: 730 mm
  - Max. height: 1310 mm
- Metal ultraslim shower head with anti-scale system:
  - Ø200mm
  - 2mm thickness
- 3 functions hand shower with anti-scale system
- High quality metal flexible shower hose 1.5m
- Adjustable hand shower holder
- Check valves protected by filters



84.238.02.00



# MANACOR

· NEW ·

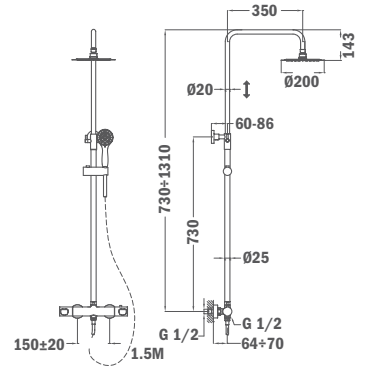


## Dual Control Shower System

- Dual Control mixer with upper outlet
- Safe touch system
- Integrated automatic diverter
- Adjustable round telescopic rail:
  - Min. height: 730mm
  - Max. height: 1310mm
- Metal ultraslim shower head with anti-scale system:
  - Ø200mm
  - 2mm thickness
- 3 functions hand shower with anti-scale system
- High quality metal flexible shower hose 1,5m
- Adjustable hand shower holder
- Check valves protected by filters

REF.

84.278.02.00



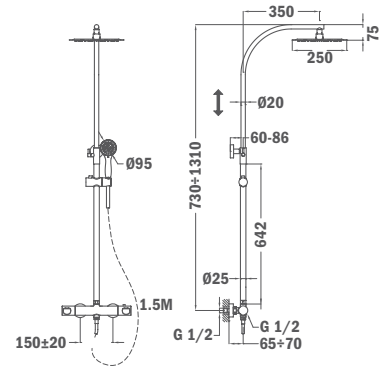
· NEW ·



## Dual Control Shower system

- Dual Control mixer with upper outlet
- Safe touch system
- Integrated automatic diverter
- Adjustable round telescopic rail:
  - Min. height: 730mm
  - Max. height: 1310mm
- Metal ultraslim shower head with anti-scale system:
  - Ø250mm
  - 2mm thickness
- 3 functions hand shower with anti-scale system
- PVC flexible shower hose 1.5m with anti-twist system
- Adjustable hand shower holder
- Check valves protected by filters

84.277.02.00



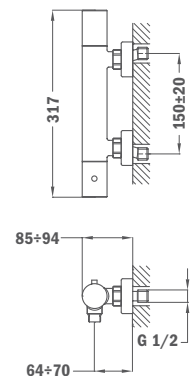
· NEW ·



## Thermostatic Shower Mixer

- SAFE TOUCH system
- With safety temperature stop at 38° C
- Check valves protected by filters
- Without shower set

84.201.02.00



# MANACOR

· NEW ·

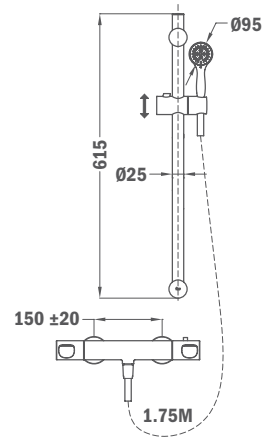


### Thermostatic shower set

- Thermostatic shower mixer with safety temperature stop at 38°C
- Safe touch system
- Sliding bar Ø 25mm, 60cm
- High quality metal flexible shower hose 1,75m
- Hand shower with anti-scale system:
  - 3 functions
- Adjustable hand shower holder
- Check valves protected by filters

REF.

84.202.02.20



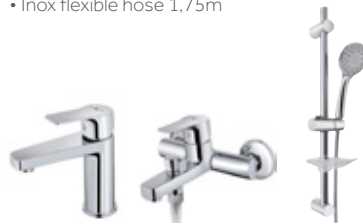
· NEW ·



### Manacor Combo

- Washbasin 84.346.12.50
- Bath/shower mixer 84.121.12.00
- Adjustable telescopic rail with soap dish
- Hand Shower 3 functions
- Inox flexible hose 1,75m

84.710.12.00



· NEW ·



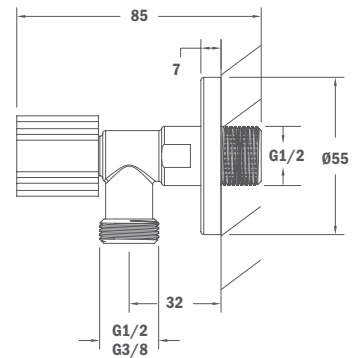
### Ceramic angle valve

- Ceramic headpart 90° turn
- Equipped with filters
- 1/2" – 1/2"

15.018.02.00

### DITTO 1/2" – 3/8"

15.019.02.00



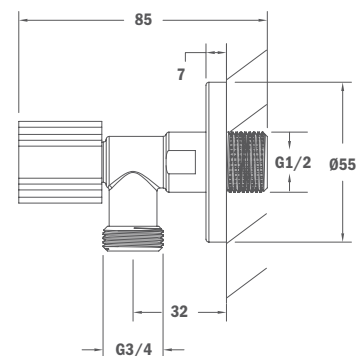
· NEW ·



### Washing machine angle valve

- Ceramic headpart 90° turn
- Equipped with filters
- 1/2" – 3/4"

15.020.02.00







VIDEO



# MT PLUS



NF ACS BYGGFORSK

### Washbasin mixer

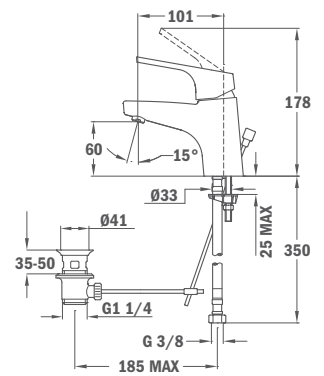
- Automatic metal pop-up waste
- 3/8" flexible inlet pipes
- Anti-scale aerator

### DITTO, without pop-up waste

REF.

46.342.02.00

46.346.02.00



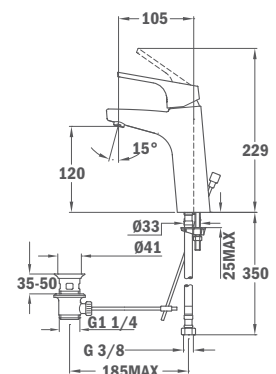
NEW



### Washbasin mixer L size

- Automatic metal pop-up waste
- 3/8" flexible inlet pipes
- Anti-scale aerator with water saving and anti-splash system (5 l/m)

46.382.02.50





# MT PLUS



ACS 

**Bidet mixer**

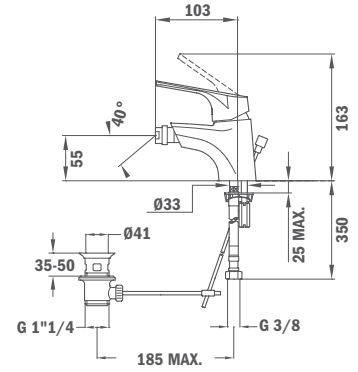
- Automatic metal pop-up waste
- 3/8" flexible inlet pipes
- Anti-scale aerator

**DITTO, without pop-up waste**

REF.

46.622.02.00

46.626.02.00



ACS 

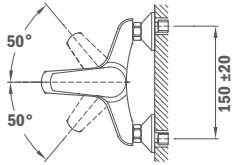
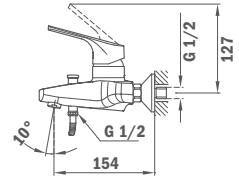
**Bath/shower mixer**

- With Basic shower set R13.184.00
- Equipped with noise reducers
- Anti-scale aerator

**DITTO, without shower set**

46.122.02.00

46.121.02.00





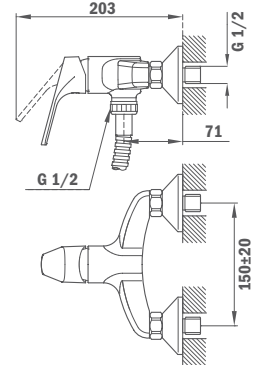
**Shower mixer**

- With Basic shower set R13.184.00
- Equipped with noise reducers

**DITTO, without shower set**

46.232.02.00

46.231.02.00

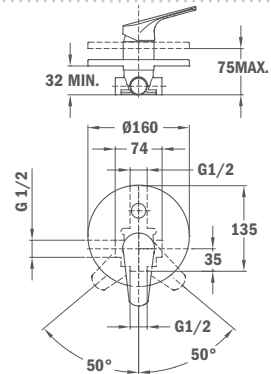


ACS

**2 ways concealed mixer**

- Without shower set
- Concealed part included
- 40mm cartridge

46.171.02.00

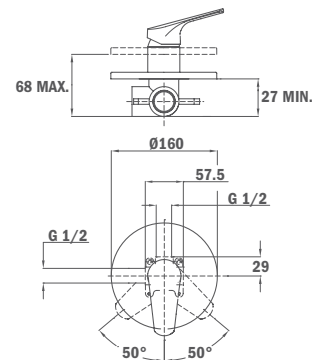


ACS

**1 way concealed mixer**

- Without shower set
- Concealed part included
- 40mm cartridge

46.241.02.00



# MT PLUS



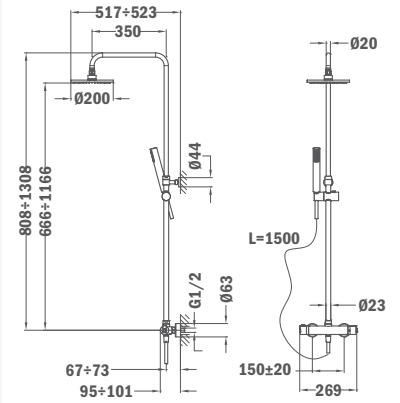
### Thermostatic Shower System

- Thermostatic shower mixer with upper outlet.
- Thermostatic mixer with safety temperature stop at 38°C
- Integrated automatic diverter
- Adjustable round telescopic rail:
  - Min. height: 800mm
  - Max. height: 1300mm
- Disk II shower head 200mm with anti-scale system
- Stick hand shower with anti-scale system
- High quality metal flexible shower hose 1,5m
- Adjustable hand shower holder
- Check valves protected by filters



REF.

46.238.02.00

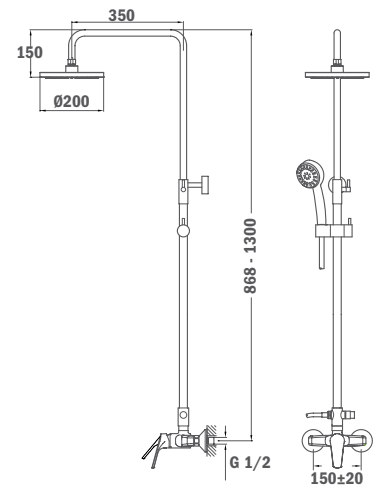


### Bath-shower system

- Shower mixer with upper outlet
- Automatic diverter
- Adjustable round telescopic rail:
  - Min. height: 800mm
  - Max. height: 1300mm
- Disk II shower head 200mm with anti-scale system
- 3 functions Stylo Sport hand shower with anti-scale system
- High quality metal flexible shower hose 1,5m
- Adjustable hand shower holder



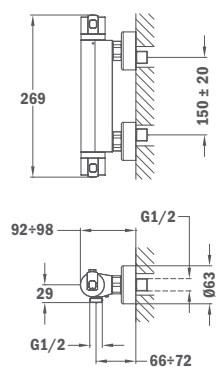
46.298.02.00



### Thermostatic shower mixer

- ECO button
- With safety temperature stop at 38° C
- Check valves protected by filters
- Without shower set

46.291.02.00



# MT PLUS

· NEW ·



**Combo**

- Washbasin mixer 46.342.02.00
- Bath/shower mixer 46.121.02.00
- Shower set 79.002.86.00

**REF.**

46.710.12.00



· NEW ·



**Combo**

- Washbasin mixer 46.382.02.50
- Bath/shower mixer 46.121.02.00
- Shower set 79.002.86.00

46.711.02.00



**Basic anti-scale shower set**

- 1 function

R13.184.00





# INCA PRO

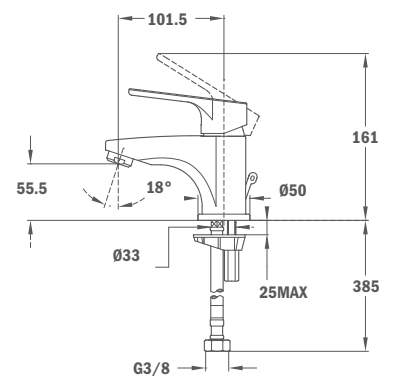


### Washbasin mixer

- Without pop-up waste
- Anti-scale aerator with water flow limiter 5 l/min
- Saves up to 60% water
- 3/8" flexible inlet pipes

REF.

27.346.02.00



NF ACS

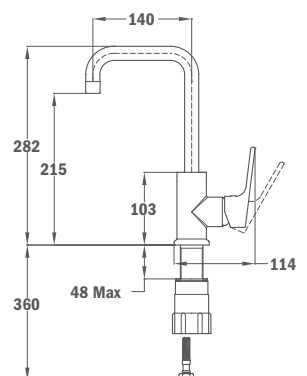
· NEW ·



### Tall Washbasin mixer

- Without pop-up waste
- 3/8" flexible inlet pipes
- Anti-scale aerator with water flow limiter 5 l/min
- Saves up to 60% water
- Quick and easy installation

27.376.02.00



# INCA PRO



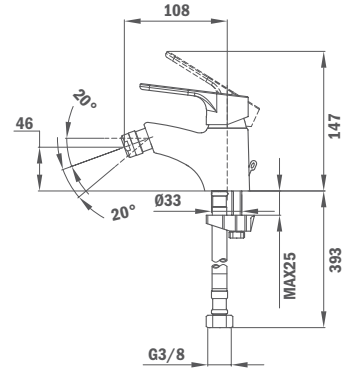
**Bidet mixer**

- Without pop-up waste
- 3/8" flexible inlet pipes
- Anti-scale aerator



**REF.**

27.626.02.00

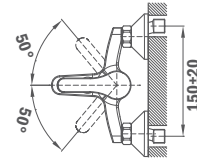
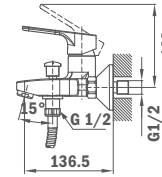


**Bath/shower mixer**

- With Basic shower set R13.184.00
- Equipped with noise reducers
- Anti-scale aerator



27.122.02.00

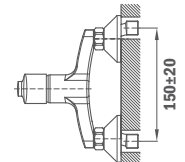
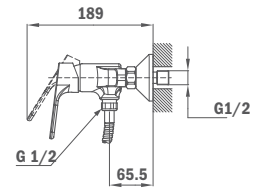


**Shower mixer**

- With Basic shower set R13.184.00
- Equipped with noise reducers



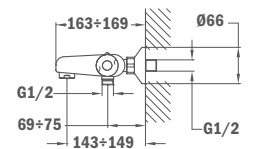
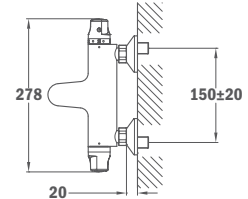
27.232.02.00



**Thermostatic Bath shower mixer**

- Automatic diverter in water outlet handle
- With safety temperature stop at 38° C
- Check valves protected by filters
- Without shower set
- Anti-scale aerator

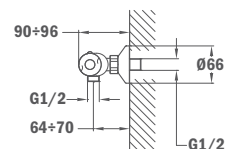
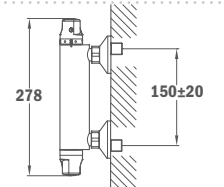
27.101.02.00



**Thermostatic shower mixer**

- With safety temperature stop at 38° C
- Check valves protected by filters
- Without shower set

27.201.02.00





# INCA



### Washbasin mixer

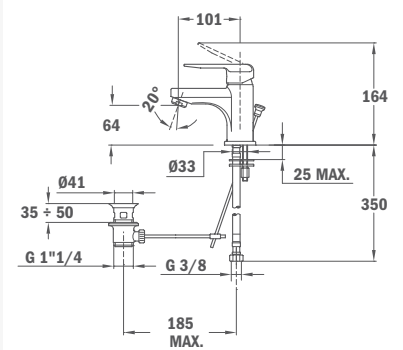
- Automatic metal pop-up waste
- 3/8" flexible inlet pipes
- Anti-scale aerator

### DITTO, without pop-up waste

#### REF.

53.342.12

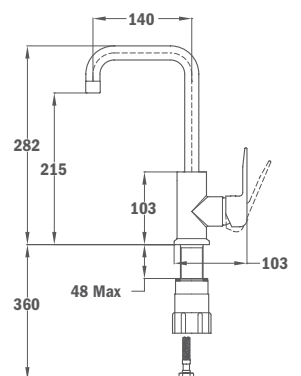
53.346.12



### Tall Washbasin mixer

- Without pop-up waste
- 3/8" flexible inlet pipes
- Anti-scale aerator with water flow limiter 5 l/min
- Saves up to 60% water
- Quick and easy installation

53.376.02.00



· NEW ·



# INCA



**Bidet mixer**

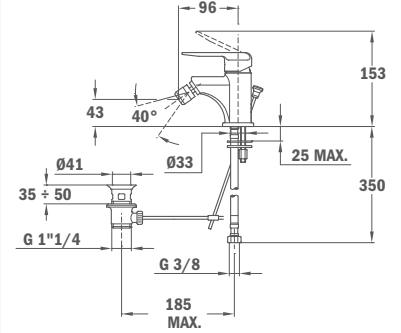
- Automatic metal pop-up waste
- Ball-joint anti-scale aerator
- 3/8" flexible inlet pipes

**DITTO, without pop-up waste**

**REF.**

53.622.12

53.626.12



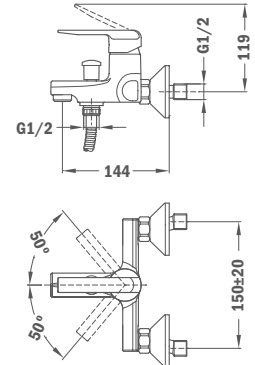
**Bath/shower mixer**

- With BASIC shower set
- Equipped with noise reducers

**DITTO, without shower set**

53.102.12

53.101.12



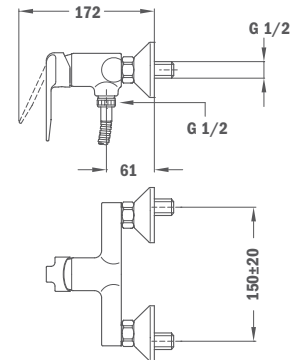
**Shower mixer**

- With BASIC shower set
- Equipped with noise reducers

**DITTO, without shower set**

53.232.12

53.231.12



**2 ways concealed mixer**

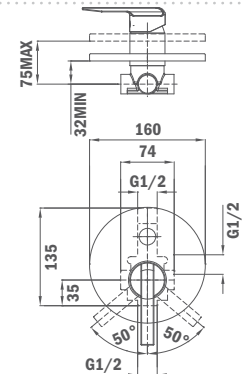
- Without shower set
- Concealed part included. 40mm cartridge

**1 way concealed mixer**

- Without shower set
- Concealed part included. 40mm cartridge

53.171.12

53.241.12



· NEW ·



**Combo**

- Washbasin mixer 53.346.12
- Bath/shower mixer 53.101.12
- Shower set 79.002.80.00

53.719.02.00



# INCA

· NEW ·



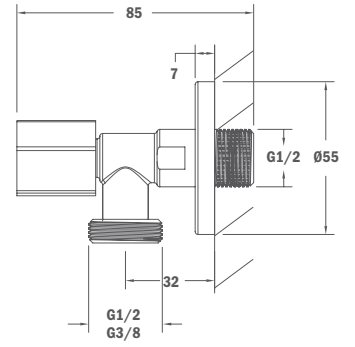
- Ceramic angle valve**
- Ceramic headpart 90° turn
  - Equipped with filters
  - 1/2" – 1/2"

**DITTO 1/2" – 3/8"**

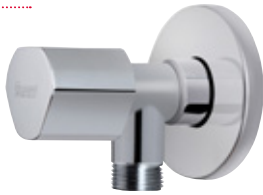
REF.

15.018.12.00

15.019.12.00

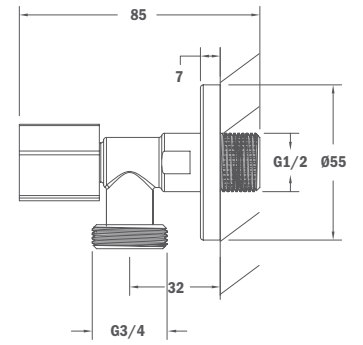


· NEW ·



- Washing machine angle valve**
- Ceramic headpart 90° turn
  - Equipped with filters
  - 1/2" – 3/4"

15.020.12.00







COLD TAPS  
SERIES

---



# COLD TAPS SERIES



· NEW ·



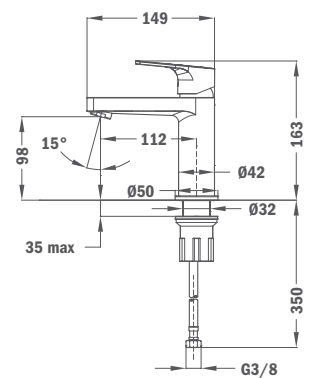
## Cold tap

- Without pop-up waste
- Anti-scale aerator
- 1/2" flexible inlet pipe included
- Quick and easy installation



REF.

84.511.12.00



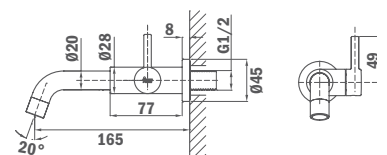
· NEW ·



## IN 148 Exposed washbasin Cold tap

- Equipped with ceramic cartridge

16.148.02.00



# COLD TAPS SERIES

· NEW ·

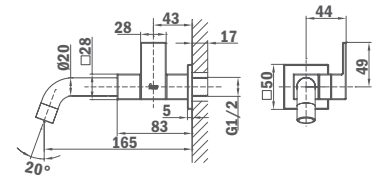


## IN 156 Exposed washbasin Cold tap

- Equipped with ceramic cartridge

REF.

16.156.02.00



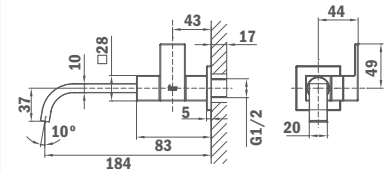
· NEW ·



## IN 153 Exposed washbasin Cold tap

- Equipped with ceramic cartridge
- Cascade Spout

16.153.02.00



· NEW ·



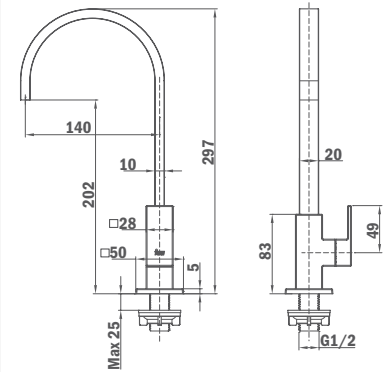
## IN 152 Exposed washbasin Cold tap

- Equipped with ceramic cartridge
- Cascade swivel spout
- With 1/2" flexible hose

16.152.02.10

## Ditto without flexible hose

16.152.02.00



· NEW ·



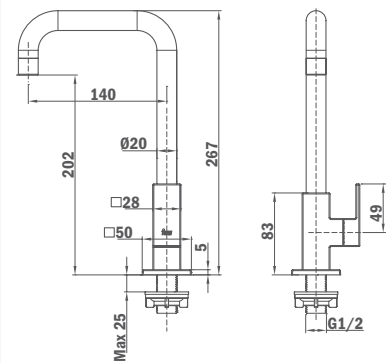
## IN 151 Exposed washbasin Cold tap

- Equipped with ceramic cartridge
- With 1/2" flexible hose

16.151.02.10

## Ditto without flexible hose

16.151.02.00



· NEW ·



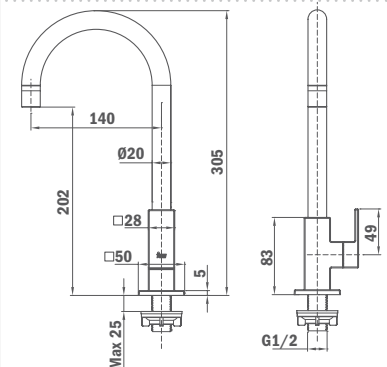
## IN 155 Exposed washbasin Cold tap

- Equipped with ceramic cartridge
- With 1/2" flexible hose

16.155.02.10

## Ditto without flexible hose

16.155.02.00



# COLD TAPS SERIES

· NEW ·



**IN 154 Exposed washbasin Cold tap**

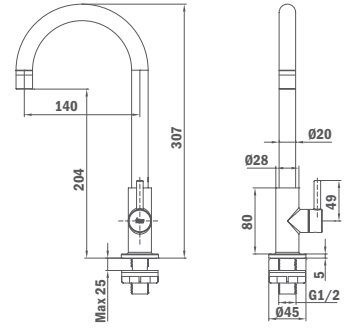
- Equipped with ceramic cartridge
- With 1/2" flexible hose

**Ditto without flexible hose**

REF.

16.154.02.10

16.154.02.00



· NEW ·



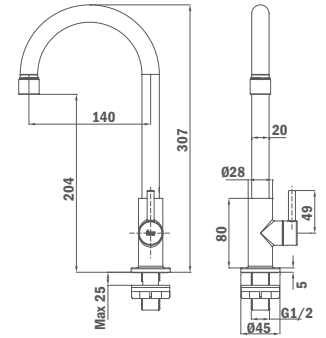
**IN 149 Exposed washbasin Cold tap**

- Equipped with ceramic cartridge
- With 1/2" flexible hose

**Ditto without flexible hose**

16.149.02.10

16.149.02.00





## SPECIAL TAPS

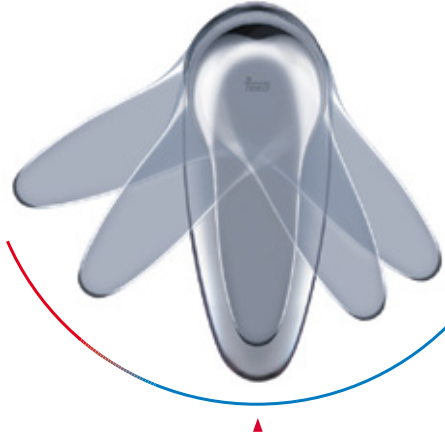
---

ECO TEKA  
PAGE 119

MEDICAL TAPS  
PAGE 121

# More advantages

You save water and energy without even noticing.



ECO cartridge: gives only cold water when opening in central position of the handle

Its functioning is identical to the other washbasin mixers, without mechanisms that hinder the smooth movement of the handle.

## ECO SYSTEM



### ENERGY SAVING



Although you normally only need cold water when using a washbasin mixer, you often open it with the handle in central position, therefore mixing cold and hot water. This way, you request hot and cold water, activating the boiler and wasting the energy to heat that unnecessary water.

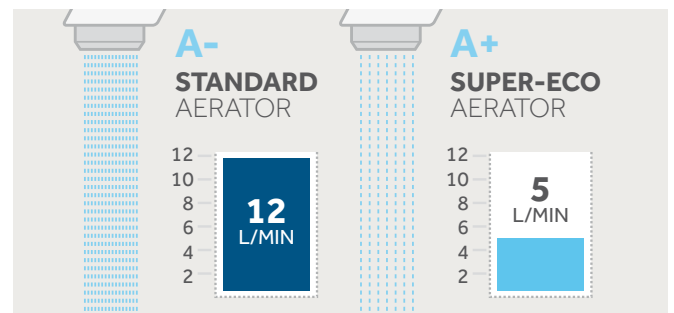


### WATER SAVING - from 12 to 8 or 5 litres per minute

Although you normally only need cold water when you use a basin mixer, you usually open it with the handle in its central position, therefore unnecessarily mixing cold and hot water and thus wasting water heating energy.

Our ECO system avoids that waste of energy by starting mixing hot water only after the central position of the handle.

ECO SINGLE LEVER MIXER	OTHER SINGLE LEVER MIXER
 <p>COLD</p>	 <p>HOT</p>
<p>Our ECO system avoids that waste of energy by starting to mix hot water only when you shift the handle to the left.</p>	



With a standard mixer, the average water flow goes from 12 to 16 liters/minute, depending on the pressure. Thanks to a flow limiter located at the aerator of our ECO mixers, the flow does not surpass 5 liters/minute, regardless of how high the pressure is.

Water consumption of standard showers varies very much, but it often surpasses 20 liters per minute. Incorporating a water flow regulator between the shower mixer and the flexible hose limits the consumption to 5 liters per minute.

# NATURAL SAVING

## ECO-TEKA



ACS BYGGFORSK

### ECO Washbasin mixer ARES:

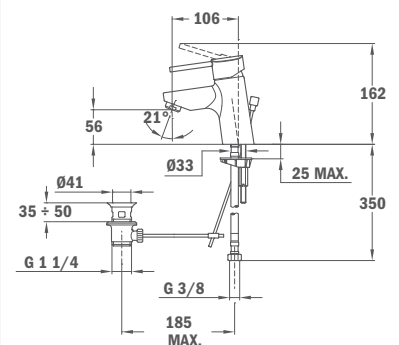
- With ECO cartridge
- Aerator with pressure compensating flow regulator 5 l/min
- Automatic metal pop-up waste
- Flexible inlet pipes 3/8"

### DITTO, without pop-up waste

REF.

23.342.E2.00

23.346.E2.00

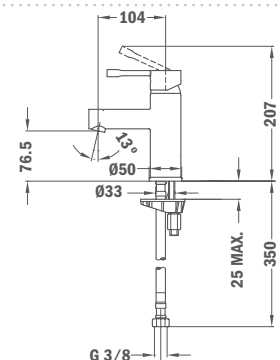


ACS

### ECO Washbasin mixer ALAIOR XL:

- Anti-scale aerator with water flow limiter 5 l/min
- ECO cartridge gives only cold water when opening in central position of the handle
- Without pop-up waste
- 3/8" flexible inlet pipes
- Anti-scale aerator

22.346.E2.00

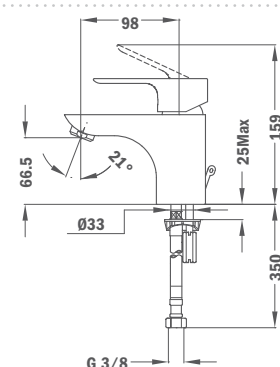


ACS

### ECO Washbasin mixer CALVIA:

- Anti-scale aerator with water flow limiter 5 l/min
- ECO cartridge gives only cold water when opening in central position of the handle
- Without pop-up waste
- 3/8" flexible inlet pipes
- Anti-scale aerator

32.346.E2.00



# ECO-TEKA

## ECO KIT, make your home "ECO"



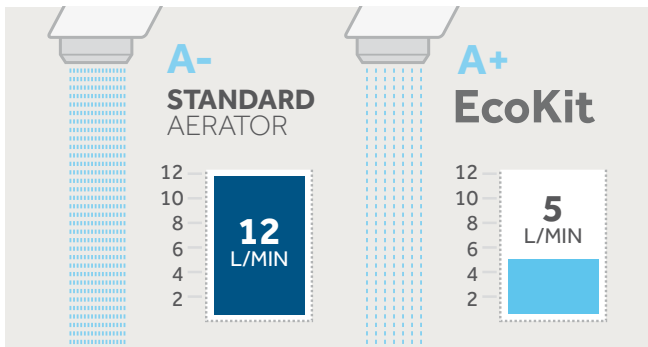
### Kit ECO

- 3 anti-scale aerators which limit water flow to 5 liters/minute. For washbasin, bidet and kitchen taps
- One water flow regulator for shower hose in bath and shower mixers. Limits water consumption to 9 liters/minute

### REF.

10.350.00

### UP TO 50% SAVING

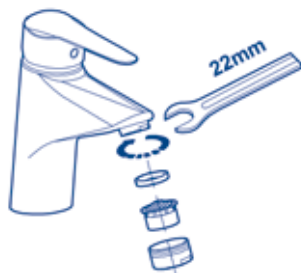


\* Average water consumption of a washbasin mixer in Spain.

A quick and easy way to save water and energy without changing your taps. **By incorporating an aerator with a flow regulator you can save up to 50% of the water** you would consume otherwise.

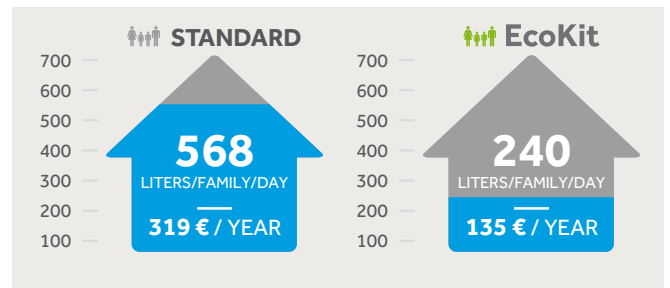
This way, **you contribute to protecting the environment while keeping a smooth and comfortable water stream** thanks to the air injection system installed in the aerator. Saving water and money has never been so easy. **Very quick and easy to install.**

### QUICK AND EASY INSTALLATION



Installation is fast and easy, only by changing the aerator we will save water immediately.

### MAKE YOUR HOME "ECO"



Average water consumption person/day: **142 liters**  
Average daily water consumption per family: **568 liters**

Average water consumption person/day: **60 liters**  
Average daily water consumption per family: **240 liters**

Figures given as an example of water saving in a standard Spanish household with four people.

Water cost = 1,54 €/m<sup>3</sup> (\*)

For this study we have taken into account that each person in the house uses an average of 14 minutes of water a day including washbasin, shower and sink mixers.

Average water consumption a person a day = 142 liters (\*)

(\*) Source: Spanish National Statistics Bureau.

### CONTENT



#### Aerators

with flow limiter for Washbasin, bidet and sink mixers.



#### Water flow regulator

to be installed between the bath/shower or shower mixer and the flexible hose.





# MEDICAL TAPS

· NEW ·

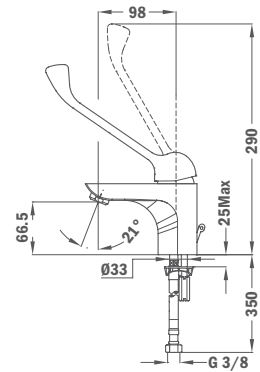


## Medical Washbasin mixer

- Without pop up waste
- Anti-scale aerator
- 3/8" flexible input pipes
- Medical handle

REF.

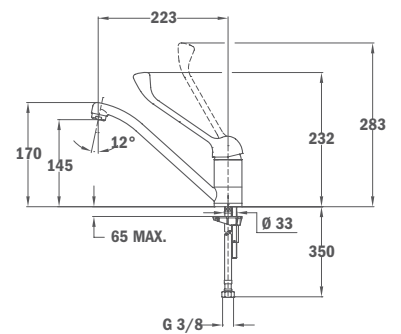
32.346.17.50



## Medical sink mixer

- Swivel Spout
- Anti-scale aerator
- 3/8" flexible input pipes
- Medical handle

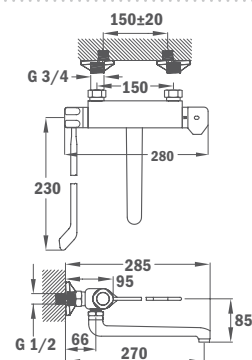
80.913.17



## Medical Thermostatic mixer

- With safety temperature stop at 38° C
- Check valves protected by filters
- Without shower set
- Medical handle
- Swivel spout

18.208.17.00







## SHOWER TRAYS

---

Strong, durable and easy to clean. Manufactured in Spain according to the strictest TEKA safety standards. Our shower trays, either made of smooth or slate material, meet all anti-slip requirements for safe showers.



# Teka Shower Trays

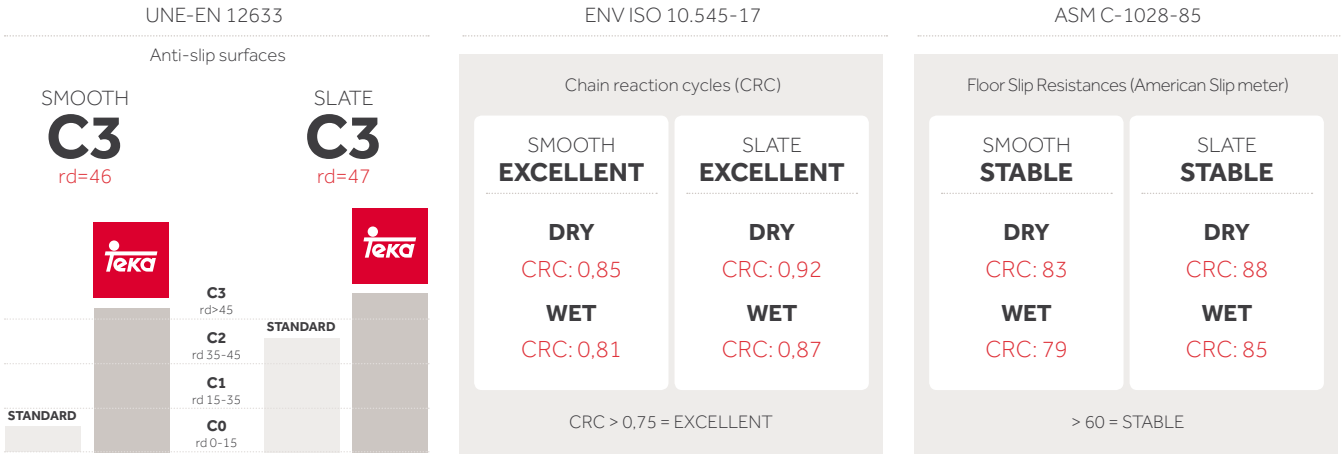
The Teka extra-flat shower trays **are made in Spain** using an innovative state-of-the-art material of the highest quality crosslinked polymers and minerals. The **Gel-Coat PREMIUM** coating vastly improves current standards, providing an exceptional anti-slip surface even in smooth surfaces, rendering Teka shower trays one of the safest in the market.



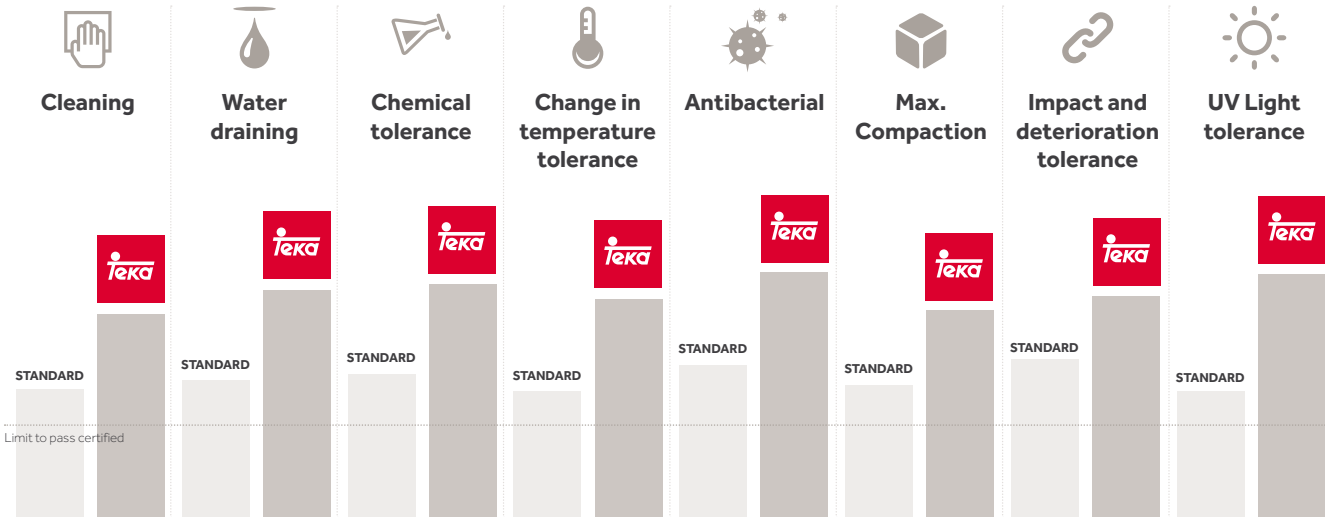


EXTRA SAFE

## An extra safety in Smooth and Slate



## Top ratings UNE-EN 14527





MADE IN SPAIN · S · MADE IN SPAIN

# Showers Trays

## FINISHES

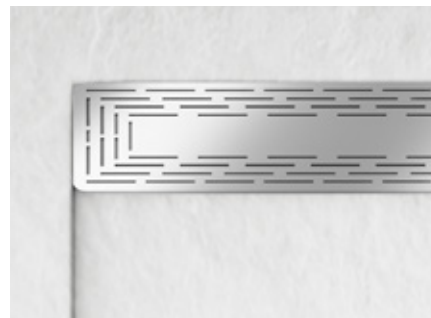


**Smooth**



**Slate**

## POLISHED STEEL GRIDS



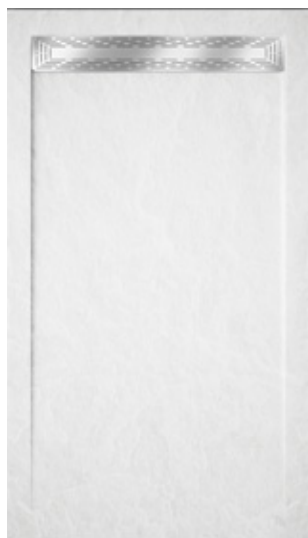
## MODELS



**Icon TK**



EXTRA **SAFE**



**Icon Slate\***



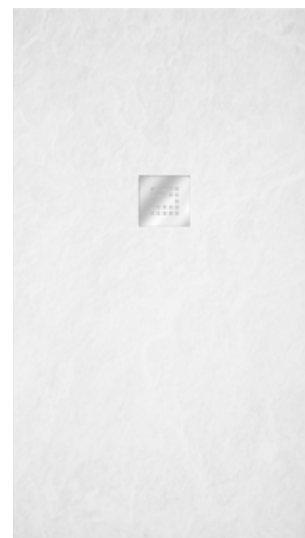
EXTRA **SAFE**



**Cuadro**



EXTRA **SAFE**

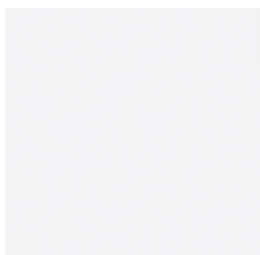


**Inca**

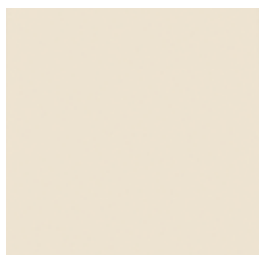


**SAFE**

## COLORS



**White (W)**



**Beige (B)\*\***



**Cement (C)\*\***



**Tortora (T)\*\***



**Graphite (G)\*\***

\* Icon offers more than one option in terms of appearance and finishes. The photo shows only one of the options available.

\*\* Colours on demand

# Shower Trays



SAFE

### INCA Shower Tray

- Slate texture
- Anti-slip surface (C2)
- Thickness: 3cm

### Colors

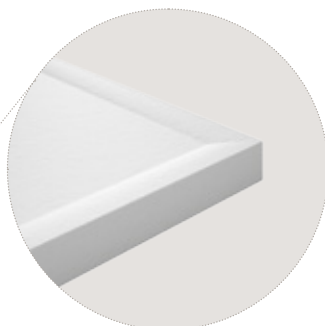
- White (W)
- Graphite (G)

LENGTH (cm)

WIDTH (cm)	80	90	100	110	120	130	140	150	160	170	180	190	200
70	P53P0870W	P53P0970W	P53P1070W	P53P1170W	P53P1270W	P53P1370W	P53P1470W	P53P1570W	P53P1670W	P53P1770W	P53P1870W	P53P1970W	P53P2070W
80	P53P0880W	P53P0980W	P53P1080W	P53P1180W	P53P1280W	P53P1380W	P53P1480W	P53P1580W	P53P1680W	P53P1780W	P53P1880W	P53P1980W	P53P2080W
90	P53P0890W	P53P0990W	P53P1090W	P53P1190W	P53P1290W	P53P1390W	P53P1490W	P53P1590W	P53P1690W	P53P1790W	P53P1890W	P53P1990W	P53P2090W
100	P53P0810W	P53P0910W	P53P1010W	P53P1110W	P53P1210W	P53P1310W	P53P1410W	P53P1510W	P53P1610W	P53P1710W	P53P1810W	P53P1910W	P53P2010W



EXTRA SAFE



### CUADRO Shower Tray

- Slate texture
- Anti-slip surface (C3)
- Thickness: 3cm
- Shower Tray with ledge

### Colors

- White (W)
- Beige (B)
- Cement (C)
- Tortora (T)
- Graphite (G)

LENGTH (cm)

WIDTH (cm)	120	140	160	180
70	P38P1270W	P38P1470W	P38P1670W	P38P1870W
80	P38P1280W	P38P1480W	P38P1680W	P38P1880W



# Shower Trays



**C3**

EXTRA  
SAFE

## ICON SLATE Shower Tray

- Slate texture
- Anti-slip surface (C3)
- Thickness: 3cm

### Colors

- White (W)
- Beige (B)
- Cement (C)
- Tortora (T)
- Graphite (G)

LENGTH (cm)

WIDTH (cm)	120	140	150	160	170	190
70	P33P1270W	P33P1470W	P33P1570W	P33P1670W	P33P1770W	P33P1970W
80	P33P1280W	P33P1480W	P33P1580W	P33P1680W	P33P1780W	P33P1980W



**C3**

EXTRA  
SAFE

## ICON TK Shower Tray

- Smooth texture
- Anti-slip surface (C3)
- Thickness: 3cm

### Colors

- White (W)
- Beige (B)
- Cement (C)
- Tortora (T)
- Graphite (G)

LENGTH (cm)

WIDTH (cm)	120	140	160	180
70	P33L1270W	P33L1470W	P33L1670W	P33L1870W
80	P33L1280W	P33L1480W	P33L1680W	P33L1880W

## Valves



### TRV valve

- 3 screws
- Metallic ring ø90

REF. 11.079.00



### T-3 mini Valve

- 3 screws
- ø60

REF. 11.078.00

### IMPORTANT

- If you wish to order a tray in a colour other than white, please replace the letters **W** with those pertaining to the colour you require (**B, C, T or G**).
- Maximum delivery time for non-white trays: 4 weeks.





## TEKA SHOWER ENCLOSURES

---

Add a minimalist touch to your bathroom. In fixed and sliding enclosures alike, the range of sizes in five different models will adapt to all sizes and spaces. Manufactured in Spain to the highest quality standard as expected from TEKA brand.



MADE IN SPAIN ·  
**S** ·  
MADE IN SPAIN

# Teka shower enclosures:

## An easier way to enjoy your shower.



Teka enclosures meet our objective: to offer luxury at affordable prices. Whether fixed or sliding, features and functionality combine to optimise space in the most elegant manner. Space and mobility are features of our shower screens and, being made in Spain, they can be adapted to your needs and those of your customers. Tell us what you need: Teka will provide the solution.



### Teka Enclosures

- Contemporary design.
- Luxury and minimalism in any bathroom.
- Easy and safe shower access.
- Tempered safety glass between 6 and 8mm thick.
- Broad range of sizes available.
- Glass panels with anti-limescale system to ease maintenance and ensure longer lasting shine.
- Easy to install.
- Available with aluminium rod at 45° or 90°.
- Includes wall fixture to level out space.
- All parts made in Spain.

### FINISHES



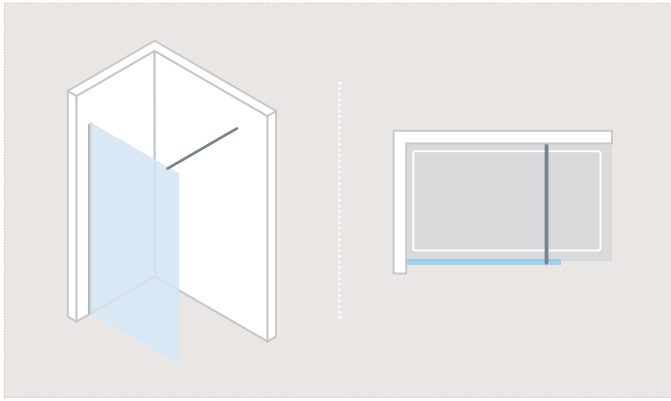
**Clear Glass**



**Decorated Glass**

Please ask for other models of decorating styles.

# Shower Enclosures



## 6MM Timor Fixed Panel

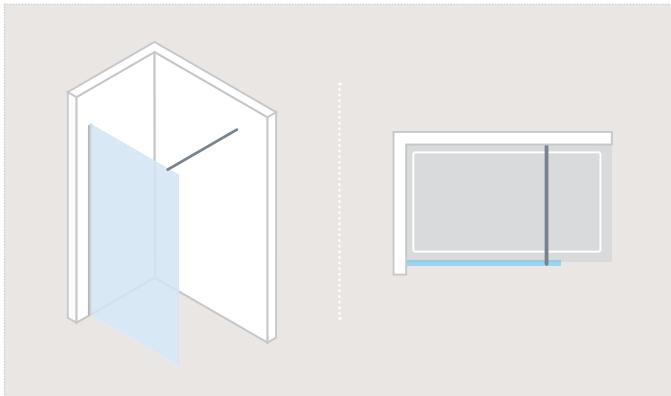
- Tempered and safety 6mm glass
- Standard height: 1.95m
- High gloss aluminium finish
- Adjustable arm 90°
- Dimensions from 80 to 120cm

### Models

- Clear
- Decorated (under request)

### DIMENSIONS (cm)

GLASS	80	90	100	110	120
<b>Clear</b>	MTI080CL6	MTI090CL6	MTI100CL6	MTI110CL6	MTI120CL6
<b>Decorated</b>	MTI080GL6	MTI090GL6	MTI100GL6	MTI110GL6	MTI120GL6



## 8MM Timor Fixed Panel

- Tempered and safety 8mm glass
- Standard height: 1.95m
- High gloss aluminium finish
- Adjustable arm 90°
- Dimensions from 80 to 120cm

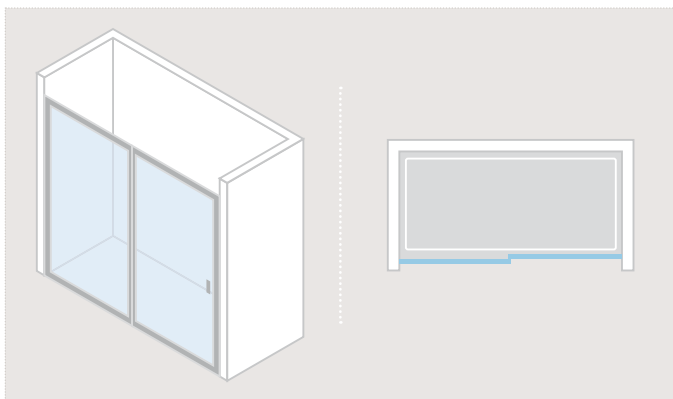
### Models

- Clear
- Decorated (under request)

### DIMENSIONS (cm)

GLASS	80	90	100	110	120
<b>Clear</b>	MTI080CL8	MTI090CL8	MTI100CL8	MTI110CL8	MTI120CL8
<b>Decorated</b>	MTI080GL8	MTI090GL8	MTI100GL8	MTI110GL8	MTI120GL8

# Shower Enclosures



### Sliding enclosure TALAIA 2 panels

- Tempered and safety 6mm glass
- Aluminium profile
- Upper bearing system
- Standard height: 1.95m
- High gloss aluminium finish
- Magnetic lock
- Without down guide
- Expansion frame with 2,5cms allowance each side
- Dimensions from 100 to 180cm

### Models

- Clear
- Decorated (under request)

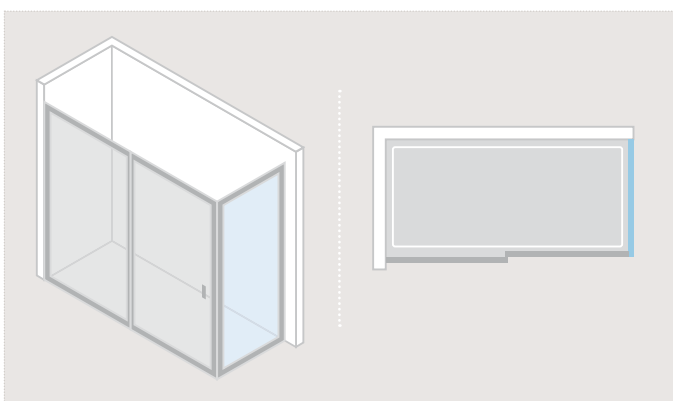
### DIMENSIONS (cm)

GLASS	Until 100	100-105	105-110	110-115	115-120	120-125	125-130
<b>Clear</b>	MT1100CL6	MT1105CL6	MT1110CL6	MT1115CL6	MT1120CL6	MT1125CL6	MT1130CL6
<b>Decorated</b>	MT1100GL6	MT1105GL6	MT1110GL6	MT1115GL6	MT1120GL6	MT1125GL6	MT1130GL6

### DIMENSIONS (cm)

130-135	135-140	140-145	145-150	150-155	155-160
MT1135CL6	MT1140CL6	MT1145CL6	MT1150CL6	MT1155CL6	MT1160CL6
MT1135GL6	MT1140GL6	MT1145GL6	MT1150GL6	MT1155GL6	MT1160GL6

For other dimensions, please request



### Fixed panel for sliding enclosure TALAIA 2 panels

- Tempered and safety 6mm glass
- Aluminium profile
- Upper bearing system
- Standard height: 1.95m
- High gloss aluminium finish
- Magnetic lock
- Without down guide
- Expansion frame with 2,5cms allowance
- Dimensions from 50 to 120cm

### Models

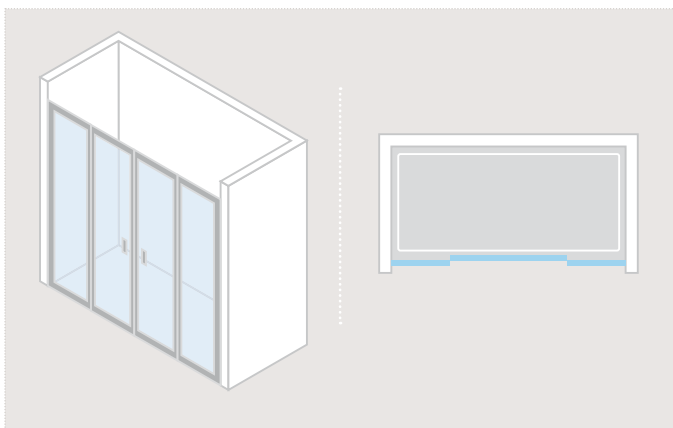
- Clear
- Decorated (under request)

### MEASURE (cm)

GLASS	70	80	90
<b>Clear</b>	MTS070CL6	MTS080CL6	MTS090CL6
<b>Decorated</b>	MTS070GL6	MTS080GL6	MTS090GL6

For other dimensions, please request

# Shower Enclosures



### Sliding enclosure TALAIA 4 panels

- Tempered and safety 6mm glass
- Aluminium profile
- Upper bearing system
- Standard height: 1.95m
- High gloss aluminium finish
- Magnetic lock
- Without down guide
- Expansion frame with 2,5cms allowance each side
- Dimensions to 240cm

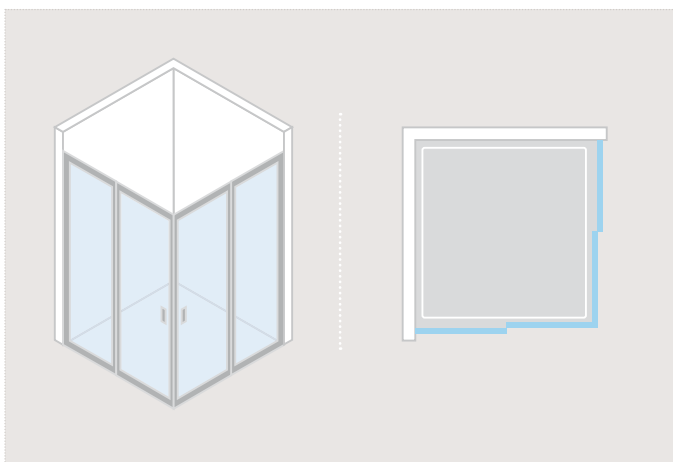
#### Models

- Clear
- Decorated (under request)

#### DIMENSIONS (cm)

GLASS	Until 160	160-165	165-170	170-175	175-180	180-185	185-190	190-195	195-200
<b>Clear</b>	MT2160CL6	MT2165CL6	MT2170CL6	MT2175CL6	MT2180CL6	MT2185CL6	MT2190CL6	MT2195CL6	MT2200CL6
<b>Decorated</b>	MT2160GL6	MT2165GL6	MT2170GL6	MT2175GL6	MT2180GL6	MT2185GL6	MT2190GL6	MT2195GL6	MT2200GL6

For other dimensions, please request



### Angular sliding enclosure TALAIA

- Tempered and safety 6mm glass
- Aluminium profile
- Upper bearing system
- Standard height: 1.95m
- High gloss aluminium finish
- Magnetic lock
- Without down guide
- Expansion frame with 2,5cms allowance each side
- Dimensions from 70 to 160cm

#### Models

- Clear
- Decorated (under request)

#### DIMENSIONS (cm)

GLASS	70	75	80	90	100
<b>Clear</b>	MTA070CL6	MTA075CL6	MTA080CL6	MTA090CL6	MTA100CL6
<b>Decorated</b>	MTA070GL6	MTA075GL6	MTA080GL6	MTA090GL6	MTA100GL6

For other dimensions, please request





## BATHROOM ACCESSORIES

---

Alaior and Formentera accessories ranges give the final touch of distinction to your bathroom.

Soap dishes, towel bars, holders, ..., minor components which make the difference between a bathroom without distinction and an useful and aesthetic one.

FORMENTERA  
PAGE 138

ALAIOR  
PAGE 140

# Formentera

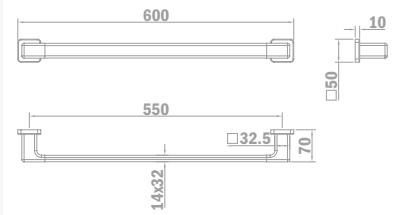
**Towel holder**

- Metallic
- 600mm



REF.

17.076.02.00

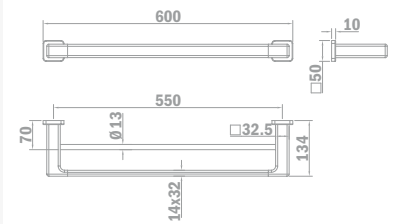


**Towel holder**

- Metallic
- 600mm

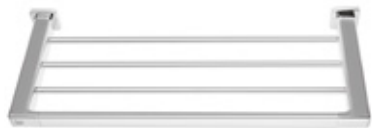


17.077.02.00

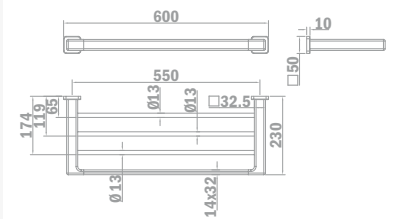


**Triple towel holder**

- Metallic
- 600mm



17.078.02.00

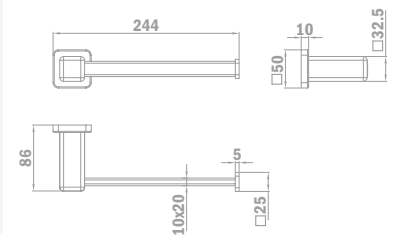


**Robe hook**

- Metallic
- 244mm



17.079.02.00

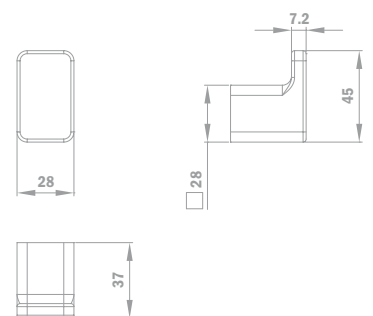


**Robe hook**

- Metallic



17.080.02.00



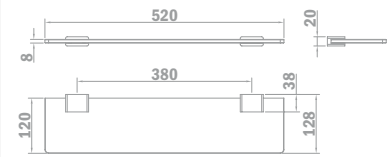
# Formentera

**Glass shelves**

- Secure tempered glass



REF. 17.084.02.00

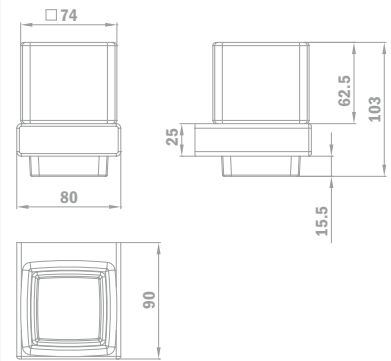


**Tumbler holder with glass**

- Ceramic glass



17.081.02.00

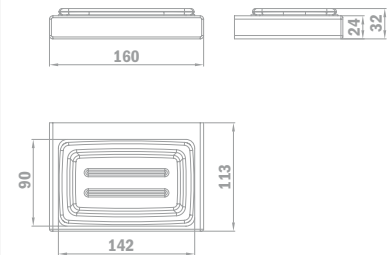


**Soap dish**

- Ceramic glass



17.082.02.00

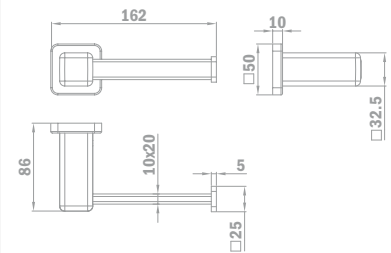


**Toilet paper holder**

- Metallic

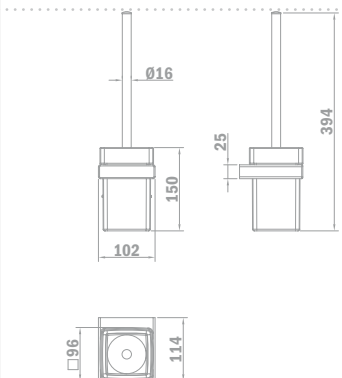


17.083.02.00



**WC toilet brush with holder**

17.085.02.00



# Alaior

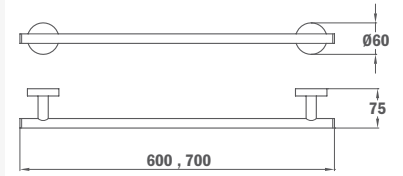
**Towel bar**

- Metallic
- 600mm



REF.

17.061.02.00

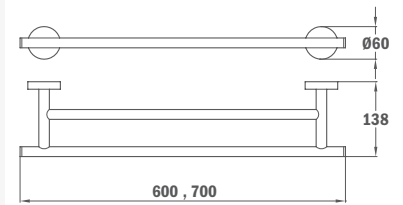


**Towel bar**

- Metallic
- 600mm



17.062.02.00

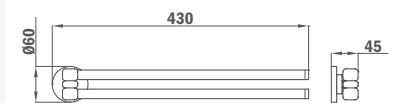


**Two-layer movable towel rack**

- Metallic



17.070.02.00

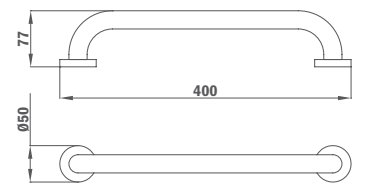


**Grab bar**

- Metallic
- 400mm



17.069.02.00

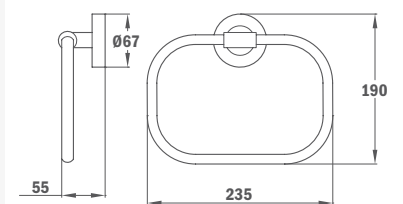


**Towel ring**

- Metallic
- 235mm



17.063.02.00



# Alaior

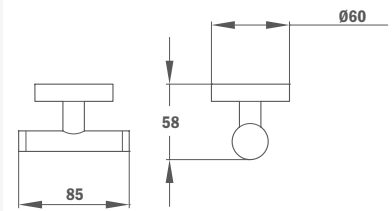
**Double robe hook**

- Metallic



REF.

17.065.02.00

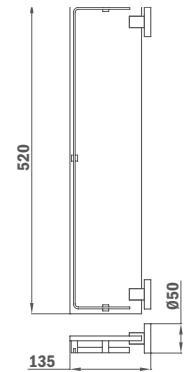


**Glass Shelves**

- Metallic
- Secure tempered glass
- 520mm



17.074.02.00

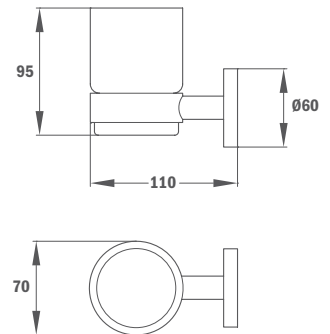


**Tumbler holder with glass**

- Metallic
- Glass



17.066.02.00

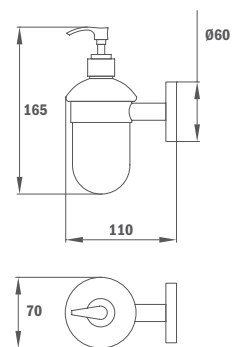


**Soap dispenser**

- Metallic
- Secure template glass



17.075.02.00

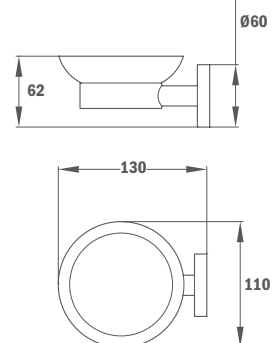


**Soap dish with holder**

- Metallic
- Glass soap dish

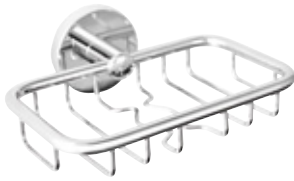


17.067.02.00

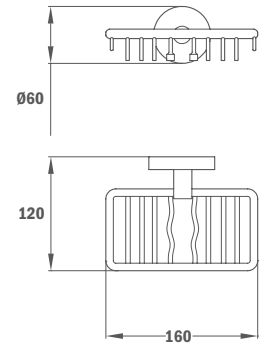


# Alaior

**Soap dish**  
• Metallic



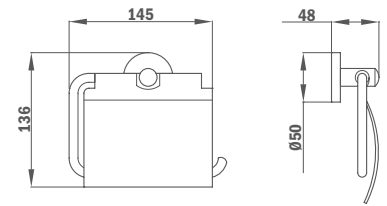
**REF.**  
17.064.02.00



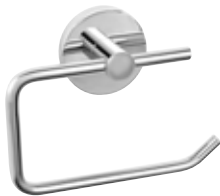
**Toilet paper with lid**  
• Metallic



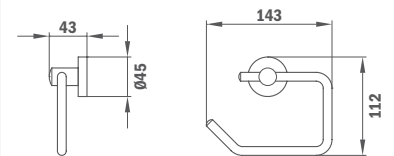
17.072.02.00



**Toilet paper without lid**  
• Metallic



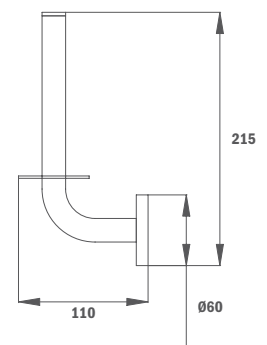
17.071.02.00



**Toilet paper without lid**  
• Metallic



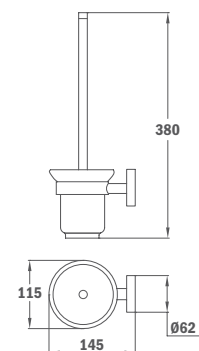
17.073.02.00



**WC toilet brush with holder**  
• Metallic  
• Secure template glass



17.068.02.00



# Alaior

· NEW ·



## Combo Bath Accesories

- Towel bar
- Towel ring
- Double robe hook
- Glass soap dish with holder
- Toilet paper with lid

REF.

17.089.02.00





## CONCEALED WC FLUSHING SYSTEM





# Concealed WC flushing systems

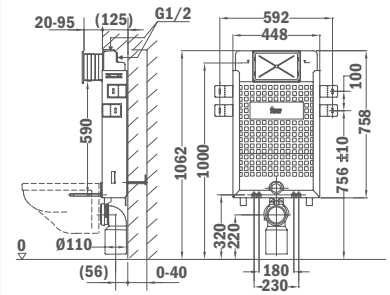


### Tekmodul 1

- Dual cistern 3-6 litres
- 100% waterproof
- Max. Tank capacity: 9 litres
- Max. weight support: 400 kgs
- WC fixing at 180 - 230mm.
- For floor-standing and wall-hung WCs
- Concealed cistern fully insulated against condensation
- Water supply connection on the rear or top side
- Push button depth adjustment: 20-95mm
- Height adjustment: 0-200mm
- Tool-free maintenance work

REF.

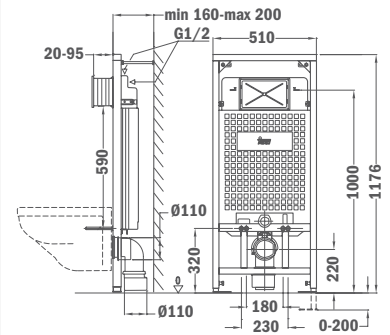
73.200.02.00



### Tekmodul 2

- Dual cistern 3-6 litres
- 100% waterproof
- Max. Tank capacity: 9 litres
- Max. weight support: 400 kgs
- WC fixing at 180 - 230mm.
- For floor-standing and wall-hung WCs
- Concealed cistern fully insulated against condensation
- Water supply connection on the rear or top side
- Push button depth adjustment: 20-95mm
- Height adjustment: 0-200mm
- Tool-free maintenance work

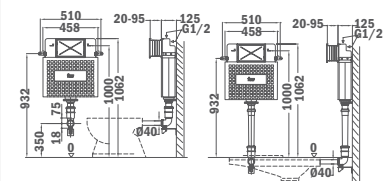
73.100.02.00



### Tekmodul 3

- Dual cistern 3-6 litres
- 100% waterproof
- Max. Tank capacity: 9 litres
- Max. weight support: 400 kgs
- WC fixing at 180 - 230mm.
- For floor-standing and wall-hung WCs
- Concealed cistern fully insulated against condensation
- Water supply connection on the rear or top side
- Push button depth adjustment: 20-60mm
- Tool-free maintenance work

73.400.02.00



# Concealed WC flushing systems

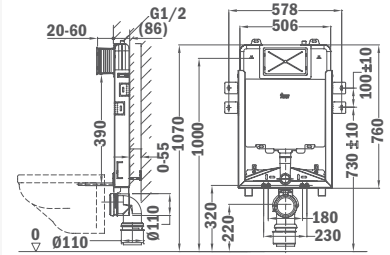


### Tekmodul Slim 1

- Installation depth: 86mm
- Dual cistern 3-6 litres
- 100% waterproof
- Max. Tank capacity: 9 litres
- Max. weight support: 400 kgs
- WC fixing at 180 - 230mm.
- For floor-standing and wall-hung WCs
- Concealed cistern fully insulated against condensation
- Water supply connection on the rear or top side
- Push button depth adjustment: 20-60mm
- Tool-free maintenance work

REF.

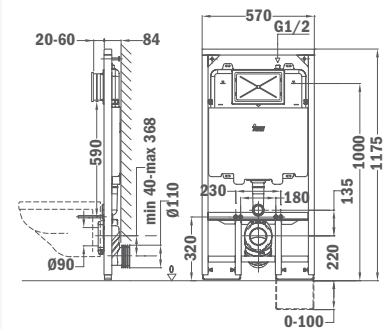
73.210.02.00



### Tekmodul Slim 2

- Installation depth: 84mm
- Dual cistern 3-6 litres
- 100% waterproof
- Max. Tank capacity: 9 litres
- Max. weight support: 400 kgs
- WC fixing at 180 - 230mm.
- For floor-standing and wall-hung WCs
- Concealed cistern fully insulated against condensation
- Water supply connection on the rear or top side
- Push button depth adjustment: 20-60mm
- Height adjustment: 0-100mm
- Tool-free maintenance work

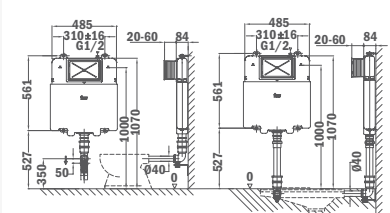
73.110.02.00



### Tekmodul Slim 3

- Installation depth: 84mm
- Dual cistern 3-6 litres
- 100% waterproof
- Max. Tank capacity: 9 litres
- Max. weight support: 400 kgs
- WC fixing at 180 - 230mm.
- For floor-standing and wall-hung WCs
- Concealed cistern fully insulated against condensation
- Water supply connection on the rear or top side
- Push button depth adjustment: 20-95mm
- Tool-free maintenance work

73.410.02.00



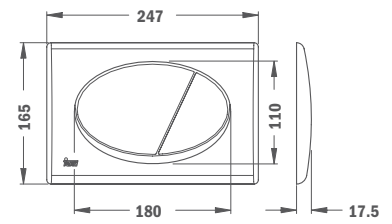
# Button panels



**Teka Flush Plate 10**

- White ABS mounting frame
- 2 actuator rods: complete or half flush
- For flush actuation with any Teka concealed cisterns

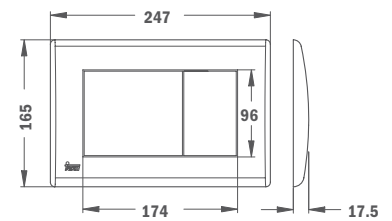
REF.  
73.500.01.00



**Teka Flush Plate 20**

- Mat chrome ABS mounting frame
- 2 actuator rods: complete or half flush
- For flush actuation with any Teka concealed cisterns

73.500.02.00



**Teka Flush Plate 30**

- IDEM, ABS glow chrome

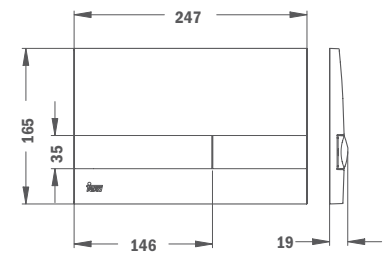
73.500.03.00



**Teka Flush Plate 40**

- Mat chrome ABS mounting frame
- 2 actuator rods: complete or half flush
- For flush actuation with any Teka concealed cisterns

73.500.04.00



**Teka Flush Plate 50**

- IDEM, ABS glow chrome

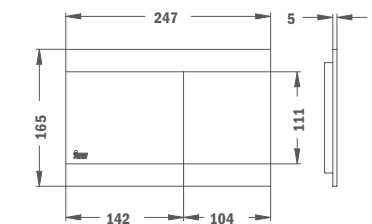
73.500.05.00



**Teka Flush Plate 60**

- Aluminium/stainless steel mounting frame
- 2 actuator rods: complete or half flush
- For flush actuation with any Teka concealed cisterns

73.500.06.00





VIDEO



## KITCHEN TAPS COLLECTION

---

Teka colours  
PAGE 153

Professional sink mixers  
PAGE 160

Pull-out high spout  
PAGE 168

High spout  
PAGE 168

Pull-out low spout  
PAGE 192

Low spout  
PAGE 195

Wall mounted  
PAGE 200



# Teka, the perfect partner



Sinks can be described using endless adjectives. They can be tough, elegant, powerful, etc. But they are nothing without their counterpart: The tap. From professional to economical ranges, Teka manufactures taps created with much imagination and designed to last. Time to enjoy your time with the perfect pair.



## Teka ceramic discs

All Teka cartridges use sintered ceramic discs of high resistance. These discs all have porous surfaces which retain the grease longer helping to achieve smoother, gentler movements and therefore prolonging the life of the taps. The operating gear is insulated from water giving therefore continuous lubrication.

## Ceramic cartridge



### Temperature Limiter

Save the energy used to heat the water with the temperature limiter incorporated in the cartridge.



### Water Saving

The cartridge incorporates an adjustable flow limiter to save water every time you use the mixer.



### Anti-Scalding

Forget about scalding caused by the water at very high temperatures. We take care of you and your family.

\* Not all taps have temperature and flow regulators in the cartridge.

# TekaPure<sup>®</sup> sink mixers, enjoy drinking water



- 1 Left handle to operate the filtered water
- 2 Right handle to operate unfiltered tap water
- 3 Two independent waterways, one for unfiltered tap water and one for filtered water.

Remove unpleasant taste, odour and organic impurities thanks to its advanced water filter systems.

- **Improves in 95% water taste and odour**
- Removes chlorine taste and organic impurities
- **Filter operative capacity: 5800 litres or 1 year**  
Average water consumption per family of 4 people = 4.380 l/year (3 l/day per person).
- **Quick and easy replacement of the cartridge system**
- **The filter system takes up very little space** under the sink making it suitable to be installed in the very reduced spaces
- **Filter cartridge replacement available**
- Filter with **NSF sanitary certification**  
System Tested and Certified by NSF International according to ANSI/NSF Standard 42 for reduction of Chlorine Class I, taste and odour



## Underwindow retractable Sink mixer

Teka Widens its under window tap range with two modern retractable sink mixers.

Teka under window mixers make sure that nothing will get in the way when opening or closing your window.





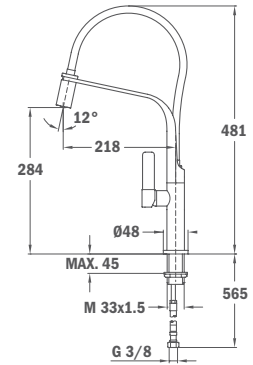
## Teka Colours

**FORMENTERA 997 FP - PINK**

- Swivel and flexible spout
- Anti-scale aerator
- High resistant flexible rubber tube
- Stainless steel flexible hose
- Pull-down shower 1 function: aerated spray

**REF.**

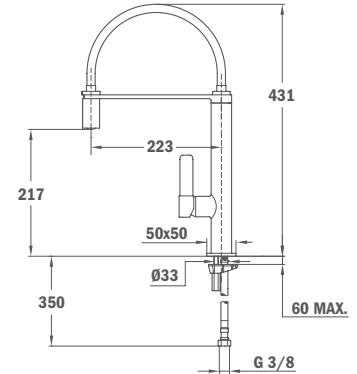
62.997.02.0FP

**FORMENTERA 937 FP - PINK**

- Swivel and flexible spout
- Anti-scale aerator
- High resistant flexible rubber tube
- Stainless steel flexible hose
- Pull-down shower 1 function: aerated spray



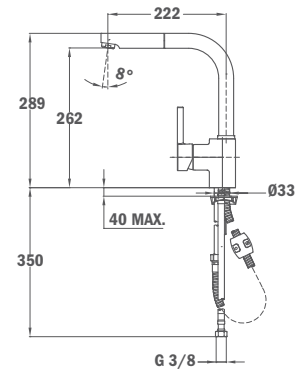
62.937.02.0FP

**ARK 938 FP - PINK**

- Swivel spout
- Pull-out shower
- New extra resistant flexible hose
- 3/8" flexible inlet pipes
- Anti-scale aerator



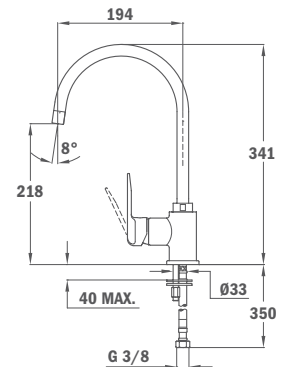
23.938.12.0FP

**IN 995 FP - PINK**

- Minimalistic design
- Swivel spout
- Anti-scale aerator
- 3/8" flexible inlet pipes



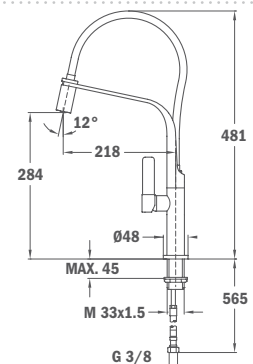
53.995.12.0FP

**FORMENTERA 997 FW - WHITE**

- Swivel and flexible spout
- Anti-scale aerator
- High resistant flexible rubber tube
- Stainless steel flexible hose
- Pull-down shower 1 function: aerated spray



62.997.02.0FW





## Teka Colours

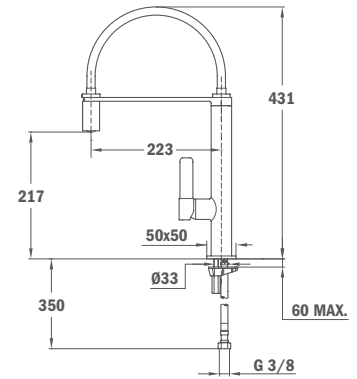
**FORMENTERA 937 FW - WHITE**

- Swivel and flexible spout
- Anti-scale aerator
- High resistant flexible rubber tube
- Stainless steel flexible hose
- Pull-down shower 1 function: aerated spray



## REF.

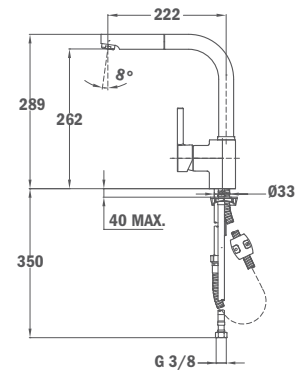
62.937.02.0FW

**ARK 938 FW - WHITE**

- Swivel spout
- Pull-out shower
- New extra resistant flexible hose
- 3/8" flexible inlet pipes
- Anti-scale aerator



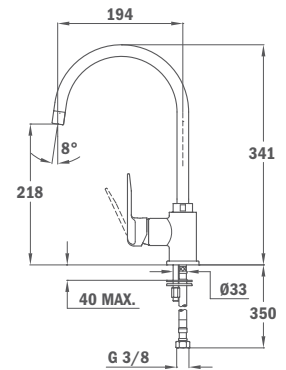
23.938.12.0FW

**IN 995 FW - WHITE**

- Minimalistic design
- Swivel spout
- Anti-scale aerator
- 3/8" flexible inlet pipes



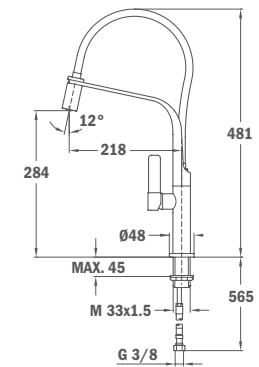
53.995.12.0FW

**FORMENTERA 997 FN - BLACK**

- Swivel and flexible spout
- Anti-scale aerator
- High resistant flexible rubber tube
- Stainless steel flexible hose
- Pull-down shower 1 function: aerated spray



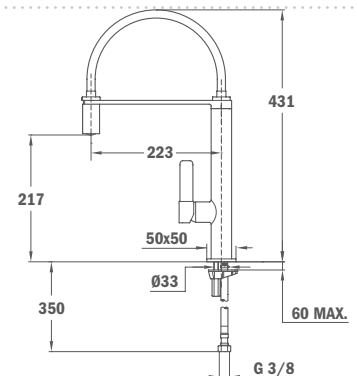
62.997.02.0FN

**FORMENTERA 937 FN - BLACK**

- Swivel and flexible spout
- Anti-scale aerator
- High resistant flexible rubber tube
- Stainless steel flexible hose
- Pull-down shower 1 function: aerated spray



62.937.02.0FN





# Teka Colours

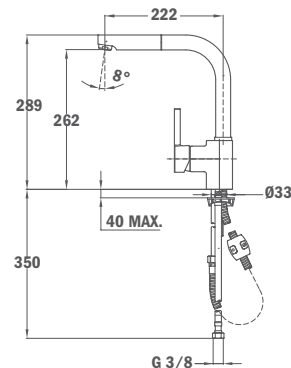


**ARK 938 FN - BLACK**

- Swivel spout
- Pull-out shower
- New extra resistant flexible hose
- 3/8" flexible inlet pipes
- Anti-scale aerator



REF.  
23.938.12.0FN

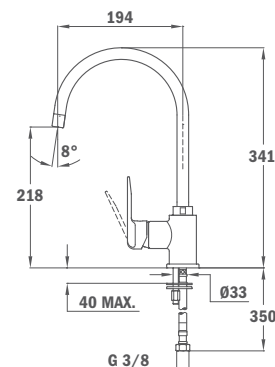


**IN 995 FN - BLACK**

- Minimalistic design
- Swivel spout
- Anti-scale aerator
- 3/8" flexible inlet pipes



53.995.12.0FN

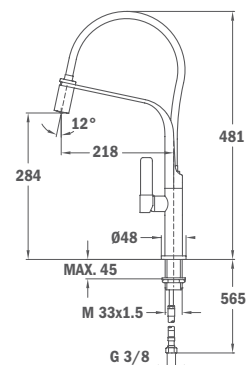


**FORMENTERA 997 FA - ORANGE**

- Swivel and flexible spout
- Anti-scale aerator
- High resistant flexible rubber tube
- Stainless steel flexible hose
- Pull-down shower 1 function: aerated spray



62.997.02.0FA

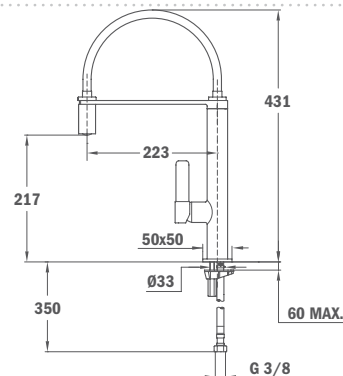


**FORMENTERA 937 FA - ORANGE**

- Swivel and flexible spout
- Anti-scale aerator
- High resistant flexible rubber tube
- Stainless steel flexible hose
- Pull-down shower 1 function: aerated spray



62.937.02.0FA

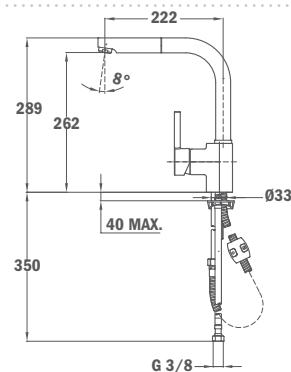


**ARK 938 FA - ORANGE**

- Swivel spout
- Pull-out shower
- New extra resistant flexible hose
- 3/8" flexible inlet pipes
- Anti-scale aerator



23.938.12.0FA



## Teka Colours

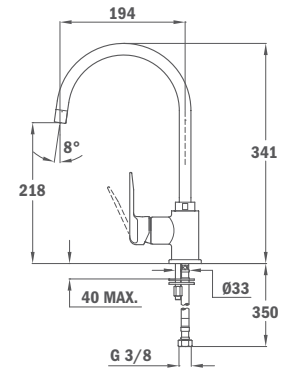
**IN 995 FA - ORANGE**

- Minimalistic design
- Swivel spout
- Anti-scale aerator
- 3/8" flexible inlet pipes



REF.

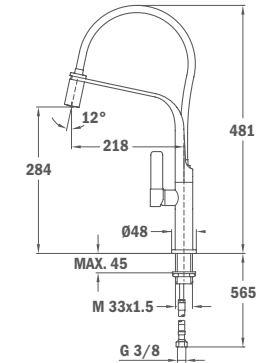
53.995.12.0FA

**FORMENTERA 997 FB - BLUE**

- Swivel and flexible spout
- Anti-scale aerator
- High resistant flexible rubber tube
- Stainless steel flexible hose
- Pull-down shower 1 function: aerated spray



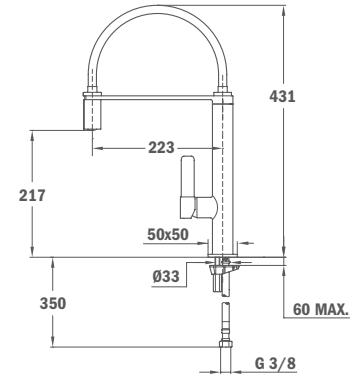
62.997.02.0FB

**FORMENTERA 937 FB - BLUE**

- Swivel and flexible spout
- Anti-scale aerator
- High resistant flexible rubber tube
- Stainless steel flexible hose
- Pull-down shower 1 function: aerated spray



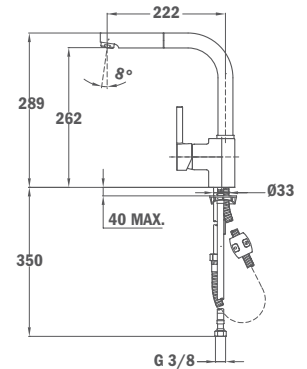
62.937.02.0FB

**ARK 938 FB - BLUE**

- Swivel spout
- Pull-out shower
- New extra resistant flexible hose
- 3/8" flexible inlet pipes
- Anti-scale aerator



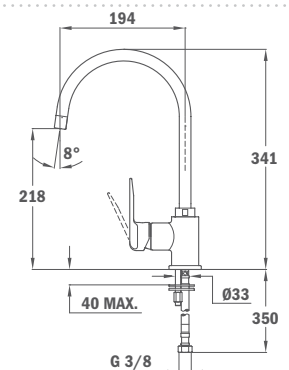
23.938.12.0FB

**IN 995 FB - BLUE**

- Minimalistic design
- Swivel spout
- Anti-scale aerator
- 3/8" flexible inlet pipes



53.995.12.0FB



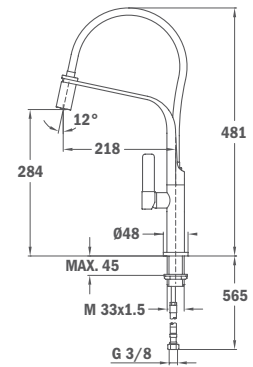
## Teka Colours

**FORMENTERA 997 FY - YELLOW**

- Swivel and flexible spout
- Anti-scale aerator
- High resistant flexible rubber tube
- Stainless steel flexible hose
- Pull-down shower 1 function: aerated spray

**REF.**

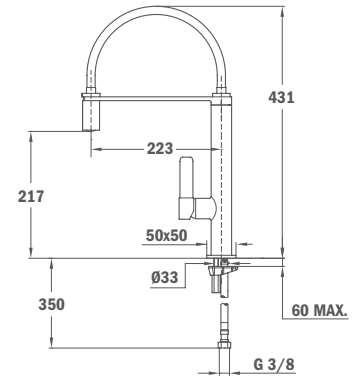
62.997.02.0FY

**FORMENTERA 937 FY - YELLOW**

- Swivel and flexible spout
- Anti-scale aerator
- High resistant flexible rubber tube
- Stainless steel flexible hose
- Pull-down shower 1 function: aerated spray



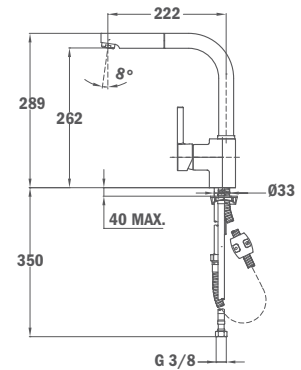
62.937.02.0FY

**ARK 938 FY - YELLOW**

- Swivel spout
- Pull-out shower
- New extra resistant flexible hose
- 3/8" flexible inlet pipes
- Anti-scale aerator



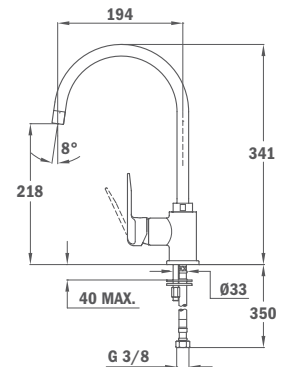
23.938.12.0FY

**IN 995 FY - YELLOW**

- Minimalistic design
- Swivel spout
- Anti-scale aerator
- 3/8" flexible inlet pipes



53.995.12.0FY





# PROFESSIONAL SINK MIXERS



### IC 939

- Swivel and flexible spout
- Anti-scale aerator
- High resistant flexible spring
- Stainless steel flexible hose
- Pull-down shower 1 function: aerated spray

#### Other available colors:

- Black**
- White**

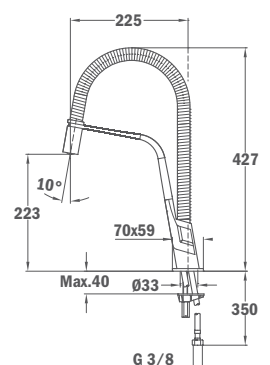


#### REF.

33.939.02.00

33.939.02.0N

33.939.02.0W



### FO 999

- Swivel and flexible spout
- Anti-scale aerator
- High resistant flexible spring
- Stainless steel flexible hose
- Pull-down shower 1 function: aerated spray

#### Other available colors:

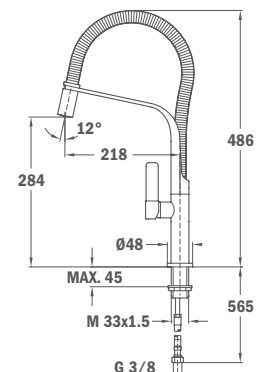
- Black**
- White**



62.999.02.00

62.999.02.0N

62.999.02.0W





# Professional Sink Mixers



### FO 997 Black tube

- Swivel and flexible spout
- Anti-scale aerator
- High resistant flexible rubber tube
- Stainless steel flexible hose
- Pull-down shower 1 function: aerated spray

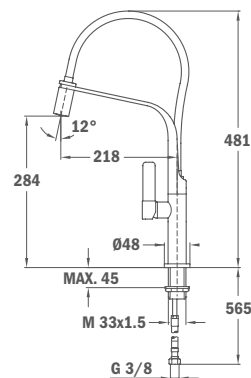
### FO 997 White tube



REF.

62.997.02.0FN

62.997.02.0FW

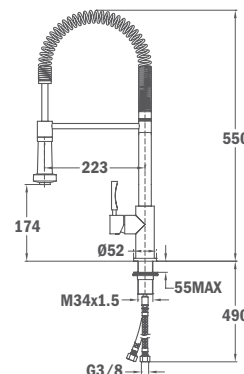


### INX 939

- Manufactured in high quality stainless steel AISI 304
- Swivel and flexible spout
- Anti-scale aerator
- High resistant flexible spring
- Stainless steel flexible hose reinforced with plastic for better protection and easy cleaning
- Pull-down shower 2 functions: normal & shower spray



74.939.02.00



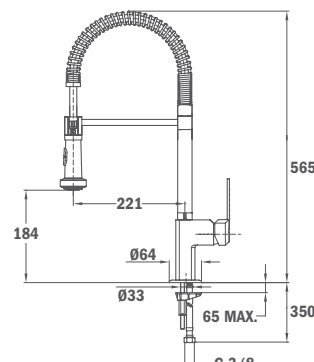
EXPRESSION

### MYX

- Swivel and flexible spout
- Anti-scale aerator
- High resistant flexible spring
- Stainless steel flexible hose reinforced with plastic for better protection and easy cleaning
- Pull-down shower 2 functions: normal & shower spray



38.999.27.00

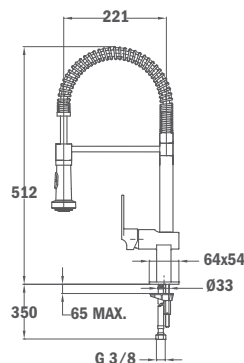


### MZ 939

- Swivel and flexible spout
- Anti-scale aerator
- High resistant flexible spring
- Stainless steel flexible hose reinforced with plastic for better protection and easy cleaning
- Pull-down shower 2 functions: normal & shower spray



38.939.02

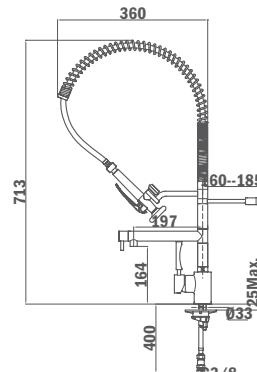


### MY 202

- Professional sink mixer
- Double fixing system to avoid any lever effect on the sink. On-wall and sink fixation
- Hand shower with stop function. 1 Function: Shower
- High resistant flexible spring
- Stainless steel flexible hose reinforced with plastic for better protection and easy cleaning
- Independent spout
- Anti-scale aerator
- 1/4 turn headpart



18.202.02.00



\* For 1/2" connection versions please check with your sales contact person.



# Professional Sink Mixers



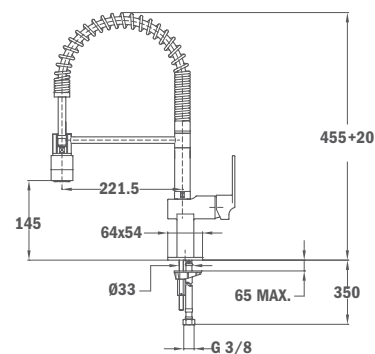
## MY Compact

- Height: 45,6cm
- Swivel and flexible spout
- Anti-scale aerator
- High resistant flexible spring
- Stainless steel flexible hose reinforced with plastic for better protection and easy cleaning
- Pull-down shower 2 functions: normal & shower spray



## REF.

38.937.02

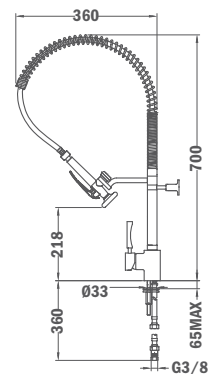


## MY 174

- Professional sink mixer
- Double fixing system to avoid any lever effect on the sink. On-wall and sink fixation
- Hand shower with stop function. 1 Function: Shower
- High resistant flexible spring
- Stainless steel flexible hose reinforced with plastic for better protection and easy cleaning



18.174.02.00

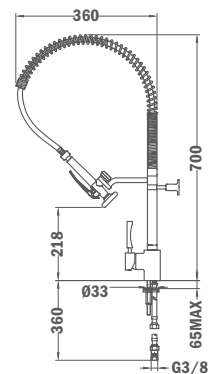


## MY 174 N

- Professional sink mixer
- Double fixing system to avoid any lever effect on the sink. On-wall and sink fixation
- Hand shower with stop function. 1 Function: Shower
- High resistant flexible spring
- Stainless steel flexible hose reinforced with plastic for better protection and easy cleaning



18.174.02.0N

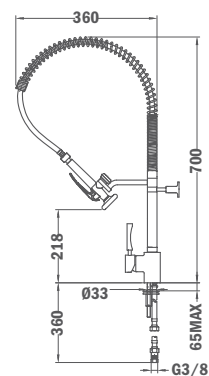


## MY 174 W

- Professional sink mixer
- Double fixing system to avoid any lever effect on the sink. On-wall and sink fixation
- Hand shower with stop function. 1 Function: Shower
- High resistant flexible spring
- Stainless steel flexible hose reinforced with plastic for better protection and easy cleaning



18.174.02.0W

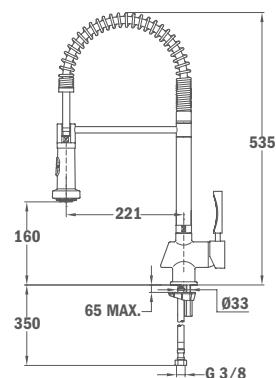


## MY1

- Swivel and flexible spout
- Anti-scale aerator
- High resistant flexible spring
- Stainless steel flexible hose reinforced with plastic for better protection and easy cleaning
- Pull-down shower 2 functions: normal & shower spray



18.160.02



\* For 1/2" connection versions please check with your sales contact person.



# Professional Sink Mixers



**FO 939**

- Swivel and flexible spout
- Anti-scale aerator
- High resistant flexible spring
- Stainless steel flexible hose
- Pull-down shower 1 function: aerated spray

**Other available colors:**

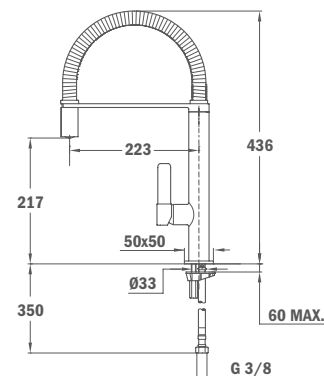
**Black**  
**White**



**REF.**

62.939.02.00

62.939.02.0N  
62.939.02.0W



**FO 937 Black tube**

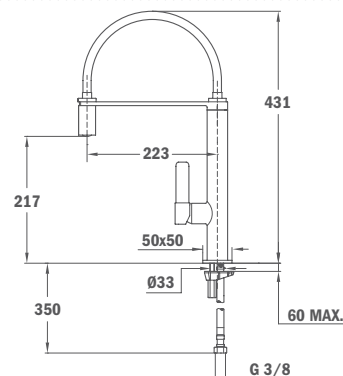
- Swivel and flexible spout
- Anti-scale aerator
- High resistant flexible rubber tube
- Stainless steel flexible hose
- Pull-down shower 1 function: aerated spray

**FO 937 White tube**



62.937.02.0FN

62.937.02.0FW

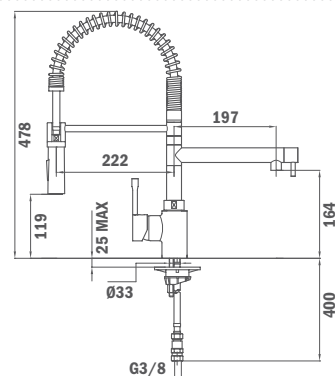


**ARK 999**

- Professional sink mixer with swivel and flexible spout
- Hand shower with stop function. 1 Function: Shower
- High resistant flexible spring
- Stainless steel flexible hose reinforced with plastic for better protection and easy cleaning



23.999.12.00





# Professional Sink Mixers



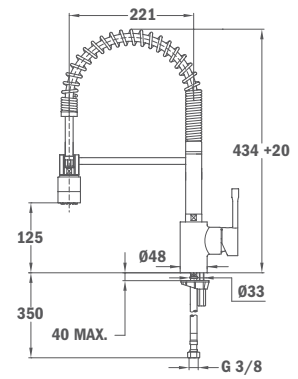
## ARK 937

- Swivel and flexible spout
- Anti-scale aerator
- High resistant flexible spring
- Stainless steel flexible hose
- Pull-down shower 2 functions: normal & shower
- Fits all kitchens



## REF.

23.937.12.00

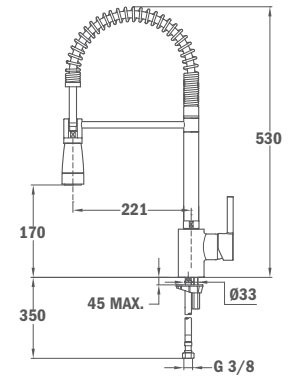


## ARK 939

- Swivel spout
- Pull down shower with two jets
- Ergonomic handle
- Stainless steel flexible shower hose. Easy cleaning
- Shower holder swivels independently from main spout for more comfortable use
- 3/8" flexible inlet pipes



23.939.12.00

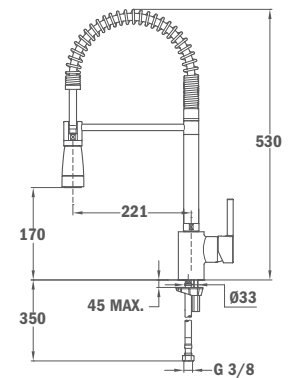


## ARK 939 W

- Swivel spout
- Pull down shower with two jets
- Ergonomic handle
- Stainless steel flexible shower hose. Easy cleaning
- Shower holder swivels independently from main spout for more comfortable use
- 3/8" flexible inlet pipes



23.939.12.0W

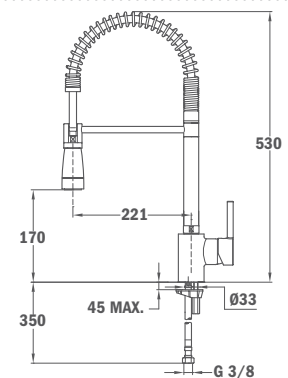


## ARK 939 N

- Swivel spout
- Pull down shower with two jets
- Ergonomic handle
- Stainless steel flexible shower hose. Easy cleaning
- Shower holder swivels independently from main spout for more comfortable use
- 3/8" flexible inlet pipes



23.939.12.0N





# PULL OUT HIGH SPOUT



## INX 938

- Manufactured in high quality stainless steel AISI 304
- Swivel spout
- Anti-scale aerator
- Stainless steel pull-out shower: 1 function



EXPRESSION



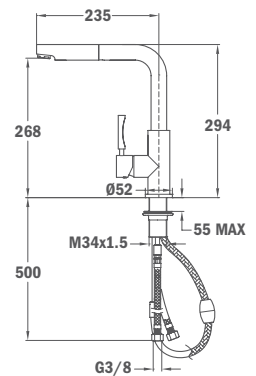
## MZX PULL-OUT

- Pull-out shower 1 function: normal spray
- Swivel spout
- Anti-scale aerator

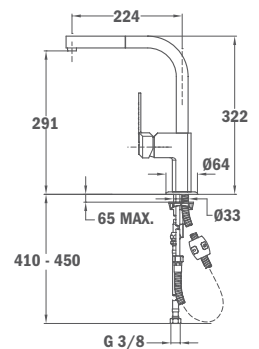


REF.

74.938.02.00



38.998.27.00







REF. 74.938.02.00



Ref. 24.938.02.00



**MC-10 PLUS 938**

- Cast swivel spout
- Pull-out shower 2 functions: normal & shower
- Anti-scale aerator



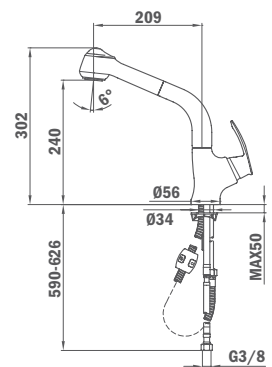
**VTK 938**

- Metallic pull-out shower 1 function
- Swivel spout
- Anti-scale aerator
- 3/8" flexible inlet pipes

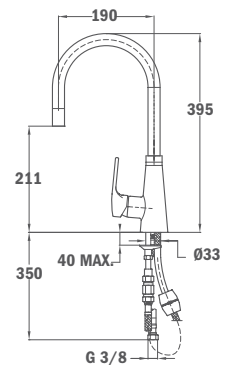


**REF.**

97.938.02



24.938.02.00



\* For 1/2" connection versions please check with your sales contact person.

# Pull out High Spout



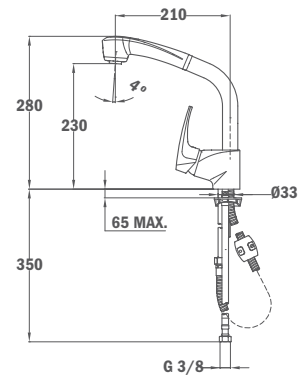
## MTEXT

- Swivel spout
- Pull-out shower 2 functions
- 3/8" flexible inlet pipes
- Anti-scale aerator



## REF.

40.938.02

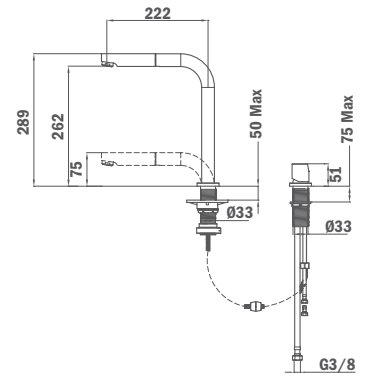


## AUK 983

- Under window single lever mixer.
- Retractable and pull out functions.
- 2 positions: Extended (289mm) and hidden (75mm).
- Swivel spout.
- Requires 2 holes of Ø35mm
- Anti-scale aerator.
- Pull out shower 1 function.



50.983.02.00

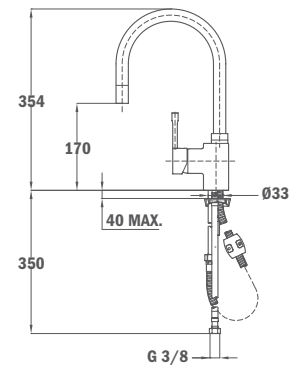


## ARK 998

- Metallic pull-out shower 1 function
- Swivel spout
- Anti-scale aerator
- 3/8" flexible inlet pipes



23.998.12.00

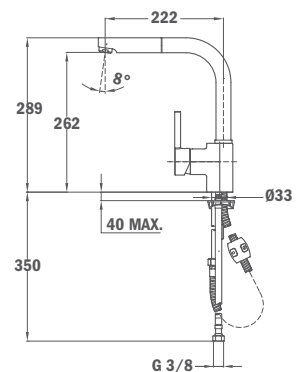


## ARK 938

- Swivel spout
- Pull-out shower
- New extra resistant flexible hose
- 3/8" flexible inlet pipes
- Anti-scale aerator



23.938.12.00

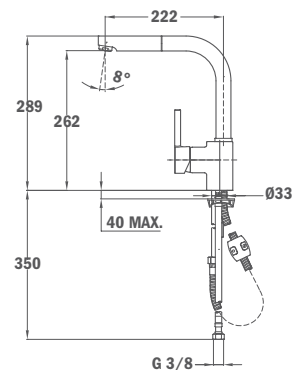


## ARK 938 I

- Stainless Steel Finish
- Swivel spout
- Pull-out shower
- New extra resistant flexible hose
- 3/8" flexible inlet pipes
- Anti-scale aerator



23.938.12.01



# Pull out High Spout

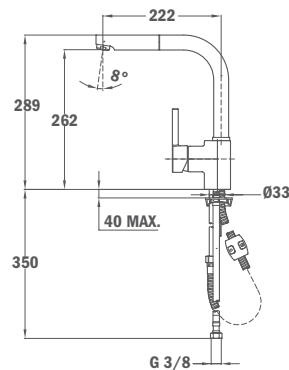


**ARK 938 W**

- Swivel spout
- Pull-out shower
- New extra resistant flexible hose
- 3/8" flexible inlet pipes
- Anti-scale aerator



REF.  
23.938.12.0W

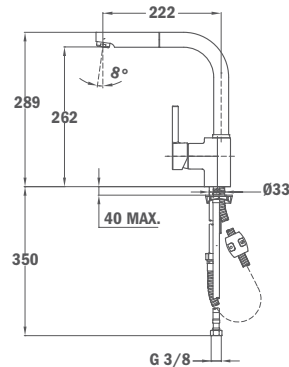


**ARK 938 N**

- Swivel spout
- Pull-out shower
- New extra resistant flexible hose
- 3/8" flexible inlet pipes
- Anti-scale aerator



23.938.12.0N

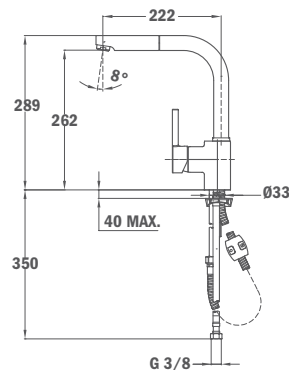


**ARK 938 FA (ORANGE)**

- Swivel spout
- Pull-out shower
- New extra resistant flexible hose
- 3/8" flexible inlet pipes
- Anti-scale aerator



23.938.12.0FA

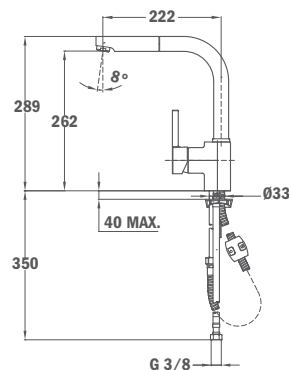


**ARK 938 FB (BLUE)**

- Swivel spout
- Pull-out shower
- New extra resistant flexible hose
- 3/8" flexible inlet pipes
- Anti-scale aerator



23.938.12.0FB

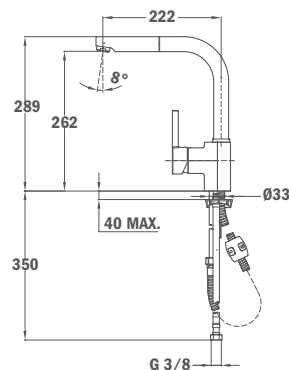


**ARK 938 FP (PINK)**

- Swivel spout
- Pull-out shower
- New extra resistant flexible hose
- 3/8" flexible inlet pipes
- Anti-scale aerator



23.938.12.0FP



\* For 1/2" connection versions please check with your sales contact person.

# Pull out High Spout



## ARK 938 FY (YELLOW)

- Swivel spout
- Pull-out shower
- New extra resistant flexible hose
- 3/8" flexible inlet pipes
- Anti-scale aerator



## ARK 938 FM (MATT CHROME)

- Swivel spout
- Pull-out shower
- New extra resistant flexible hose
- 3/8" flexible inlet pipes
- Anti-scale aerator

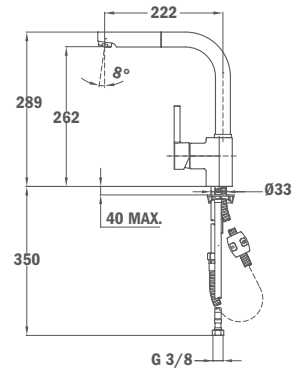
### Other available colors:

- Topaz Beige**
- Sand Beige**
- Metallic Black**
- Alabaster**
- Carbon**

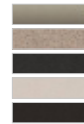
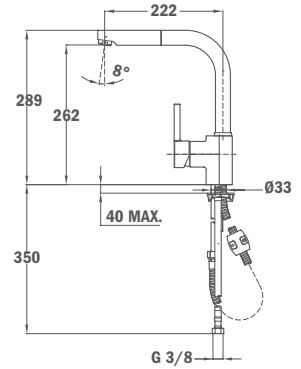


### REF.

23.938.12.0FY



23.938.12.0FM



23.938.12.0T  
23.938.12.0S  
23.938.12.0Q  
23.938.12.0VE  
23.938.12.0CN





# HIGH SPOUT



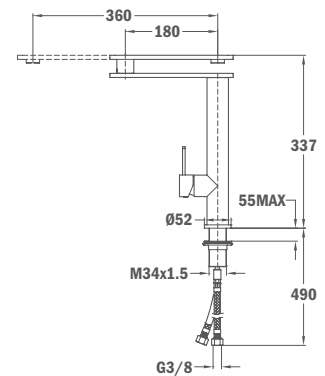
## INX 918

- Manufactured in high quality stainless steel AISI 304
- Swivel spout
- Anti-scale aerator
- Articulated spout
- Specially designed to fill the cooking pot without having to move it from the worktop or hob



## REF.

74.918.02.00

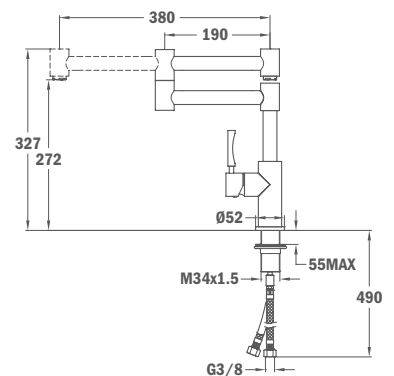


## INX 983

- Manufactured in high quality stainless steel AISI 304
- Swivel spout
- Anti-scale aerator
- Articulated spout
- Specially designed to fill the cooking pot without having to move it from the worktop or hob



74.983.02.00

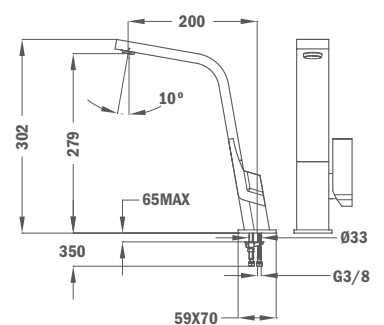


## IC 915

- Swivel spout
- Anti-scale aerator integrated in the spout
- 3/8" flexible inlet pipes



33.915.02.00



\* For 1/2" connection versions please check with your sales contact person.



REF. 33.939.02.00



REF. 33.915.02.00

# High Spout



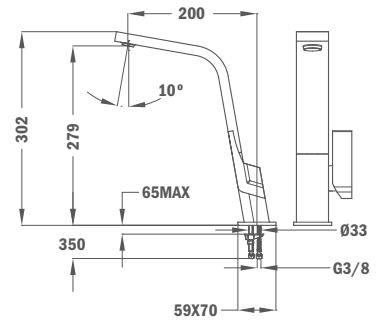
## IC 915 I

- Swivel spout
- Anti-scale aerator integrated in the spout
- 3/8" flexible inlet pipes



REF.

33.915.02.0I

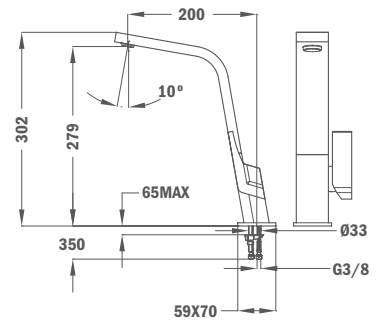


## WHITE IC 915 W

- Swivel spout
- Anti-scale aerator integrated in the spout
- 3/8" flexible inlet pipes
- High resistance paint coating



33.915.02.0W

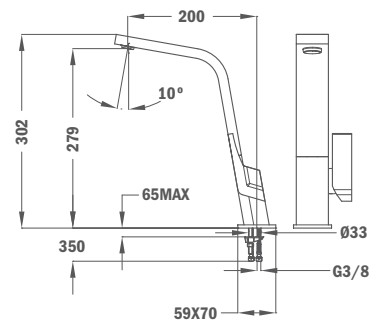


## BLACK IC 915 N

- Swivel spout
- Anti-scale aerator integrated in the spout
- 3/8" flexible inlet pipes
- High resistance paint coating



33.915.02.0N

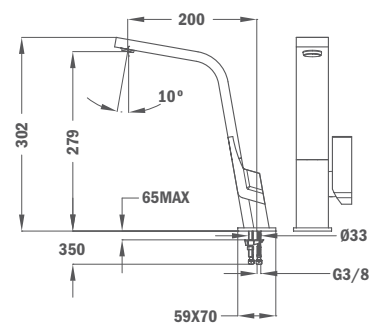


## IC 915 8

- Swivel spout
- Anti-scale aerator integrated in the spout
- 3/8" flexible inlet pipes
- High resistance paint coating



33.915.02.08

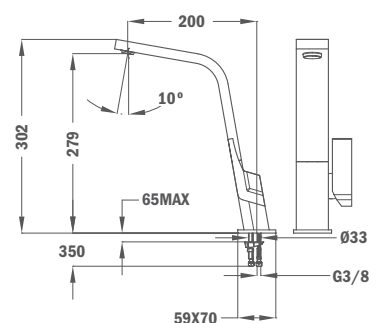


## IC 915 Z

- Swivel spout
- Anti-scale aerator integrated in the spout
- 3/8" flexible inlet pipes
- High resistance paint coating



33.915.02.0Z



\* For 1/2" connection versions please check with your sales contact person.



REF. 33.915.02.ON



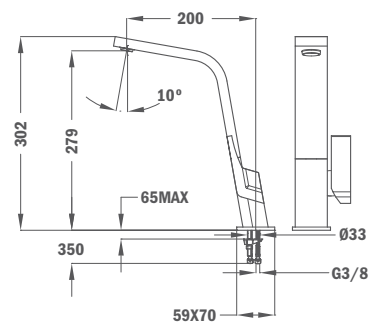
**IC915 R**

- Swivel spout
- Anti-scale aerator integrated in the spout
- 3/8" flexible inlet pipes
- High resistance paint coating



**REF.**

33.915.02.0R





# High Spout



## IC 915 Q

- Swivel spout
- Anti-scale aerator integrated in the spout
- 3/8" flexible inlet pipes
- High resistance paint coating

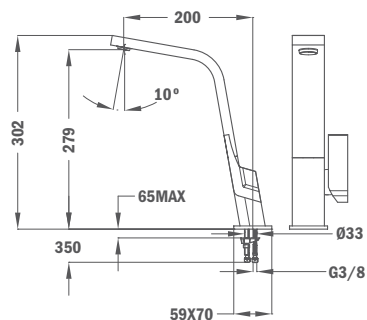
**Other available colors:**  
**Topaz Beige**  
**Carbon**



## REF.

33.915.02.0Q

33.915.02.0T  
 33.915.02.0CN



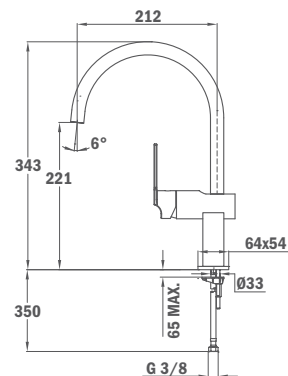
ACS



## MZ 915 / CUADRO

- Swivel spout
- 3/8" flexible inlet pipes
- Aerator integrated in the spout

38.915.02

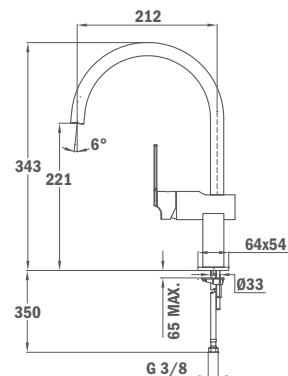


## MZ 915 W

- Swivel spout
- Anti-scale aerator integrated in the spout
- 3/8" flexible inlet pipes
- Anti-finger print
- High resistance paint coating



38.915.02.0W

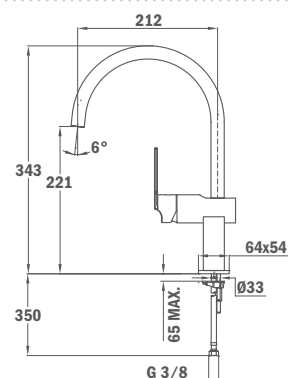


## MZ 915 N

- Swivel spout
- Anti-scale aerator integrated in the spout
- 3/8" flexible inlet pipes
- Anti-finger print
- High resistance paint coating



38.915.02.0N

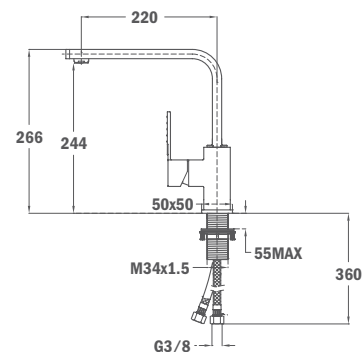


## INX 994

- Manufactured in high quality stainless steel AISI 304
- Swivel spout
- Anti-scale aerator



74.994.07.00



\* For 1/2" connection versions please check with your sales contact person.



# High Spout



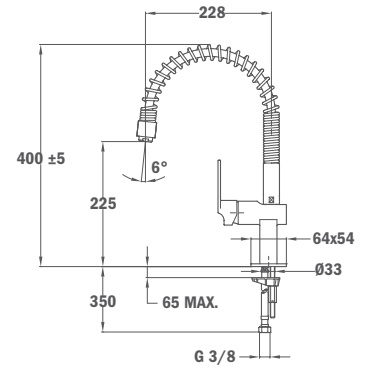
## MQ FLEXIBLE

- Swivel and flexible spout
- 3/8" flexible inlet pipes
- Aerator integrated in the spout
- High resistant flexible spring
- Stainless steel flexible hose reinforced with plastic for better protection and easy cleaning



## REF.

38.934.02

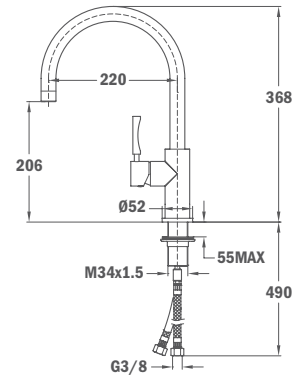


## INX 915

- Manufactured in high quality stainless steel AISI 304
- Swivel spout
- Anti-scale aerator



74.915.02.00

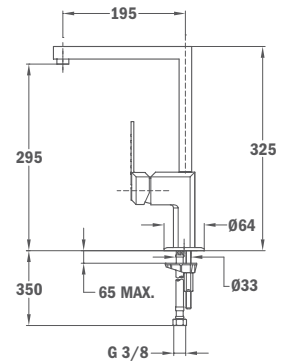


## MZX

- Swivel spout
- Anti-scale aerator integrated in the spout



38.995.27.00

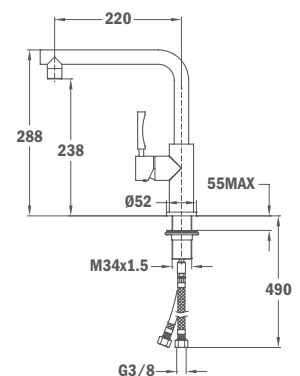


## INX 914

- Manufactured in high quality stainless steel AISI 304
- Swivel spout
- Anti-scale aerator



74.914.02.00

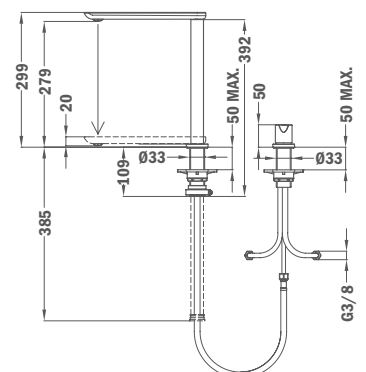


## FO 985

- Under window single lever mixer
- Retractable
- 2 positions: Extended (299mm) and hidden (20mm)
- Swivel spout
- Requires 2 holes of Ø35mm
- Anti-scale aerator



62.985.02.00



\* For 1/2" connection versions please check with your sales contact person.



REF. 62.985.02.00



REF. 62.985.02.00

# High Spout



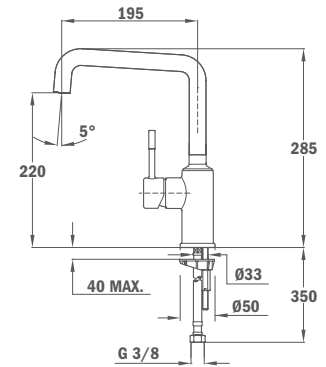
**FRAME**

- Swivel spout
- Anti-scale aerator integrated in the spout



**REF.**

50.915.02.00



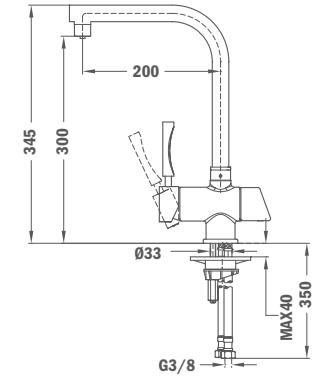
**OS 207  
WITH PURIFIER FILTER SYSTEM**

- Sink mixer with filter function
- 2 independent waterways for unfiltered and filtered water

**OS 206  
DITTO, WITHOUT PURIFIER FILTER SYSTEM**

18.207.02.00

18.206.02.00



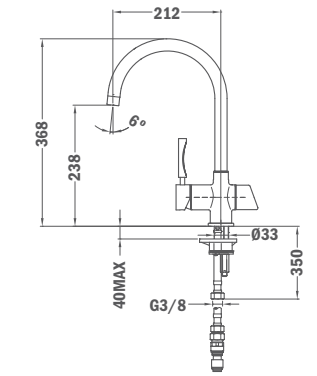
**OS 201  
WITH PURIFIER FILTER SYSTEM**

- Sink mixer with filter function
- 2 independent waterways for unfiltered and filtered water

**OS 200  
DITTO, WITHOUT PURIFIER FILTER SYSTEM**

18.201.02.00

18.200.02.00

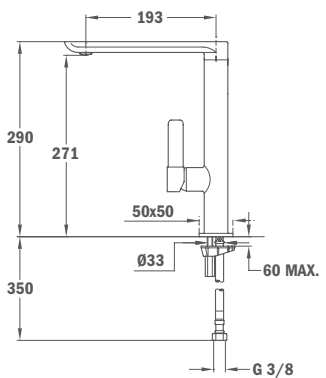


**FO 915**

- Minimalistic design
- Swivel spout
- Anti-scale aerator



62.915.02.00

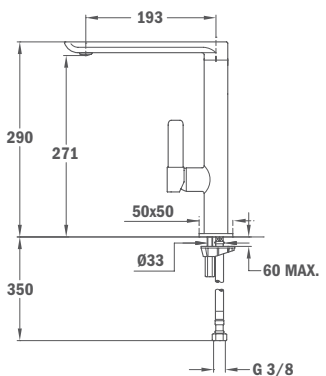


**FO 915 I**

- Minimalistic design
- Swivel spout
- Anti-scale aerator



62.915.02.01



\* For 1/2" connection versions please check with your sales contact person.



# High Spout



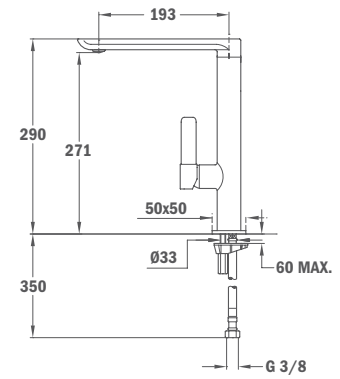
## FO 915 W

- Minimalistic design
- Swivel spout
- Anti-scale aerator



## REF.

62.915.02.0W

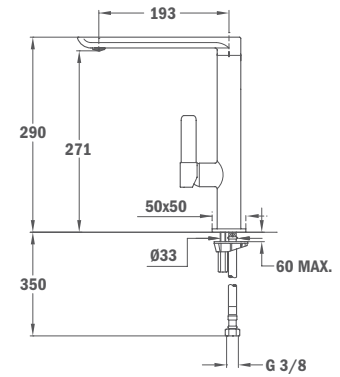


## FO 915 N

- Minimalistic design
- Swivel spout
- Anti-scale aerator



62.915.02.0N

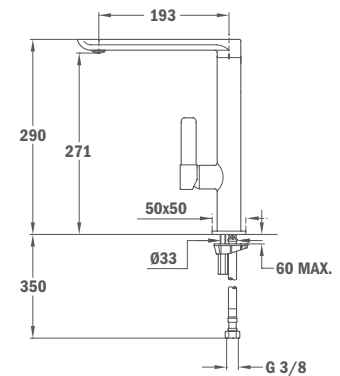


## FO 915 BC

- Minimalistic design
- Swivel spout
- Anti-scale aerator



62.915.02.0BC

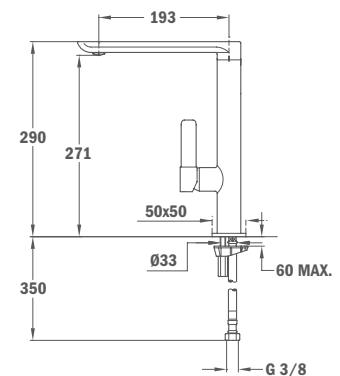


## FO 915 NC

- Minimalistic design
- Swivel spout
- Anti-scale aerator



62.915.02.0NC

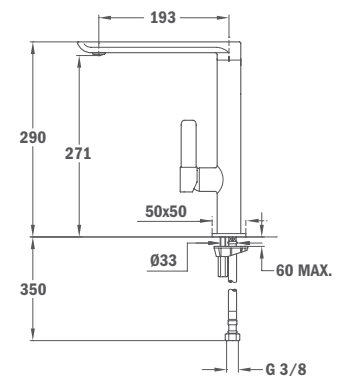


## FO 915 FY

- Minimalistic design
- Swivel spout
- Anti-scale aerator



62.915.02.0FY



\* For 1/2" connection versions please check with your sales contact person.



REF. 23.915.12.00

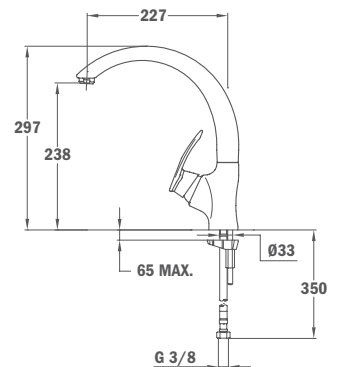


**MC-10 PLUS 915**

- Cast swivel spout
- Anti-scale aerator

**REF.**

97.915.02





# High Spout



**MC-10 PLUS 915 (METALLIC BLACK)**

- Cast swivel spout
- Anti-scale aerator

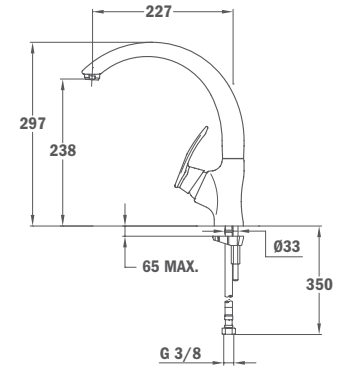
**Other available colors:**  
**Topaz Beige**  
**Sand Beige**



**REF.**

97.915.02.1Q

97.9115.02.TB  
 97.9115.02.CI

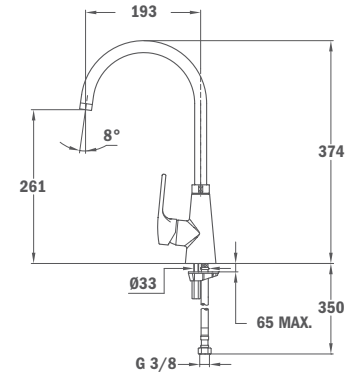


**VITA**

- Swivel spout
- Anti-scale aerator
- 3/8" flexible inlet pipes



24.915.02.00

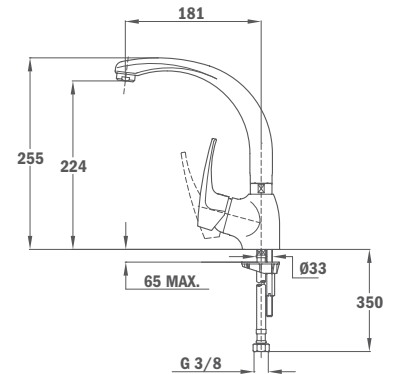


**MH**

- Cast swivel spout
- Anti-scale aerator
- 3/8" flexible inlet pipes



40.915.02

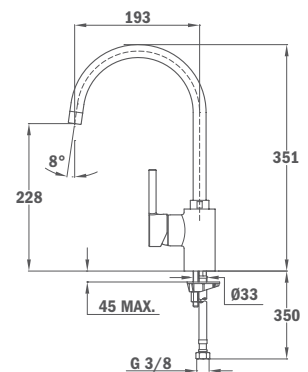


**ARK 915**

- Swivel spout
- 3/8" flexible inlet pipes
- Anti-scale aerator



23.915.12.00

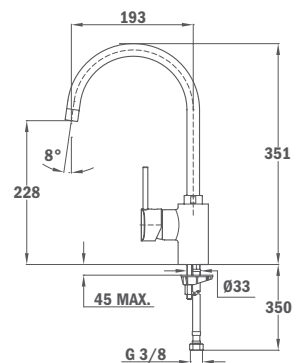


**ARES**

- Swivel spout
- 3/8" flexible inlet pipes
- Anti-scale aerator



23.915.02.00



\* For 1/2" connection versions please check with your sales contact person.



REF. 53.995.12



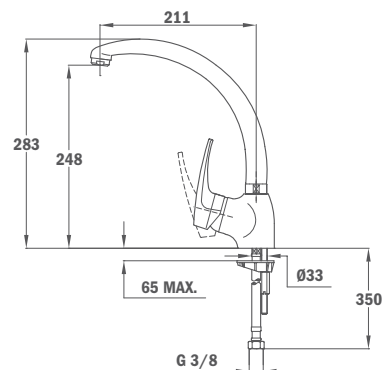
# High Spout



- MB2**
- Swivel spout
  - Anti-scale aerator
  - 3/8" flexible inlet pipes



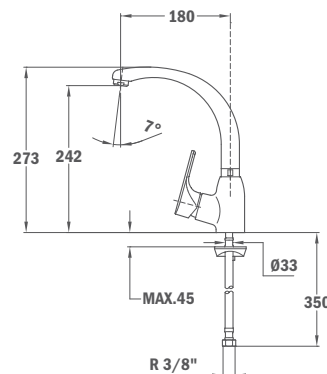
REF.  
40.914.02



- MTP 915**
- Cast swivel spout
  - Anti-scale aerator
  - 3/8" flexible inlet pipes



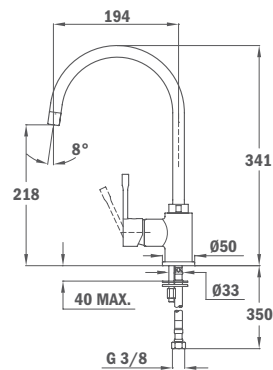
46.915.02.00



- SP 995**
- Swivel spout
  - Anti-scale aerator
  - 3/8" flexible inlet pipes



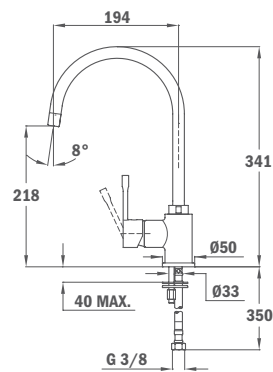
55.995.02.00



- SP 995 I**
- Swivel spout
  - Anti-scale aerator
  - 3/8" flexible inlet pipes



55.995.02.01



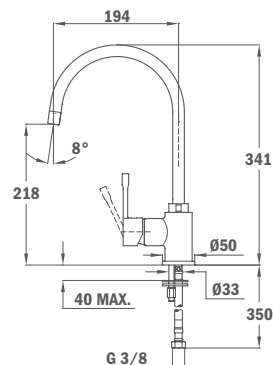
- SP 995 SAND BEIGE**
- Swivel spout
  - Anti-scale aerator
  - 3/8" flexible inlet pipes

- Other available colors:**  
**Topaz Beige**  
**Metallic Black**  
**Alabaster**  
**Amber**  
**Quartz**  
**Vanilia**  
**Carbon**



55.995.02.05

- 55.995.02.0T
- 55.995.02.0Q
- 55.995.02.0VE
- 55.995.02.0SB
- 55.995.02.0QI
- 55.995.02.0VC
- 55.995.02.0CN



\* For 1/2" connection versions please check with your sales contact person.

# High Spout



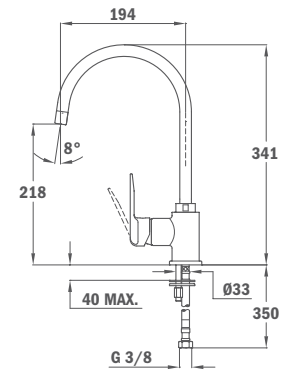
## IN 995

- Minimalistic design
- Swivel spout
- Anti-scale aerator
- 3/8" flexible inlet pipes



REF.

53.995.12

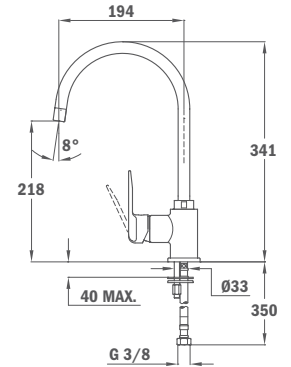


## IN 995 FN (BLACK)

- Minimalistic design
- Swivel spout
- Anti-scale aerator
- 3/8" flexible inlet pipes



53.995.12.OFN

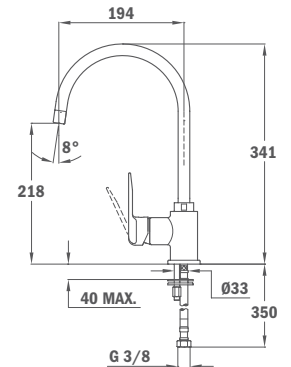


## IN 995 FW (WHITE)

- Minimalistic design
- Swivel spout
- Anti-scale aerator
- 3/8" flexible inlet pipes



53.995.12.OFW

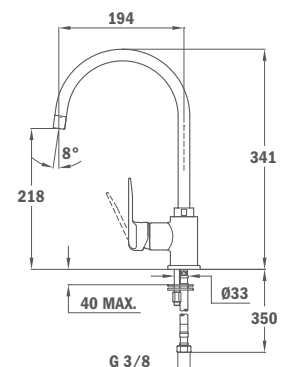


## IN 995 FA (ORANGE)

- Minimalistic design
- Swivel spout
- Anti-scale aerator
- 3/8" flexible inlet pipes



53.995.12.OFA

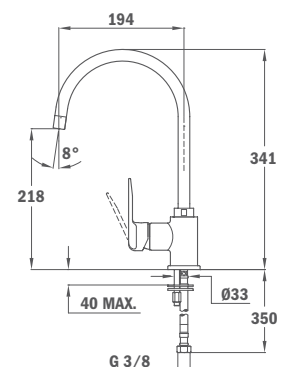


## IN 995 FB (BLUE)

- Minimalistic design
- Swivel spout
- Anti-scale aerator
- 3/8" flexible inlet pipes



53.995.12.OFB



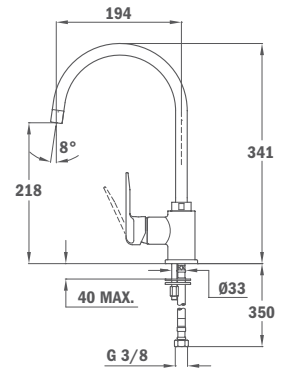
# High Spout



- IN 995 FP (PINK)**
- Minimalistic design
  - Swivel spout
  - Anti-scale aerator
  - 3/8" flexible inlet pipes



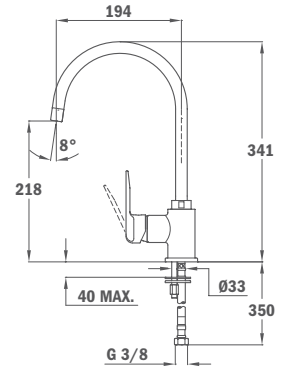
REF.  
53.995.12.0FP



- IN 995 FY (YELLOW)**
- Minimalistic design
  - Swivel spout
  - Anti-scale aerator
  - 3/8" flexible inlet pipes



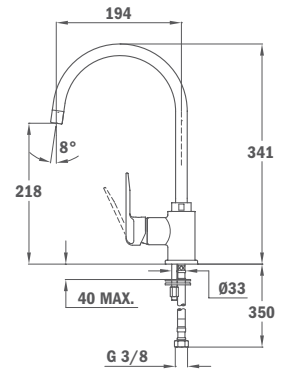
53.995.12.0FY



- IN 995 FM (GREY)**
- Minimalistic design
  - Swivel spout
  - Anti-scale aerator
  - 3/8" flexible inlet pipes

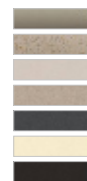


53.995.12.0FM

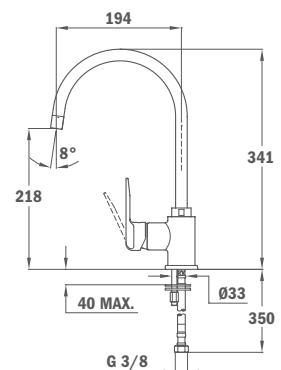


- IN 995 Q**
- Minimalistic design
  - Swivel spout
  - Anti-scale aerator
  - 3/8" flexible inlet pipes

- Other available colors:**  
**Topaz Beige**  
**Sand Beige**  
**Alabaster**  
**Amber**  
**Quartz**  
**Vanilia**  
**Carbon**



53.995.12.0T  
 53.995.12.0S  
 53.995.12.0VE  
 53.995.12.0SB  
 53.995.12.0QI  
 53.995.12.0VC  
 53.995.12.0CN



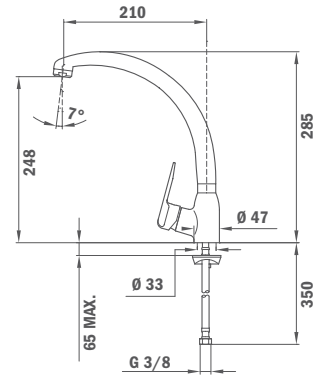
# High Spout



- IN 914**
- Swivel spout
  - Anti-scale aerator
  - 3/8" flexible inlet pipes



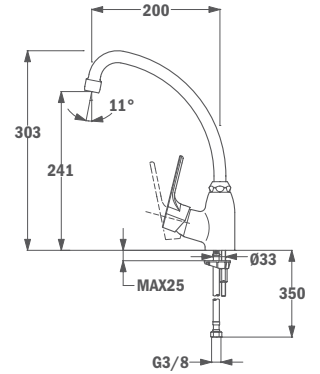
REF.  
53.914.12



- INP 912**
- Swivel spout
  - Anti-scale aerator
  - 3/8" flexible inlet pipes



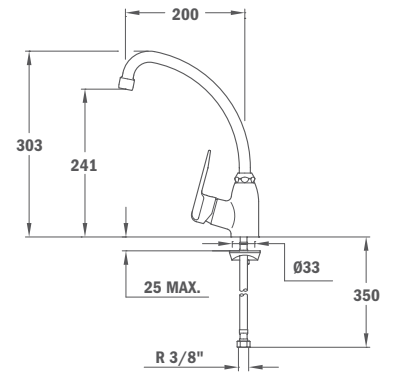
27.912.02.00



- IN 912**
- Swivel spout
  - Anti-scale aerator
  - 3/8" flexible inlet pipes



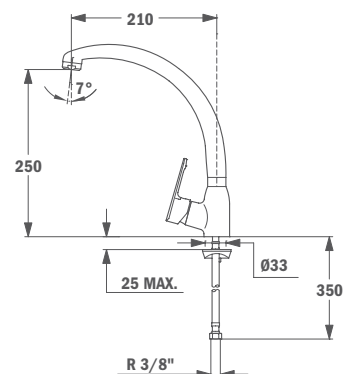
53.912.12



- MN**
- Swivel spout
  - Anti-scale aerator
  - 3/8" flexible inlet pipes



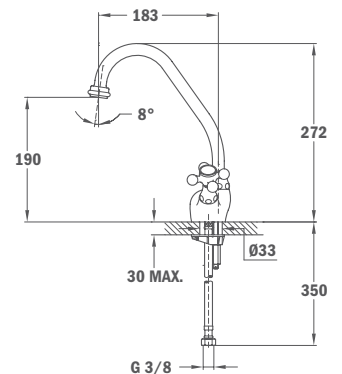
81.914.62



- BR**
- Swivel spout
  - Anti-scale aerator
  - Ceramic headparts 1/2 turn



56.9137.81



\* For 1/2" connection versions please check with your sales contact person.

# High Spout



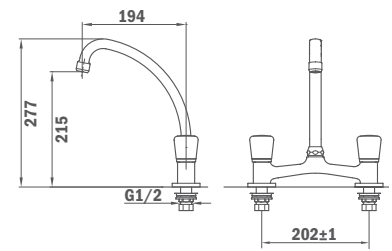
## LS 042

- 8" sink mixer
- Anti-scale aerator
- Swivel spout



## REF.

37.042.IM

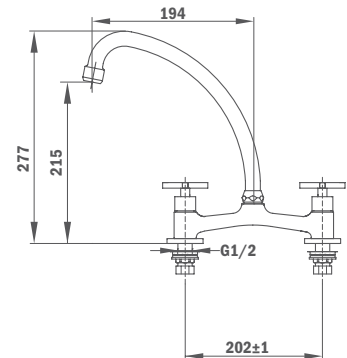


## Mallorca 042

- 8" sink mixer
- Anti-scale aerator
- Swivel spout



37.042.02.00

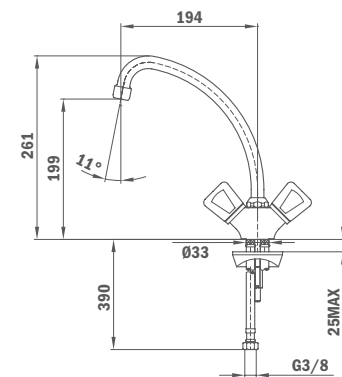


## LS 912

- Tubular swivel spout
- Anti-scale aerator
- Only available with 1/2" flexible pipes



37.9112.84

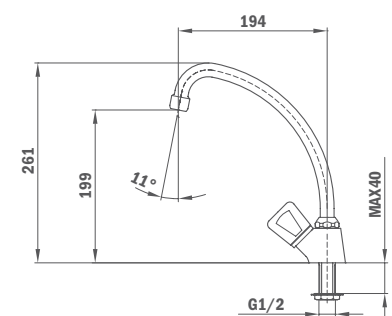


## LS 041

- Swivel spout
- Anti-scale aerator
- 3/8" flexible inlet pipes



16.041.84



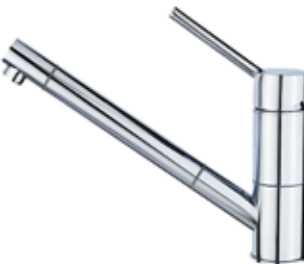


## PULL OUT LOW SPOUT



### VTK 978

- Metallic pull-out shower 1 function
- Swivel spout
- Anti-scale aerator
- 3/8" flexible inlet pipes



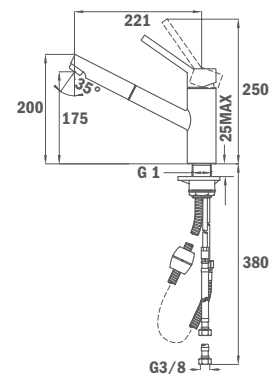
### AUK 978

- Swivel spout
- Pull-out shower 1 function
- New extra resistant flexible hose
- Anti-scale aerator
- 3/8" flexible inlet pipes

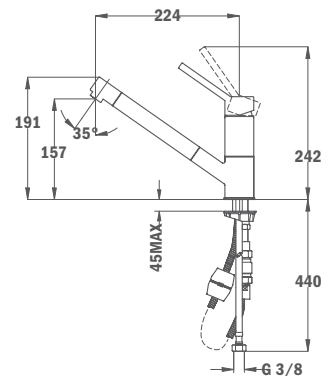


### REF.

24.978.02.00



50.978.02.00





# Pull out Low Spout



## AUK 978 (METALLIC BLACK)

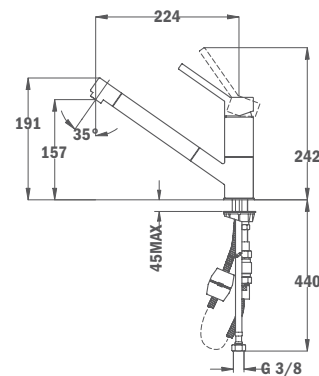
- Swivel spout
- Pull-out shower 1 function
- New extra resistant flexible hose
- Anti-scale aerator
- 3/8" flexible inlet pipes
- Synthetic granite cylinders

**Other available colors:**  
**Topaz Beige**  
**Sand Beige**



**REF.**

50.978.02.07



50.978.02.06

50.978.02.04

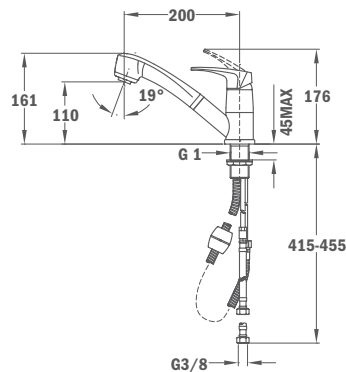


## MS1 EXT.

- Swivel spout
- Pull-out shower 2 functions
- 3/8" flexible inlet pipes
- Anti-scale aerator



40.978.02

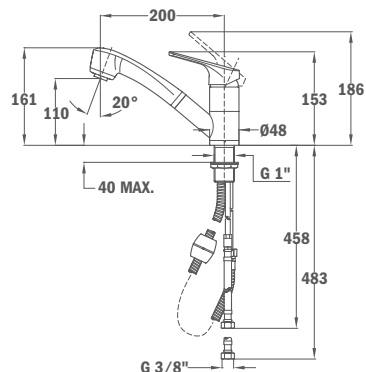


## MTP 978

- Swivel spout
- Pull-out shower 2 functions
- Anti-scale aerator
- 40mm cartridge
- 3/8" Flexible Inlet pipes



46.978.02.00



## MTP 978 (METALLIC BLACK)

- Swivel spout
- Pull-out shower 2 functions
- Anti-scale aerator
- 40mm cartridge
- 3/8" Flexible Inlet pipes

**Other available colors:**  
**Topaz Beige**  
**Sand Beige**  
**Alabaster**  
**Amber**  
**Quartz**  
**Vanilia**  
**Carbon**



46.978.02.0Q

46.978.02.0T

46.978.02.0S

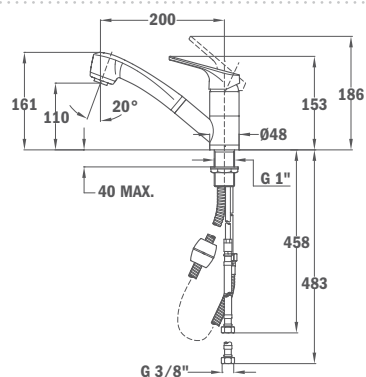
46.978.02.0VE

46.978.02.0SB

46.978.02.0QI

46.978.02.0VC

46.978.02.0CN



\* For 1/2" connection versions please check with your sales contact person.





# LOW SPOUT

## VTK 919

- Cast swivel spout
- Anti-scale aerator
- 3/8" flexible inlet pipes



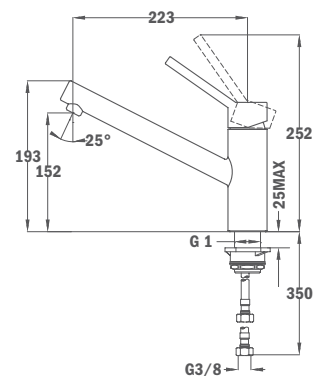
## AUK 913

- Swivel spout
- Anti-scale aerator
- 3/8" flexible inlet pipes

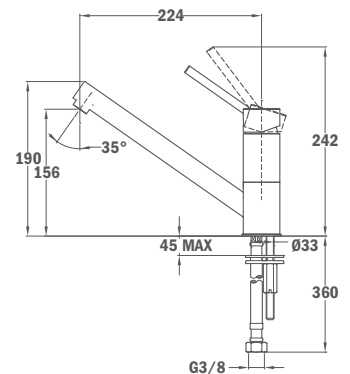


### REF.

24.919.02.00



50.913.02.00



\* For 1/2" connection versions please check with your sales contact person.



# Low Spout



## AUK 913 (METALLIC BLACK)

- Swivel spout
- Anti-scale aerator
- 3/8" flexible inlet pipes

### Other available colors:

**Topaz Beige**  
**Sand Beige**

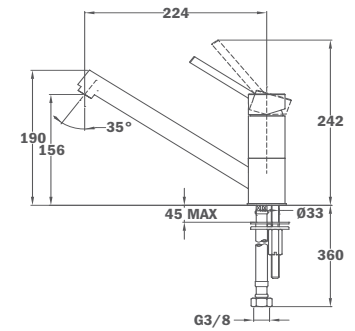


### REF.

50.913.02.07

50.913.02.06

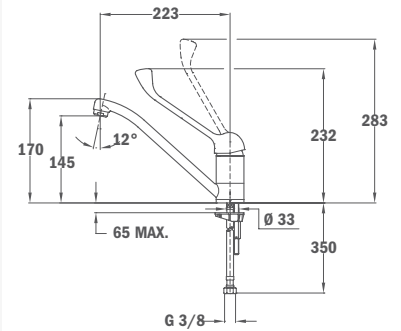
50.913.02.04



## MED 913

- Medical sink mixer
- Swivel Spout
- Anti-scale aerator
- 3/8" flexible input pipes
- Medical handle

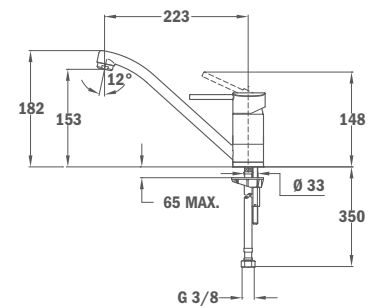
80.913.17



## AR 913

- Swivel spout
- 3/8" flexible inlet pipes
- Anti-scale aerator

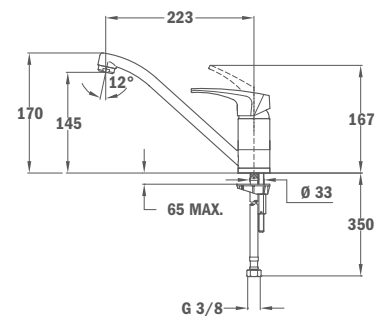
23.913.02.00



## MS1

- Swivel spout
- Anti-scale aerator
- 3/8" flexible inlet pipes

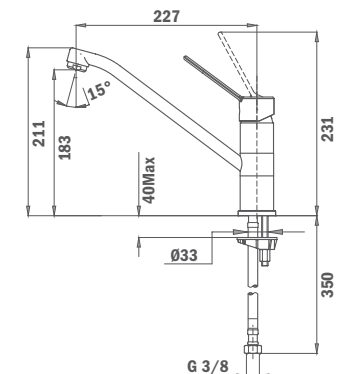
40.913.02



## MTP 993

- Swivel spout
- Anti-scale aerator integrated in the spout

46.993.45.00



\* For 1/2" connection versions please check with your sales contact person.

# Low Spout



**MTP 913**

- Swivel spout
- Anti-scale aerator
- 3/8" flexible inlet pipes



**MTP 913 (METALLIC BLACK)**

- Swivel spout
- Anti-scale aerator
- 3/8" flexible inlet pipes

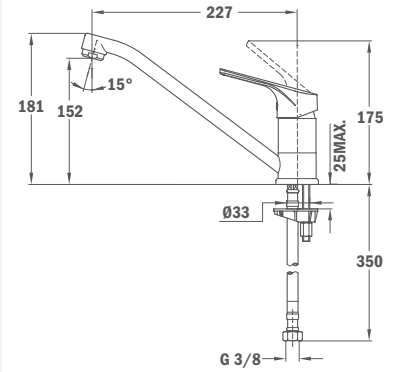
**Other available colors:**

- Topaz Beige**
- Sand Beige**
- Alabaster**
- Amber**
- Quartz**
- Vanilia**
- Carbon**

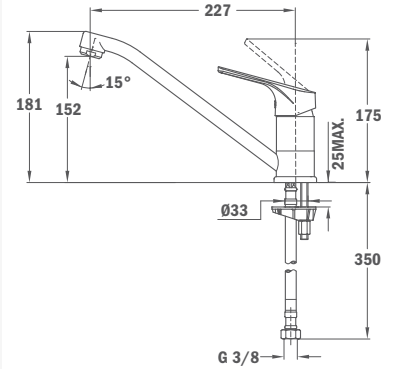


**REF.**

46.913.02.00



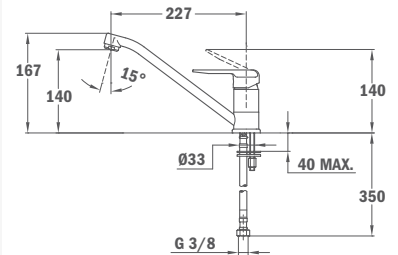
46.913.02.0Q



53.913.12

**IN 913**

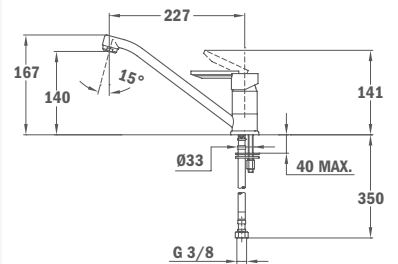
- Swivel spout
- Anti-scale aerator



81.913.62

**ML**

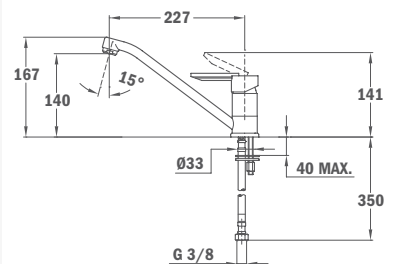
- Swivel spout
- Anti-scale aerator



81.913.62.0I

**ML I**

- Swivel spout
- Anti-scale aerator
- Stainless steel finish





# Low Spout

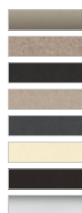


### ML (EVEREST)

- Swivel spout
- Anti-scale aerator

#### Other available colors:

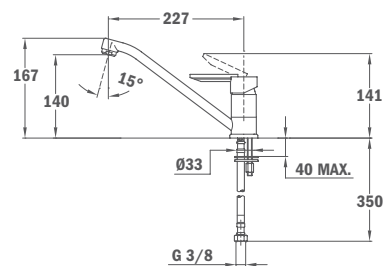
- Topaz Beige
- Sand Beige
- Metallic Black
- Amber
- Quartz
- Vanilia
- Carbon
- Matt Chrome



#### REF.

81.913.62.0VE

- 81.913.62.0T
- 81.913.62.0S
- 81.913.62.0Q
- 81.913.62.0SB
- 81.913.62.0QI
- 81.913.62.0VC
- 81.913.62.0CN
- 81.913.62.0C



# WALL MOUNTED SINK MIXERS



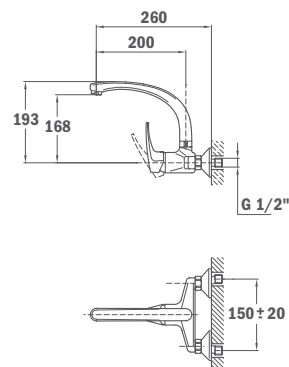
### MB2 024

- Wall mounted sink mixer
- Cast swivel spout 200mm
- Equipped with noise reducers
- Anti-scale aerator



#### REF.

40.024.02

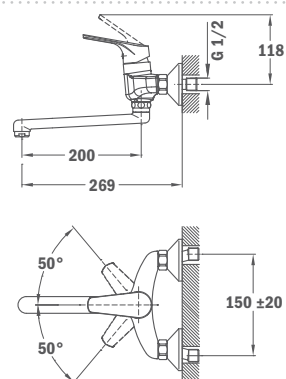


### MTP 025

- Wall mounted sink mixer
- Swivel spout 200mm
- Equipped with noise reducers
- Anti-scale aerator



46.025.02.00

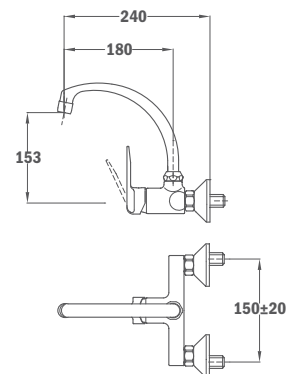


### IN 024

- Wall mounted sink mixer
- Swivel spout
- Equipped with noise reducers
- Anti-scale aerator



53.024.12



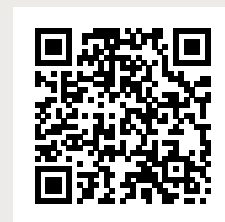




## SPARE PARTS

---

Please check the maintenance book by scanning the following QR code.



# GENERAL TERMS AND CONDITIONS OF SALE

## PRICES

Prices are subject to be adjusted according to varying circumstances regarding the raw material markets, labor, taxes, etc, and are those valid at the time of the order.

## ORDERS

Orders are considered conditional and subject, therefore, to our confirmation.

## PURCHASE ORDERS AND ORDER CONFIRMATIONS

On reception of a Purchase Order or Order Proposal, an Order Confirmation or Proforma Invoice will be issued, including all necessary data as stated by the ISO 9001 Norm. The order will be considered as correct and confirmed after:

- A: reception of a copy of the same Order Confirmation with the seal and/or signature of the ordering company (in case of special quotations) or
- B: after seven workdays from date of order confirmation without any reclamation from the ordering company regarding any irregularity in the document (in case of regular order).

## CANCELLATION OF ORDERS

Confirmed orders cannot be cancelled in the following cases:

- After products have been shipped
- In case of special products, once the manufacturing has commenced

## DESIGNS

Our models can be modified by design requirements, without prior acknowledgement, always for the sake of improvement.

## DELIVERY PERIODS

Our delivery periods are always approximate, and we are not responsible for the consequences of any delay.

## INSURANCE

Our merchandise always travels at buyer's own risk, even when on freight paid, insurance covering only orders when previously convened.

## RETURNS AND EXCHANGES

Returns and exchanges will not be admitted without prior consultation, and will always be resolved with maximum concern. From its amount, a percentage will be deducted, as previously agreed upon, not less than 10%, in consideration to reception, handling, and product testing fees. Freight and customs clearing expenses will be prepaid by the sender. Technically or commercially superseded materials will not be accepted.

## CLAIMS AND COMPLAINTS

We deal with utmost thoughtfulness with all claims formulated within ten days following the date of expedition.

## PAYMENT

The amount of an invoice, unless special agreements were made, will be cancelled through a 60 day money transfer in view of the invoice's date.

## RETENTION OF TITLE

Title to the Goods shall remain in the Seller until the purchase price has been paid in full and satisfactory received. Irrespective of the above, risk in the Goods shall pass to the Buyer upon delivery.

## GUARANTEE

According to the new Law of Guarantees, applicable since September 2003, when facing defects derived by the fabrication process, products will carry a two year guarantee. However, Teka Sanitary Systems maintains the 5 year guarantee that it has offered for many decades already, with the exception of superficial treatments that are not chrome, which will be 2 years, since they are related to external aggression related to hard or calcified waters. Showers, thermostatic mixers and electronic mixers hold a 2 year guarantee.

The rights offered by this guarantee are subject to the bill of sale and the guarantee card that accompanies every model. For this guarantee to be valid, the defect's acceptance by our Quality Department is necessary in each case. Our guarantee only covers the replacement, free of charge, and in no case are we to be held responsible for the damages directly or indirectly caused by its defect. Loose parts or parts that were chromed, painted or treated, and that were cleaned using aggressive products, or stained by inappropriate substances, are not covered by our guarantee.

## JURISDICTION

The good faith that presides over the relationships of Teka Sanitary Systems and its clients, and our desire to solve all divergences amicably, makes judicial claims unthinkable. Nevertheless, in this improbable case, both parts will be subject to Palma de Mallorca courts, renouncing to any other judicial forums.

## ACCEPTANCE OF CONDITIONS

All orders received imply the formal acceptance of these conditions, unless others were convened in writing.



**Thank you &** nice to meet you



[www.teka.com](http://www.teka.com)

